



Chipsmall Limited consists of a professional team with an average of over 10 year of expertise in the distribution of electronic components. Based in Hongkong, we have already established firm and mutual-benefit business relationships with customers from,Europe,America and south Asia,supplying obsolete and hard-to-find components to meet their specific needs.

With the principle of “Quality Parts,Customers Priority,Honest Operation,and Considerate Service”,our business mainly focus on the distribution of electronic components. Line cards we deal with include Microchip,ALPS,ROHM,Xilinx,Pulse,ON,Everlight and Freescale. Main products comprise IC,Modules,Potentiometer,IC Socket,Relay,Connector.Our parts cover such applications as commercial,industrial, and automotives areas.

We are looking forward to setting up business relationship with you and hope to provide you with the best service and solution. Let us make a better world for our industry!



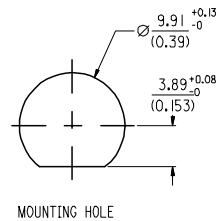
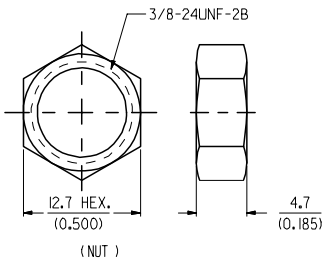
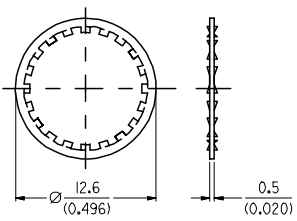
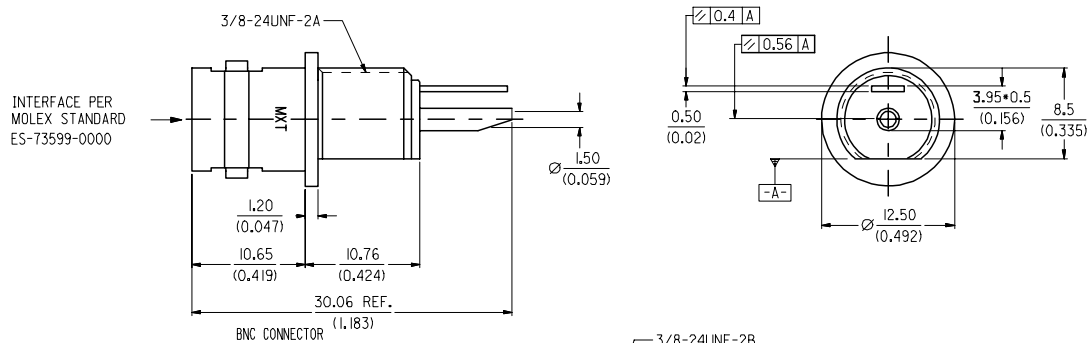
## Contact us

Tel: +86-755-8981 8866 Fax: +86-755-8427 6832

Email & Skype: info@chipsmall.com Web: www.chipsmall.com

Address: A1208, Overseas Decoration Building, #122 Zhenhua RD., Futian, Shenzhen, China





CONSTRUCTION:  
 CONNECTOR BODY-----BRASS  
 DIELECTRIC-----PLOY-BUTYLENE TEREPHTHALATE (WHITE COLOR)  
 CENTER CONTACT-----PHOSPHOR BRONZE  
 LOCK WASHER-----PHOSPHOR BRONZE  
 NUT-----BRASS

FINISH:  
 CONNECTOR BODY-----NICKEL PLATING  
 CENTER CONTACT-----GOLD PLATING (10µ)  
 LOCK WASHER-----NICKEL PLATING  
 NUT-----NICKEL PLATING

MECHANICAL & ELECTRIC CHARACTERISTICS:  
 PER PRODUCT SPECIFICATION PS-73598-0019

MATERIAL & FINISH:  
 PER PRODUCT SPECIFICATION PS-73598-0019

PACKAGING: INDIVIDUAL PACKAGING WITH PLASTIC BAGS

MAXIMUM PANEL THICKNESS: 2.66 mm  
 RECOMMENDED MOUNTING TORQUE: 4.5 INCH LBS MAX.

P/N: 73115-5003 BULK PACK  
 P/N: 73171-3130 IS SINGLE ASSEMBLY 73115-5003 IN BAG WITH LABEL

CHG: ADDED BAGGING OPTION. FC NO: URF2007-0455 DRAWN: ARROBERTSON 2007/05/14 CHKD: 2007/05/14 APPR: JIM EENER 2007/05/14 REVISION DESCRIPTION	QUALITY SYMBOLS	GENERAL TOLERANCES (UNLESS SPECIFIED)	DIMENSION STYLE	SCALE	DESIGN UNITS	THIRD ANGLE PROJECTION
	▽=0 ▽=0	mm INCH 4 PLACES ± --- ± --- 3 PLACES ± --- ± --- 2 PLACES ± --- ± --- 1 PLACE ± --- ± --- ANGULAR ±1/2°	MM/IN	---	METRIC	DRAWN BY DATE IRIS WANG 1990/12/28 CHECKED BY DATE 1990/12/28 APPROVED BY DATE 1990/12/28
		DRAFT WHERE APPLICABLE MUST REMAIN WITHIN DIMENSIONS	SEE TABLE	TITLE		50 OHM BNC JACK STR
				MATERIAL NO. DOCUMENT NO.		SD-73115-5003
			SIZE		1 OF 1	
			THIS DRAWING CONTAINS INFORMATION THAT IS PROPRIETARY TO MOLEX INCORPORATED AND SHOULD NOT BE USED WITHOUT WRITTEN PERMISSION			