



Chipsmall Limited consists of a professional team with an average of over 10 year of expertise in the distribution of electronic components. Based in Hongkong, we have already established firm and mutual-benefit business relationships with customers from,Europe,America and south Asia,supplying obsolete and hard-to-find components to meet their specific needs.

With the principle of “Quality Parts,Customers Priority,Honest Operation,and Considerate Service”,our business mainly focus on the distribution of electronic components. Line cards we deal with include Microchip,ALPS,ROHM,Xilinx,Pulse,ON,Everlight and Freescale. Main products comprise IC,Modules,Potentiometer,IC Socket,Relay,Connector.Our parts cover such applications as commercial,industrial, and automotives areas.

We are looking forward to setting up business relationship with you and hope to provide you with the best service and solution. Let us make a better world for our industry!



## Contact us

Tel: +86-755-8981 8866 Fax: +86-755-8427 6832

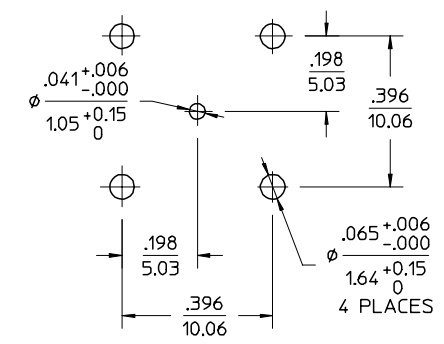
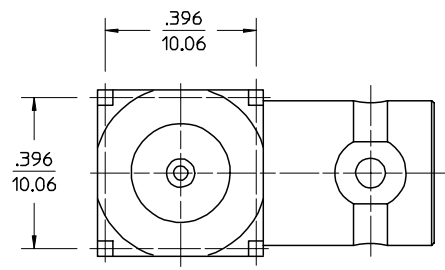
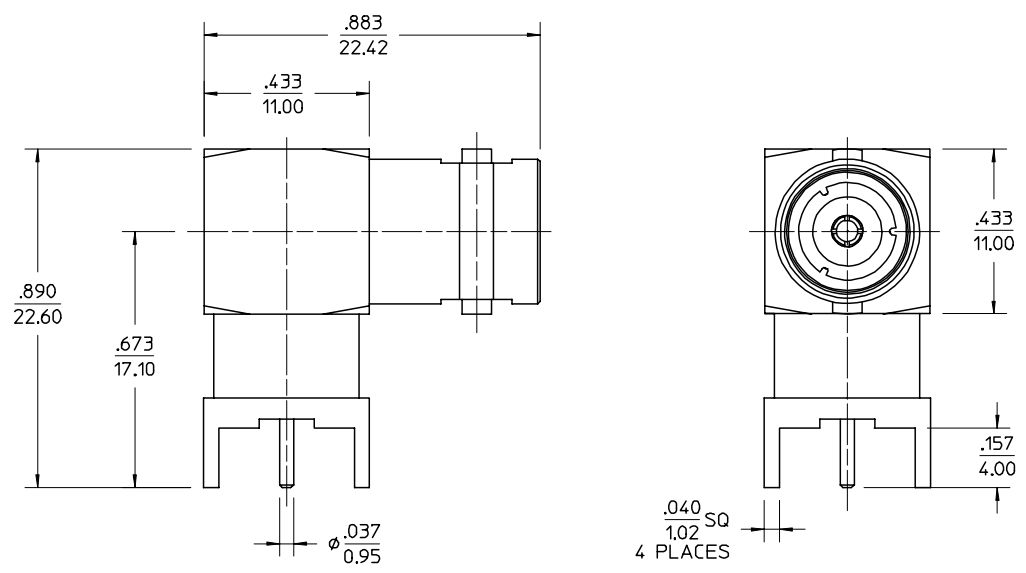
Email & Skype: info@chipsmall.com Web: www.chipsmall.com

Address: A1208, Overseas Decoration Building, #122 Zhenhua RD., Futian, Shenzhen, China



MATERIALS AND FINISHES

- BODY  
BRASS, NICKEL PLATED
- CENTER CONTACT  
BRASS OR PHOSPHOR BRONZE, GOLD PLATED
- INSULATOR  
TEFLON
- HOUSING  
BRASS, TIN/LEAD PLATED
- RETAINING RING  
BRASS, NICKEL PLATED



PART # 73131-0240

PS-73598-0050	ELECTRO/MECH PERFORMANCE
SPECIFICATION	DESCRIPTION

RECOMMENDED PCB HOLE CONFIGURATION

CHG: NEW RELEASE	EC NO. RF02-037	DESCRIPTION
	DRWN: LYNN 01/11/01	
A	CHK: BETTY 01/11/01	REV
	APPR: MISEN 01/11/01	

- UNLESS OTHERWISE SPECIFIED DIMS ARE INCHES AND ANGLES ARE DEGREES.
- ✓ 63 ALL OVER.
  - NO CHATTER OR NON-UNIFORM SURFACE FINISH ALLOWED.
  - PARTS TO BE FREE OF BURRS & SHARP EDGES .005 MAX BREAK.
  - EXTERNAL THREADS TO BE ROLLED OR SINGLE POINT.
  - DIAMETERS TO BE CONCENTRIC WITHIN .003 TIR.

QUALITY SYMBOLS	GENERAL TOLERANCES: (UNLESS SPECIFIED)	
	mm	INCH
MAJOR	4 PLACES	* — * —
	3 PLACES	* — * —
CRITICAL	2 PLACES	* .13 * —
	1 PLACE	* .25 * —
	ANGULAR: ±2°	
	DRAFT WHERE APPLICABLE MUST REMAIN WITHIN DIMENSIONS	

SCALE	DESIGN UNITS
	<input checked="" type="checkbox"/> mm <input type="checkbox"/> INCH
DRAWN BY & DATE	
LYNN LIN /00	
CHECKED BY & DATE	
APPROVED BY & DATE	
CAD FILENAME	

THIRD ANGLE PROJECTION	DIMENSIONS:	1	A
	<input type="checkbox"/> mm <input checked="" type="checkbox"/> INCH	SHT	REV
TITLE:		REVISE ON CAD ONLY	
50 OHM BNC JACK PCB			
BNC-J/PCB			
MOLEX MOLEX INCORPORATED - TAIWAN (MXT)			
MATERIAL NO.	DRAWING NO.	SHEET NO.	
SEE NOTE	SD-73131-024	1 of 1	
THIS DRAWING CONTAINS INFORMATION THAT IS PROPRIETARY TO MOLEX INCORPORATED AND SHOULD NOT BE USED WITHOUT WRITTEN PERMISSION.			SIZE
			B