



Chipsmall Limited consists of a professional team with an average of over 10 year of expertise in the distribution of electronic components. Based in Hongkong, we have already established firm and mutual-benefit business relationships with customers from,Europe,America and south Asia,supplying obsolete and hard-to-find components to meet their specific needs.

With the principle of “Quality Parts,Customers Priority,Honest Operation,and Considerate Service”,our business mainly focus on the distribution of electronic components. Line cards we deal with include Microchip,ALPS,ROHM,Xilinx,Pulse,ON,Everlight and Freescale. Main products comprise IC,Modules,Potentiometer,IC Socket,Relay,Connector.Our parts cover such applications as commercial,industrial, and automotives areas.

We are looking forward to setting up business relationship with you and hope to provide you with the best service and solution. Let us make a better world for our industry!



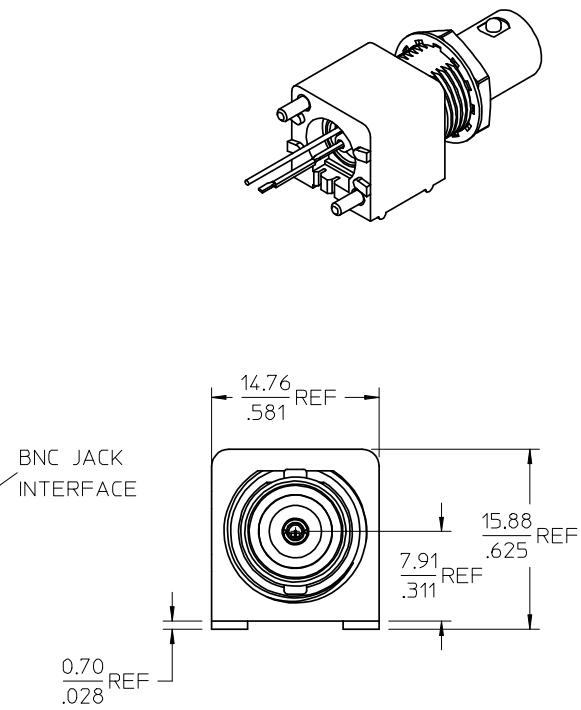
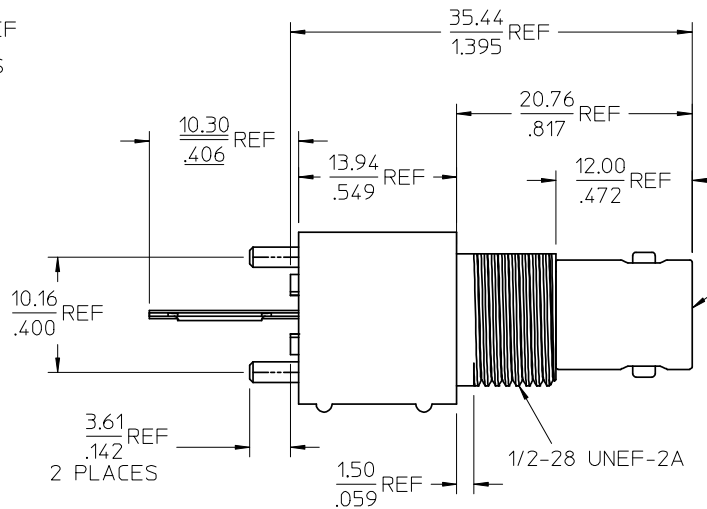
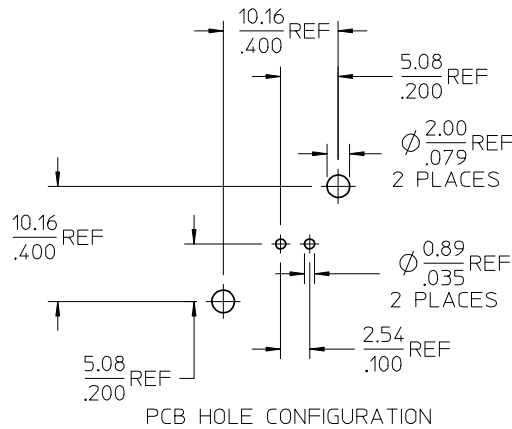
Contact us

Tel: +86-755-8981 8866 Fax: +86-755-8427 6832

Email & Skype: info@chipsmall.com Web: www.chipsmall.com

Address: A1208, Overseas Decoration Building, #122 Zhenhua RD., Futian, Shenzhen, China

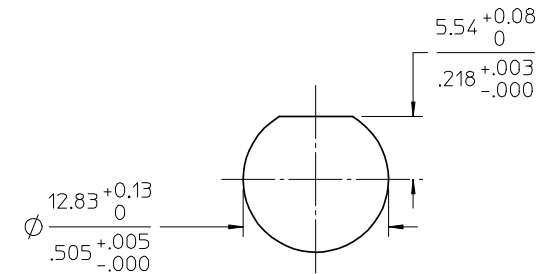
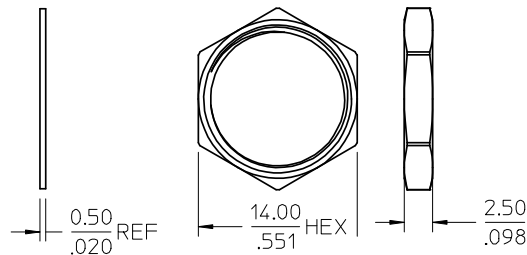
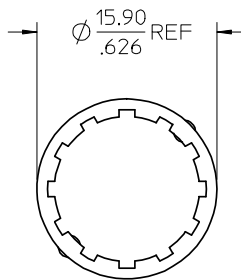




CONSTRUCTION:
 BODY ----- ZINC ALLOY
 HOUSING ----- POLYESTER BUTYLENE
 TEREPHTHALATE (BLACK)
 CENTER CONTACT -- PHOSPHOR BRONZE
 DIELECTRIC ----- POLYPROPYLENE (94V2)
 MOUNTING POST --- BRASS
 SOLDER TAIL ----- COPPER OVER STEEL WIRE
 LOCK WASHER ----- PHOSPHOR BRONZE
 NUT ----- BRASS

FINISH:
 BODY ----- NICKEL
 CENTER CONTACT -- GOLD
 SOLDER TAIL ----- TIN
 MOUNTING POST --- TIN
 LOCK WASHER ----- NICKEL
 NUT ----- NICKEL

PACKAGING ----- TRAY
 PART # 73131-5003



RECOMMENDED MOUNTING HOLE
 MAX PANEL THICKNESS: 5.5MM
 RECOMMENDED MOUNTING TORQUE:
 5 INCH-POUNDS MAX

PS-73598-0050	LOCKWASHER ELEC/MECH PERFORMANCE
SPECIFICATION	DESCRIPTION

CHG: REDREW IN SD & LOADED INTO WM, CORRECTED DIMENSIONS. EC NO: URF2008-0504 DRWN:AROBERTSON 2008/04/04 CHKD: 2008/04/04 APPR:JWIENER 2008/04/07	QUALITY SYMBOLS ▽=0 ▽=0	GENERAL TOLERANCES (UNLESS SPECIFIED)	DIMENSION STYLE MM/IN	SCALE	DESIGN UNITS METRIC	THIRD ANGLE PROJECTION
	D1	4 PLACES ± --- ± --- 3 PLACES ± --- ± --- 2 PLACES ± --- ± --- 1 PLACE ± --- ± --- ANGULAR ± 2 °	DRAWN BY DATE IRIS WANG 1991/01/21 CHECKED BY DATE APPROVED BY DATE	TITLE BNC, JACK PCB VERTICAL 50 OHM BNC-JACK	MATERIAL NO. 731315003	SHEET NO. 1 OF 1

DRAFT WHERE APPLICABLE MUST REMAIN WITHIN DIMENSIONS		MATERIAL NO. 731315003		DOCUMENT NO. SD-73131-5003		SHEET NO. 1 OF 1	
THIS DRAWING CONTAINS INFORMATION THAT IS PROPRIETARY TO MOLEX INCORPORATED AND SHOULD NOT BE USED WITHOUT WRITTEN PERMISSION							