



Chipsmall Limited consists of a professional team with an average of over 10 year of expertise in the distribution of electronic components. Based in Hongkong, we have already established firm and mutual-benefit business relationships with customers from,Europe,America and south Asia,supplying obsolete and hard-to-find components to meet their specific needs.

With the principle of “Quality Parts,Customers Priority,Honest Operation,and Considerate Service”,our business mainly focus on the distribution of electronic components. Line cards we deal with include Microchip,ALPS,ROHM,Xilinx,Pulse,ON,Everlight and Freescale. Main products comprise IC,Modules,Potentiometer,IC Socket,Relay,Connector.Our parts cover such applications as commercial,industrial, and automotives areas.

We are looking forward to setting up business relationship with you and hope to provide you with the best service and solution. Let us make a better world for our industry!



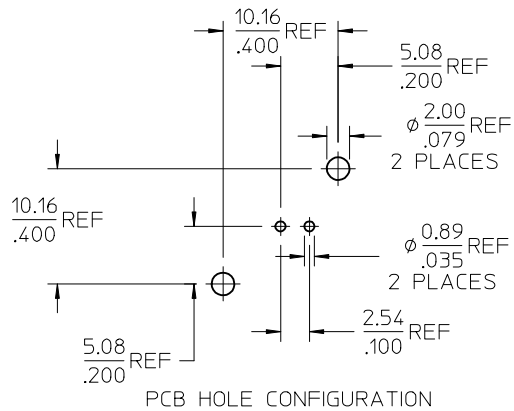
Contact us

Tel: +86-755-8981 8866 Fax: +86-755-8427 6832

Email & Skype: info@chipsmall.com Web: www.chipsmall.com

Address: A1208, Overseas Decoration Building, #122 Zhenhua RD., Futian, Shenzhen, China





CONSTRUCTION:

- BODY ----- ZINC ALLOY
- HOUSING ----- POLYESTER BUTYLENE TEREPHTHALATE (WHITE)
- CENTER CONTACT -- PHOSPHOR BRONZE
- DIELECTRIC ----- POLYPROPYLENE (94V0)
- MOUNTING POST --- BRASS
- SOLDER TAIL ----- COPPER OVER STEEL WIRE
- LOCK WASHER ----- PHOSPHOR BRONZE
- NUT ----- BRASS

FINISH:

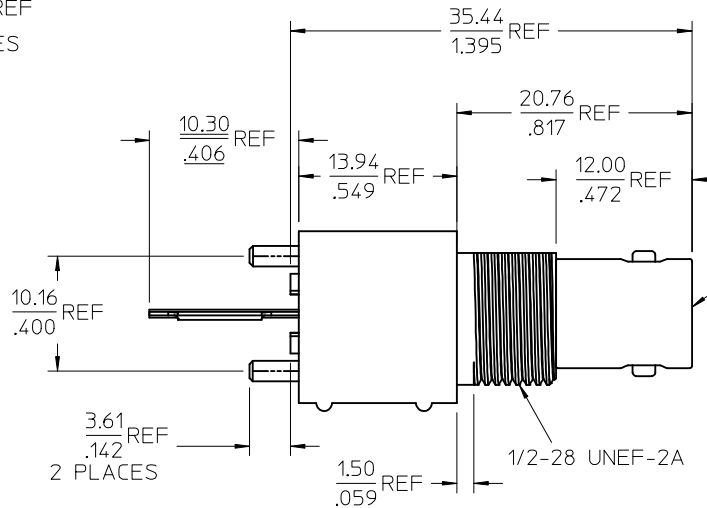
- BODY ----- NICKEL
- CENTER CONTACT -- GOLD
- SOLDER TAIL ----- TIN
- MOUNTING POST --- TIN
- LOCK WASHER ----- NICKEL
- NUT ----- NICKEL

PACKAGING ----- TRAY

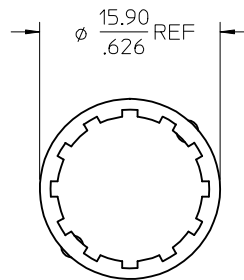
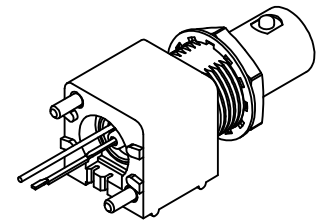
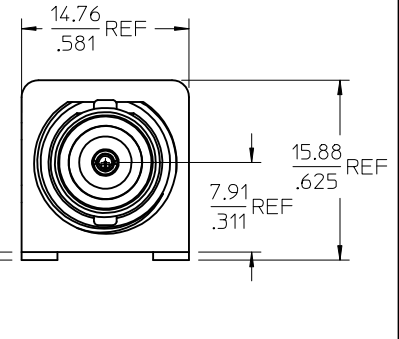
ENGINEERING SPEC

TEMPERATURE RATING: -55°C TO +85°C

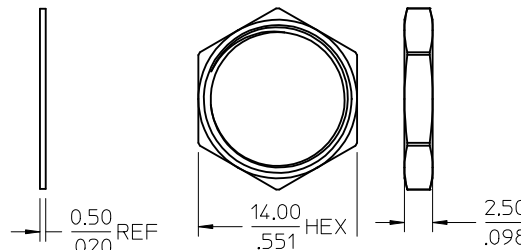
PART # 73131-5013



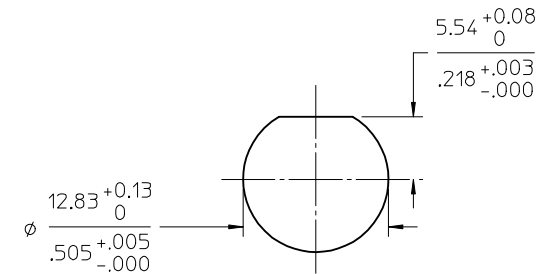
BNC JACK INTERFACE



LOCKWASHER



JAM NUT



RECOMMENDED MOUNTING HOLE
 MAX PANEL THICKNESS: 5.5MM
 RECOMMENDED MOUNTING TORQUE:
 5 INCH-POUNDS MAX

PS-73598-0061	ELEC/MECH PERFORMANCE
SPECIFICATION	DESCRIPTION

CHG: PS -61 WAS 50 PP (94V0 WAS 94V2) PER RF14-E113	EC NO: URF2014-0545	DRWN: CWE102	2014/04/02	CHKD: CHKD:	APPR: MHIUANG	2014/04/16	DESCRIPTION
E2							REV

QUALITY SYMBOLS 	GENERAL TOLERANCES (UNLESS SPECIFIED)	
	mm	INCH
	4 PLACES ± ---	± ---
	3 PLACES ± ---	± ---
	2 PLACES ± ---	± ---
	1 PLACE ± ---	± ---
	ANGULAR ± 2 °	
DRAFT WHERE APPLICABLE MUST REMAIN WITHIN DIMENSIONS		

DIMENSION STYLE MM/IN	
DRAWN BY IRIS WANG	DATE 1991/01/21
CHECKED BY	DATE
APPROVED BY	DATE
MATERIAL NO. 731315013	DOCUMENT NO. SD-73131-5013
SIZE C	THIS DRAWING CONTAINS INFORMATION THAT IS PROPRIETARY TO MOLEX INCORPORATED AND SHOULD NOT BE USED WITHOUT WRITTEN PERMISSION

SCALE METRIC	DESIGN UNITS METRIC	THIRD ANGLE PROJECTION
TITLE BNC, JACK PCB VERTICAL 50 OHM BNC-JACK		
MOLEX INCORPORATED		
SHEET NO. 1 OF 1		