



Chipsmall Limited consists of a professional team with an average of over 10 year of expertise in the distribution of electronic components. Based in Hongkong, we have already established firm and mutual-benefit business relationships with customers from,Europe,America and south Asia,supplying obsolete and hard-to-find components to meet their specific needs.

With the principle of “Quality Parts,Customers Priority,Honest Operation,and Considerate Service”,our business mainly focus on the distribution of electronic components. Line cards we deal with include Microchip,ALPS,ROHM,Xilinx,Pulse,ON,Everlight and Freescale. Main products comprise IC,Modules,Potentiometer,IC Socket,Relay,Connector.Our parts cover such applications as commercial,industrial, and automotives areas.

We are looking forward to setting up business relationship with you and hope to provide you with the best service and solution. Let us make a better world for our industry!



Contact us

Tel: +86-755-8981 8866 Fax: +86-755-8427 6832

Email & Skype: info@chipsmall.com Web: www.chipsmall.com

Address: A1208, Overseas Decoration Building, #122 Zhenhua RD., Futian, Shenzhen, China



MATERIALS AND FINISHES

SOLDER TAIL STEEL WIRE
PLATED TIN

BODY ZINC ALLOY
PLATED NICKEL

LOCKWASHER PHOSPHOR BRONZE
PLATED NICKEL

HOUSING PBT
COLOR BLACK

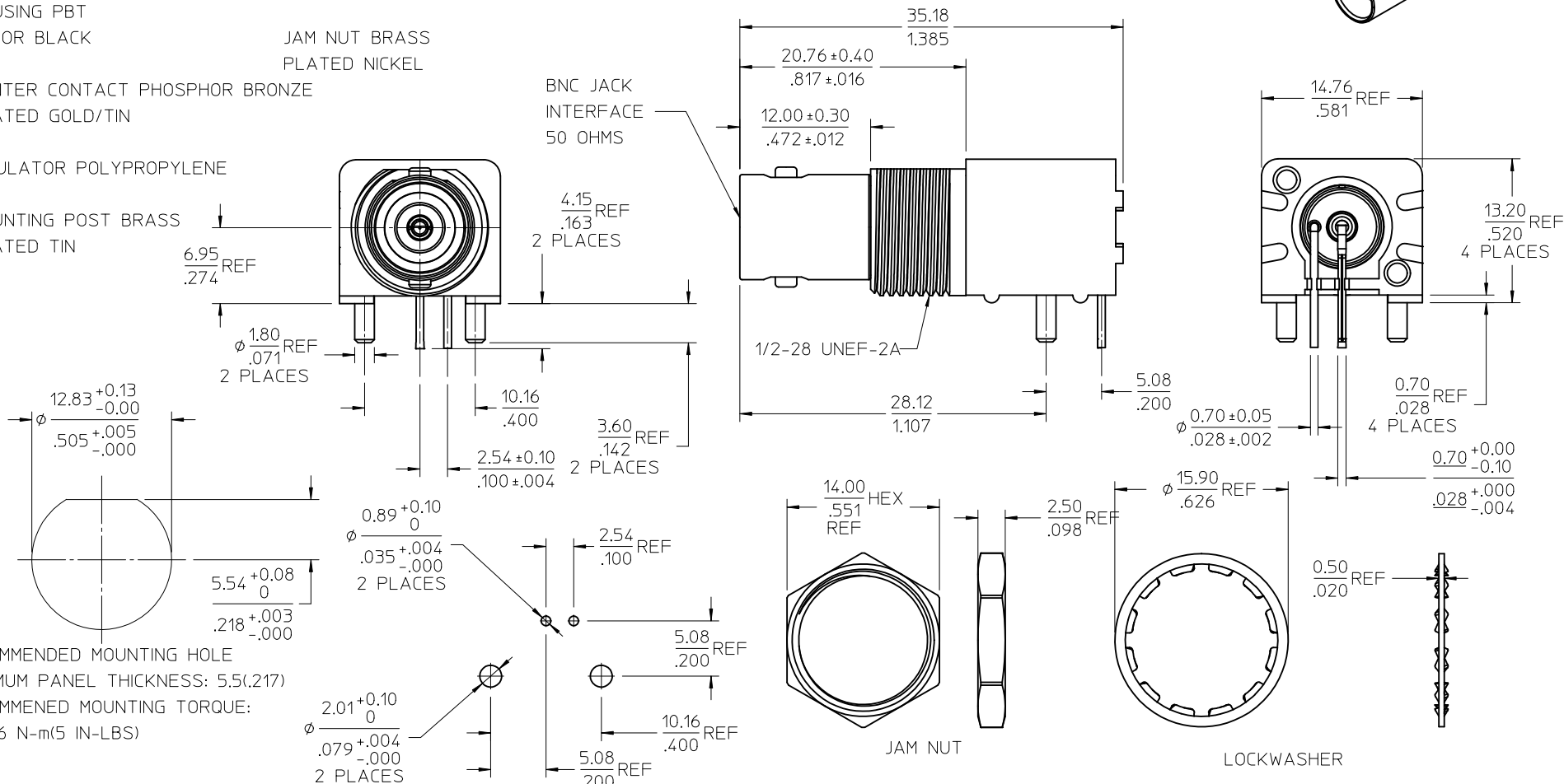
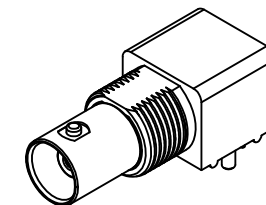
JAM NUT BRASS
PLATED NICKEL

CENTER CONTACT PHOSPHOR BRONZE
PLATED GOLD/TIN

BNC JACK
INTERFACE
50 OHMS

INSULATOR POLYPROPYLENE

MOUNTING POST BRASS
PLATED TIN



RECOMMENDED MOUNTING HOLE
MAXIMUM PANEL THICKNESS: 5.5(.217)
RECOMMENED MOUNTING TORQUE:
0.56 N-m(5 IN-LBS)

RECOMMENDED PCB LAYOUT

PS-89675-1030	ELECTRO/MECH PERFORM.
SPECIFICATION	DESCRIPTION

73171-4350	QTY (1) OF 73137-5003 IN SINGLE BAG WITH LABEL
73137-5003	BULK
PART NO.	PACKAGING

CHG: ADD 73171-4350 EC NO: URF2012-0448 DRWN: BOMALLEY 2012/01/18 CHKD: AZR 2012/01/18 APPR: JW IENER 2012/02/06	QUALITY SYMBOLS	GENERAL TOLERANCES (UNLESS SPECIFIED)	DIMENSION STYLE	SCALE	DESIGN UNITS	THIRD ANGLE PROJECTION
	▽=0 ▽=0	mm INCH	MM/IN	METRIC		

4 PLACES ± --- ± ---	BOMALLEY 2012/01/18	TITLE BNC JACK, R/A, PCB RECEPTACLE, 50 OHMS
3 PLACES ± --- ± ---	CHECKED BY DATE	
2 PLACES ± --- ± ---	AZR 2012/01/18	MOLEX INCORPORATED
1 PLACE ± --- ± ---	APPROVED BY DATE	
ANGULAR ± 2 °	JW IENER 2012/02/06	DOCUMENT NO. SD-73137-5003
DRAFT WHERE APPLICABLE MUST REMAIN WITHIN DIMENSIONS	SEE TABLE	SHEET NO. 1 OF 1
THIS DRAWING CONTAINS INFORMATION THAT IS PROPRIETARY TO MOLEX INCORPORATED AND SHOULD NOT BE USED WITHOUT WRITTEN PERMISSION		