



Chipsmall Limited consists of a professional team with an average of over 10 year of expertise in the distribution of electronic components. Based in Hongkong, we have already established firm and mutual-benefit business relationships with customers from,Europe,America and south Asia,supplying obsolete and hard-to-find components to meet their specific needs.

With the principle of “Quality Parts,Customers Priority,Honest Operation,and Considerate Service”,our business mainly focus on the distribution of electronic components. Line cards we deal with include Microchip,ALPS,ROHM,Xilinx,Pulse,ON,Everlight and Freescale. Main products comprise IC,Modules,Potentiometer,IC Socket,Relay,Connector.Our parts cover such applications as commercial,industrial, and automotives areas.

We are looking forward to setting up business relationship with you and hope to provide you with the best service and solution. Let us make a better world for our industry!



Contact us

Tel: +86-755-8981 8866 Fax: +86-755-8427 6832

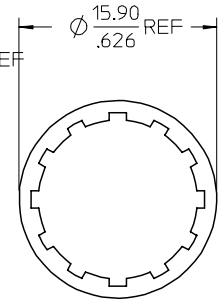
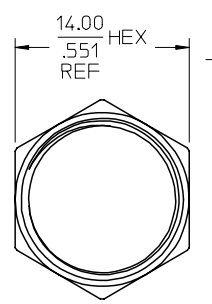
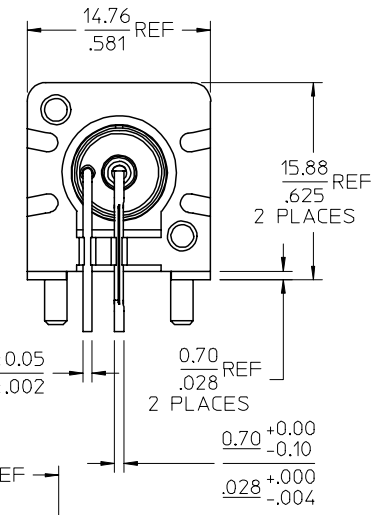
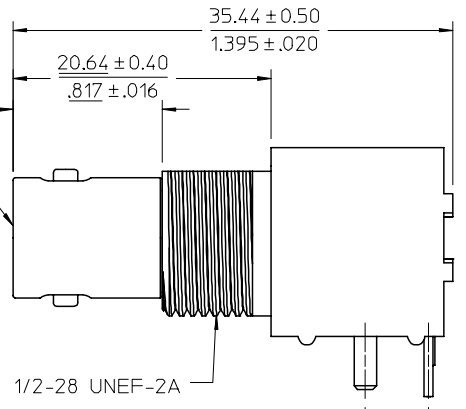
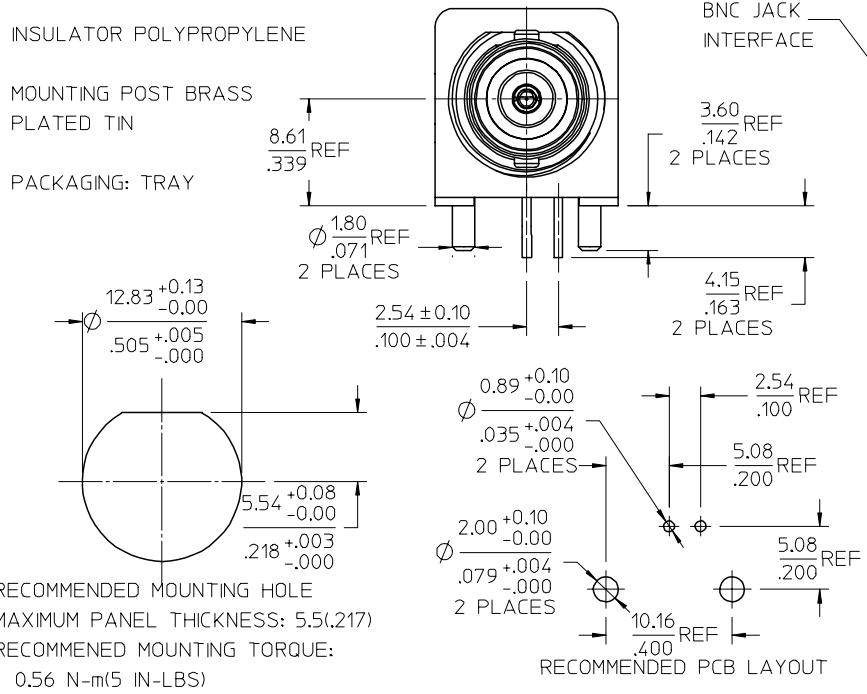
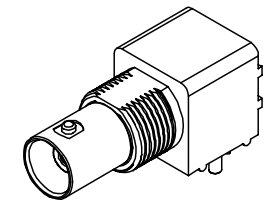
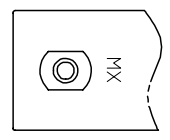
Email & Skype: info@chipsmall.com Web: www.chipsmall.com

Address: A1208, Overseas Decoration Building, #122 Zhenhua RD., Futian, Shenzhen, China



13 12 11 10 9 8 7 6 5 4 3 2 1

MATERIALS AND FINISHES
 SOLDER TAIL STEEL WIRE
 PLATED TIN
 BODY ZINC ALLOY
 PLATED NICKEL
 LOCKWASHER PHOSPHOR BRONZE
 PLATED NICKEL
 HOUSING PBT
 COLOR BLACK
 JAM NUT BRASS
 PLATED NICKEL
 CENTER CONTACT PHOSPHOR BRONZE
 PLATED GOLD/TIN
 INSULATOR POLYPROPYLENE
 MOUNTING POST BRASS
 PLATED TIN
 PACKAGING: TRAY



PART # 73138-5003

PS-73598-0077	ELECTRO/MECH PERFORM.
SPECIFICATION	DESCRIPTION

CHG: REDREW IN SD
 MATERIAL FOR
 HOUSING WAS VALOX
 MATERIAL FOR
 SOLDER TAIL WAS
 BRASS
 FC NO: URF2008-0039
 DRWN: FLAHERTY 2007/07/23
 CHKD: SHAH 2007/07/23
 APPR: JIMENER 2007/07/23

QUALITY SYMBOLS

GENERAL TOLERANCES (UNLESS SPECIFIED)	
4 PLACES ±	±
3 PLACES ±	±
2 PLACES ±	±
1 PLACE ±	±
ANGULAR ± 2 °	
DRAFT WHERE APPLICABLE MUST REMAIN WITHIN DIMENSIONS	

DIMENSION STYLE	
MM/IN	
DRAWN BY	DATE
LILY	1992/01/23
CHECKED BY	DATE
DENG	1992/01/23
APPROVED BY	DATE

SCALE	DESIGN UNITS	THIRD ANGLE PROJECTION
	METRIC	
BNC JACK, R/A PCB 50 OHMS, EWR-2081 BNC-J/BLK/PCB		
MOLEX INCORPORATED		
MATERIAL NO.	DOCUMENT NO.	SHEET NO.
731385003	SD-73138-5003	1 OF 1
THIS DRAWING CONTAINS INFORMATION THAT IS PROPRIETARY TO MOLEX INCORPORATED AND SHOULD NOT BE USED WITHOUT WRITTEN PERMISSION		

12 11 10 9 8 7 6 5 4 3 2 1