



Chipsmall Limited consists of a professional team with an average of over 10 year of expertise in the distribution of electronic components. Based in Hongkong, we have already established firm and mutual-benefit business relationships with customers from,Europe,America and south Asia,supplying obsolete and hard-to-find components to meet their specific needs.

With the principle of "Quality Parts,Customers Priority,Honest Operation,and Considerate Service",our business mainly focus on the distribution of electronic components. Line cards we deal with include Microchip,ALPS,ROHM,Xilinx,Pulse,ON,Everlight and Freescale. Main products comprise IC,Modules,Potentiometer,IC Socket,Relay,Connector.Our parts cover such applications as commercial,industrial, and automotives areas.

We are looking forward to setting up business relationship with you and hope to provide you with the best service and solution. Let us make a better world for our industry!



Contact us

Tel: +86-755-8981 8866 Fax: +86-755-8427 6832

Email & Skype: info@chipsmall.com Web: www.chipsmall.com

Address: A1208, Overseas Decoration Building, #122 Zhenhua RD., Futian, Shenzhen, China



MATERIALS AND FINISHES

BODY: ZINC ALLOY
PLATED NICKEL

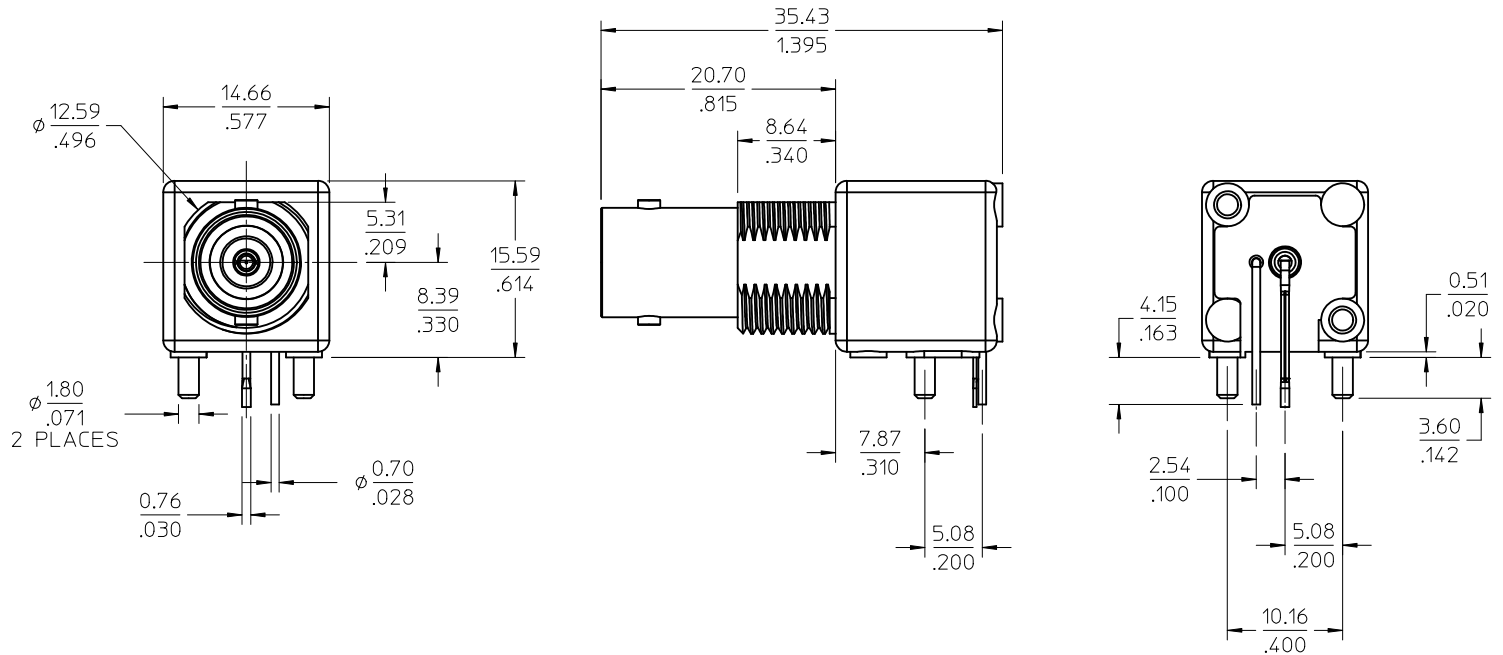
CONTACT: PHOSPHOR BRONZE
PLATED GOLD

INSULATOR: POLYPROPYLENE (94 V-2)

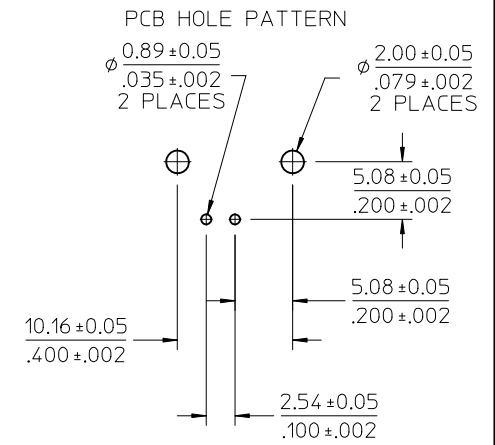
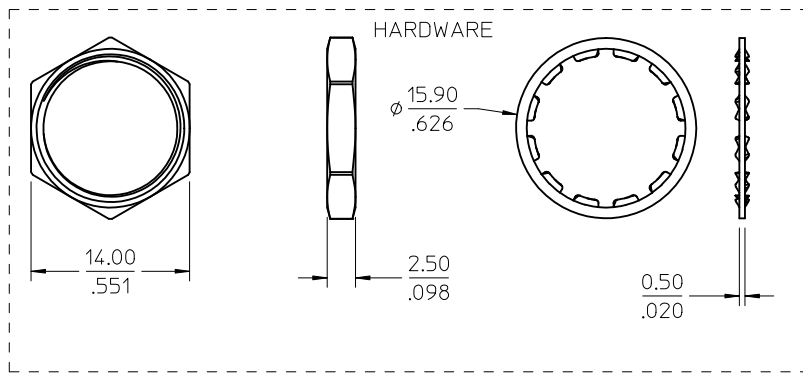
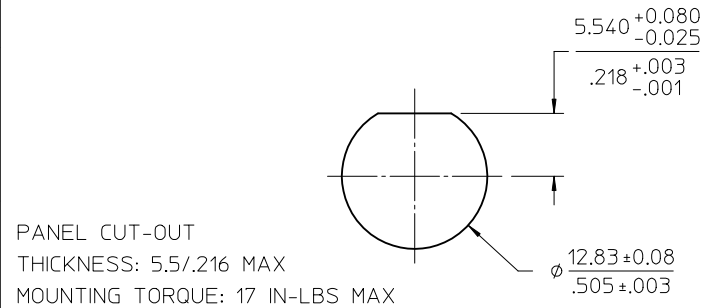
MOUNTING POST: BRASS
PLATED TIN

JAM NUT: BRASS
PLATED NICKEL

SOLDER TAIL: COPPER COVERED STEEL
PLATED TIN



73171-4360	INCLUDED	QTY (1) OF 73138-5033 IN SINGLE BAG WITH LABEL
73171-3720	NOT INCLUDED	BULK (TRAY)
73138-5033	INCLUDED	BULK (TRAY)
PART NO.	HARDWARE	PACKAGING



PS-89675-1030	ELEC/MECH PERFORMANCE
SPECIFICATION	DESCRIPTION

CHG: ADD 73171-4360 AND LABEL	EC NO: URF2012-0448	QUALITY SYMBOLS	GENERAL TOLERANCES (UNLESS SPECIFIED)	DIMENSION STYLE	SCALE	DESIGN UNITS	THIRD ANGLE PROJECTION
DRWN: BOMALLEY	2012/01/25	▽=0	mm	MM/IN	METRIC		
CHKD: AZR	2012/02/01	▽=0	INCH				
APPR: JWIENER	2012/02/06		4 PLACES ± --- ± ---	DRAWN BY	DATE	TITLE	
			3 PLACES ± --- ± ---	IRIS WANG	1991/02/26	BNC JACK RA BULKHEAD	
			2 PLACES ± --- ± ---	CHECKED BY	DATE	DIECAST 50 OHM	
			1 PLACE ± --- ± ---	IRIS WANG	1991/02/26	BNC-J/PCB	
			ANGULAR ± 2 °	APPROVED BY	DATE	MOLEX INCORPORATED	
				R FIELDS	1991/02/26	MOLEX INCORPORATED	
				MATERIAL NO.		DOCUMENT NO.	
						SD-73138-5033	
						SHEET NO.	
						1 OF 1	