



Chipsmall Limited consists of a professional team with an average of over 10 year of expertise in the distribution of electronic components. Based in Hongkong, we have already established firm and mutual-benefit business relationships with customers from,Europe,America and south Asia,supplying obsolete and hard-to-find components to meet their specific needs.

With the principle of “Quality Parts,Customers Priority,Honest Operation,and Considerate Service”,our business mainly focus on the distribution of electronic components. Line cards we deal with include Microchip,ALPS,ROHM,Xilinx,Pulse,ON,Everlight and Freescale. Main products comprise IC,Modules,Potentiometer,IC Socket,Relay,Connector.Our parts cover such applications as commercial,industrial, and automotives areas.

We are looking forward to setting up business relationship with you and hope to provide you with the best service and solution. Let us make a better world for our industry!



Contact us

Tel: +86-755-8981 8866 Fax: +86-755-8427 6832

Email & Skype: info@chipsmall.com Web: www.chipsmall.com

Address: A1208, Overseas Decoration Building, #122 Zhenhua RD., Futian, Shenzhen, China



MATERIALS AND FINISHES

BODY, OUTER CONTACT, WASHER, RETAINING RING BRASS
PLATED NICKEL

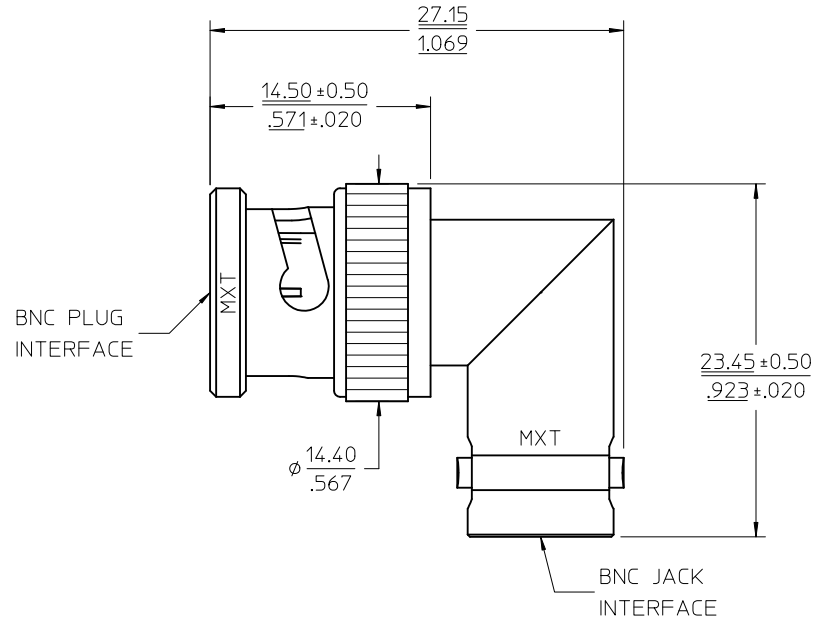
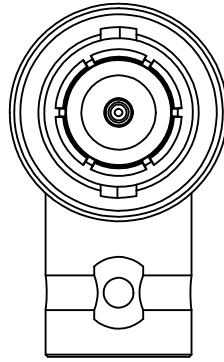
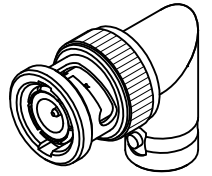
CENTER CONTACT (PLUG)-BRASS, (JACK)-PHOSPHOR BRONZE
PLATED GOLD

INSULATOR POLYPROPYLENE

COUPLING NUT ZINC ALLOY
PLATED NICKEL

GASKET SILICONE RUBBER

SPRING WASHER BERYLLIUM COPPER



PS-73598-0122	ELEC/MECH SPECIFICATION
ES-73599-0000	INTERFACE PLUG & JACK SPECIFICATION
	DESCRIPTION

73151-5003	BULK
PART NO.	PACKAGING

CHG: UPDATED VIEW PER RF12-E016	EC NO: URF2012-0131	2011/09/13
DRW:YRHEH	CHKD:	
APPR:MHUANG	DESCRIPTION	2011/10/03
REV: B3		

QUALITY SYMBOLS ▽=0 ▽=0	GENERAL TOLERANCES (UNLESS SPECIFIED)	
	mm	INCH
	4 PLACES	± --- ± ---
	3 PLACES	± --- ± ---
	2 PLACES	± --- ± ---
	1 PLACE	± --- ± ---
	ANGULAR ± 2 °	
DRAFT WHERE APPLICABLE MUST REMAIN WITHIN DIMENSIONS		

DIMENSION STYLE MM/IN	
DRAWN BY	DATE
IRIS WANG	1991/01/21
CHECKED BY	DATE
KERRIE	2011/09/13
APPROVED BY	DATE
MATERIAL NO.	DOCUMENT NO.
SEE TABLE	SD-73151-5003
SIZE	
C	

SCALE	DESIGN UNITS	THIRD ANGLE PROJECTION
	METRIC	
TITLE BNC JACK TO PLUG R/A ADAPTER		
MOLEX INCORPORATED		
SHEET NO.		1 OF 1
THIS DRAWING CONTAINS INFORMATION THAT IS PROPRIETARY TO MOLEX INCORPORATED AND SHOULD NOT BE USED WITHOUT WRITTEN PERMISSION		