



Chipsmall Limited consists of a professional team with an average of over 10 year of expertise in the distribution of electronic components. Based in Hongkong, we have already established firm and mutual-benefit business relationships with customers from,Europe,America and south Asia,supplying obsolete and hard-to-find components to meet their specific needs.

With the principle of "Quality Parts,Customers Priority,Honest Operation,and Considerate Service",our business mainly focus on the distribution of electronic components. Line cards we deal with include Microchip,ALPS,ROHM,Xilinx,Pulse,ON,Everlight and Freescale. Main products comprise IC,Modules,Potentiometer,IC Socket,Relay,Connector.Our parts cover such applications as commercial,industrial, and automotives areas.

We are looking forward to setting up business relationship with you and hope to provide you with the best service and solution. Let us make a better world for our industry!



Contact us

Tel: +86-755-8981 8866 Fax: +86-755-8427 6832

Email & Skype: info@chipsmall.com Web: www.chipsmall.com

Address: A1208, Overseas Decoration Building, #122 Zhenhua RD., Futian, Shenzhen, China



MATERIALS AND FINISHES

BODY: BRASS
PLATED TRI-M

CONTACT: BRASS
PLATED SILVER

INSULATOR: TEFLON

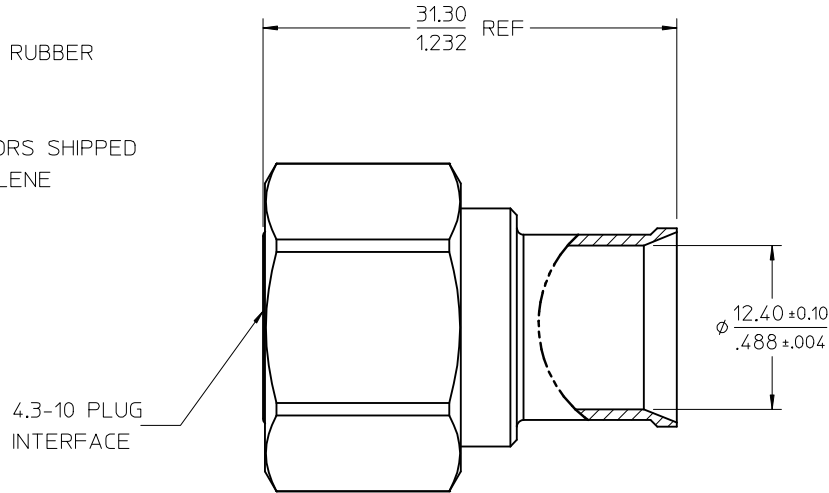
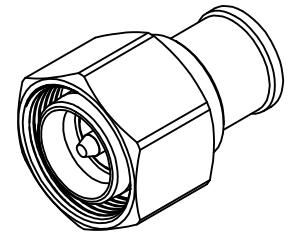
COUPLING NUT: BRASS
PLATED NICKEL

O-RING: SILICONE RUBBER

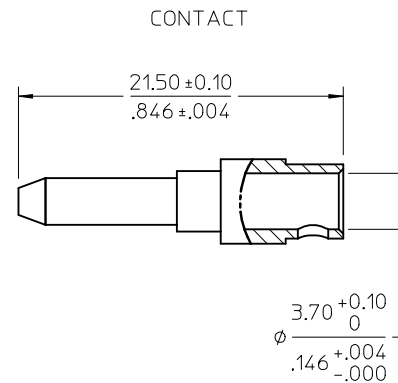
NOTE: CONNECTORS SHIPPED
WITH POLYETHYLENE
DUST CAP

PERFORMANCE REQUIREMENTS:

FREQUENCY RANGE: 0-6GHz
IMPEDANCE: 50 OHM
WITHSTAND VOLTAGE(AC): 2500V @0.5mA
VSWR: ≤1.10(0-3GHz)
PIM3(2x20W): ≤-165dBc@1800MHz
WATER-PROOF: IP68 WHEN MATED

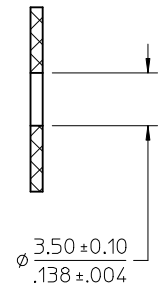


4.3-10 PLUG
INTERFACE



CONTACT

INSULATOR SPACER

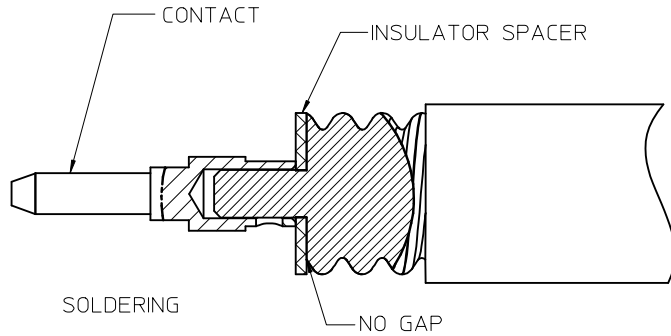


73162-6151	ONE PIECE PER CARTON
73162-6150	BLANK
PART NO.	PACKAGING

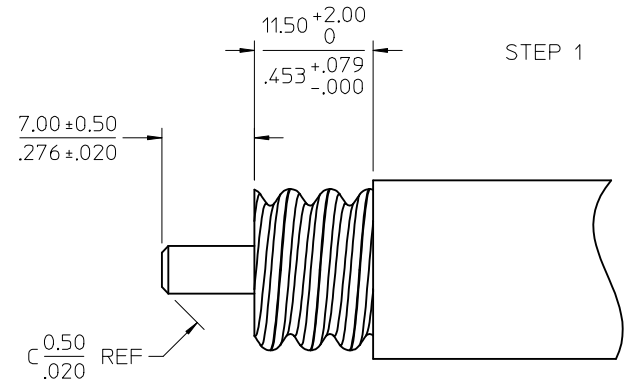
IEC61169-54	INTERFACE
SPECIFICATION	DESCRIPTION

CHG: ADD DUST CAP AND PACKAGING PIM3 -165dBc WAS -160dBc P.N.73162 WAS 73134 EC NO: URF2016-0691 DRWN:YHUANG11 2016/04/14 CHKD: APPR:MYE08 2016/04/20 REV: A1	QUALITY SYMBOLS ∇=0 ∇=0 ∇=0	GENERAL TOLERANCES (UNLESS SPECIFIED) mm INCH 4 PLACES ± --- ± --- 3 PLACES ± --- ± --- 2 PLACES ± --- ± --- 1 PLACE ± --- ± --- 0 PLACE ± --- ± --- ANGULAR ± 2°	DIMENSION STYLE MM/IN DRAWN BY YHUANG11 DATE 2015/12/03 CHECKED BY MXU11 DATE 2015/12/03 APPROVED BY MYE08 DATE 2016/02/01	SCALE DESIGN UNITS METRIC THIRD ANGLE PROJECTION	TITLE 4.3-10 PLUG STR,50 OHM FOR 1/2SF CA, SOLDERING 4.3-10-PS,WRENCH-TIGHT molex DOCUMENT NO. SD-73162-615 SHEET NO. 1 OF 2	
	DRAFT WHERE APPLICABLE MUST REMAIN WITHIN DIMENSIONS		MATERIAL NO. SEE TABLE	THIS DRAWING CONTAINS INFORMATION THAT IS PROPRIETARY TO MOLEX INCORPORATED AND SHOULD NOT BE USED WITHOUT WRITTEN PERMISSION		
			SIZE C			

STEP 2

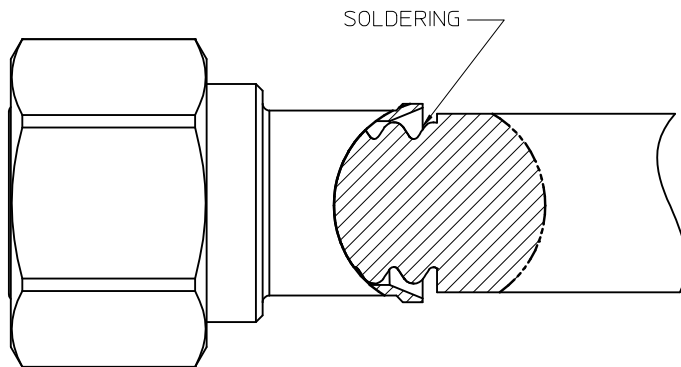


STEP 1



1/2SF CABLE
RECOMMENDED STRIPPING DIMENSION

STEP 3



IF USE SHRINK TUBE
PLACE IT ONTO CABLE BEFORE
SOLDER CONNECTOR BODY TO
CABLE OUTER CONDUCTOR

CHG: SEE SHEET 1 EC NO: URF2016-0691 DRWN:YHUANG11 2016/04/14 CHKD: APPR:MYE08 2016/04/20	QUALITY SYMBOLS	GENERAL TOLERANCES (UNLESS SPECIFIED)	DIMENSION STYLE	SCALE	DESIGN UNITS	THIRD ANGLE PROJECTION	
	▽=0	mm INCH	MM/IN		METRIC		
	▽=0	4 PLACES ± --- ± ---	DRAWN BY DATE	TITLE			
	▽=0	3 PLACES ± --- ± ---	CHECKED BY DATE				
		ANGULAR ± 2°	APPROVED BY DATE				
		DRAFT WHERE APPLICABLE MUST REMAIN WITHIN DIMENSIONS	MATERIAL NO.	DOCUMENT NO.		SHEET NO.	
A1			SEE TABLE			2 OF 2	
			THIS DRAWING CONTAINS INFORMATION THAT IS PROPRIETARY TO MOLEX INCORPORATED AND SHOULD NOT BE USED WITHOUT WRITTEN PERMISSION				

4.3-10 PLUG STR,50 OHM
FOR 1/2SF CA, SOLDERING
4.3-10-PS,WRENCH-TIGHT

molex

SD-73162-615