



Chipsmall Limited consists of a professional team with an average of over 10 year of expertise in the distribution of electronic components. Based in Hongkong, we have already established firm and mutual-benefit business relationships with customers from,Europe,America and south Asia,supplying obsolete and hard-to-find components to meet their specific needs.

With the principle of "Quality Parts,Customers Priority,Honest Operation,and Considerate Service",our business mainly focus on the distribution of electronic components. Line cards we deal with include Microchip,ALPS,ROHM,Xilinx,Pulse,ON,Everlight and Freescale. Main products comprise IC,Modules,Potentiometer,IC Socket,Relay,Connector.Our parts cover such applications as commercial,industrial, and automotives areas.

We are looking forward to setting up business relationship with you and hope to provide you with the best service and solution. Let us make a better world for our industry!



Contact us

Tel: +86-755-8981 8866 Fax: +86-755-8427 6832

Email & Skype: info@chipsmall.com Web: www.chipsmall.com

Address: A1208, Overseas Decoration Building, #122 Zhenhua RD., Futian, Shenzhen, China



MATERIALS AND FINISHES

BODY: BRASS
PLATED TRI-M

CONTACT: BRASS
PLATED SILVER

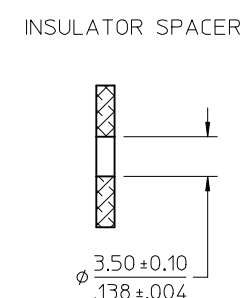
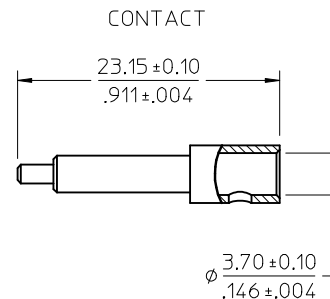
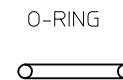
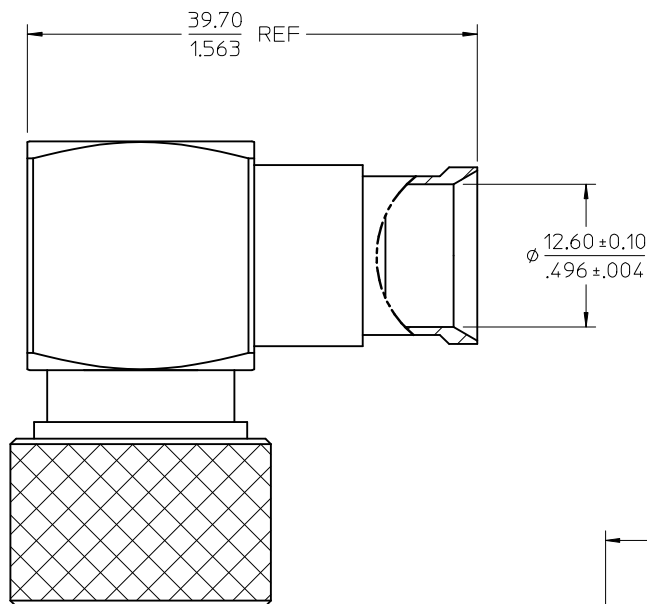
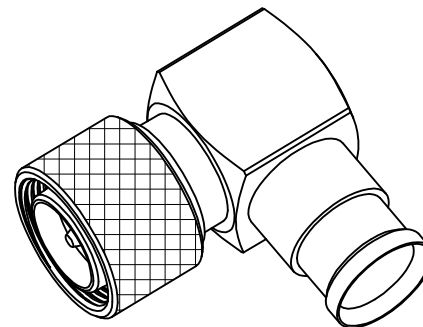
INSULATOR: TEFLON

COUPLING NUT: BRASS
PLATED NICKEL

O-RING: SILICONE RUBBER

PERFORMANCE REQUIREMENTS:

FREQUENCY RANGE: 0-6GHz
IMPEDANCE: 50 OHM
WITHSTAND VOLTAGE(AC): 2500V @0,5mA
VSWR: ≤1.10(0-3GHz)
PIM3(2x20W): ≤-160dBc@1800MHz
WATER-PROOF: IP68 WHEN MATED



| | | |
|------------|----------------------|----------|
| 73162-6182 | ONE PIECE PER CARTON | NO |
| 73162-6181 | ONE PIECE PER CARTON | YES |
| 73162-6180 | BLANK | NO |
| PART NO. | PACKAGING | DUST CAP |

| | |
|---------------|-------------|
| IEC61169-54 | INTERFACE |
| SPECIFICATION | DESCRIPTION |

CHG DRAWING UPDATE
39.70 WAS 41.20, ADD
NEW PN. 73162-6182

EC NO: URF2016-0700
DRAWN: YHUANG11 2017/01/13
CHKD:
APPR: MYE08 2017/03/03

| REV | DESCRIPTION |
|-----|-------------|
| | |
| | |
| | |
| A2 | |

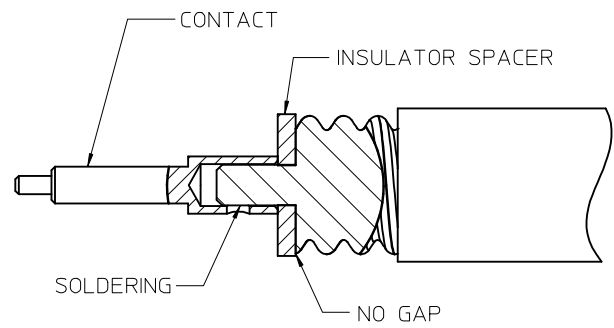
| QUALITY SYMBOLS | |
|--|--------|
| | =0 |
| | =0 |
| | =0 |
| GENERAL TOLERANCES (UNLESS SPECIFIED) | |
| 4 PLACES | ± .005 |
| 3 PLACES | ± .004 |
| 2 PLACES | ± .003 |
| 1 PLACE | ± .002 |
| 0 PLACE | ± .001 |
| ANGULAR ± 2° | |
| DRAFT WHERE APPLICABLE MUST REMAIN WITHIN DIMENSIONS | |

| DIMENSION STYLE | |
|-----------------|------------|
| MM/IN | |
| DRAWN BY | DATE |
| YHUANG11 | 2015/12/04 |
| CHECKED BY | DATE |
| MXU11 | 2015/12/04 |
| APPROVED BY | DATE |
| MYE08 | 2016/02/29 |
| MATERIAL NO. | |
| SEE TABLE | |

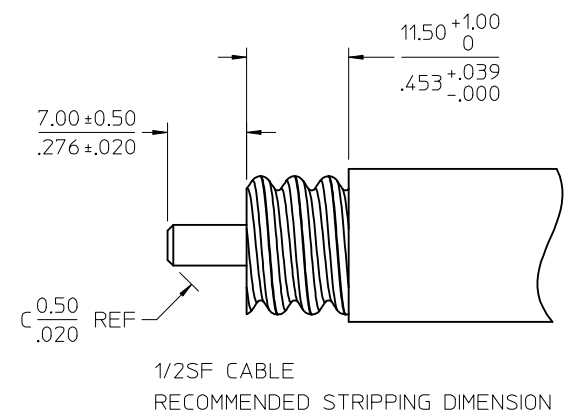
| SCALE | DESIGN UNITS | THIRD ANGLE PROJECTION |
|---|--------------|------------------------|
| | METRIC | |
| TITLE | | |
| 4.3-10 PLUG R/A, 50 OHM FOR 1/2SF CA, SOLDERING 4.3-10-R/A-PS | | |
| DOCUMENT NO. | | |
| SD-73162-618 | | |
| MATERIAL NO. | | SHEET NO. |
| SEE TABLE | | 1 OF 2 |

THIS DRAWING CONTAINS INFORMATION THAT IS PROPRIETARY TO MOLEX INCORPORATED AND SHOULD NOT BE USED WITHOUT WRITTEN PERMISSION

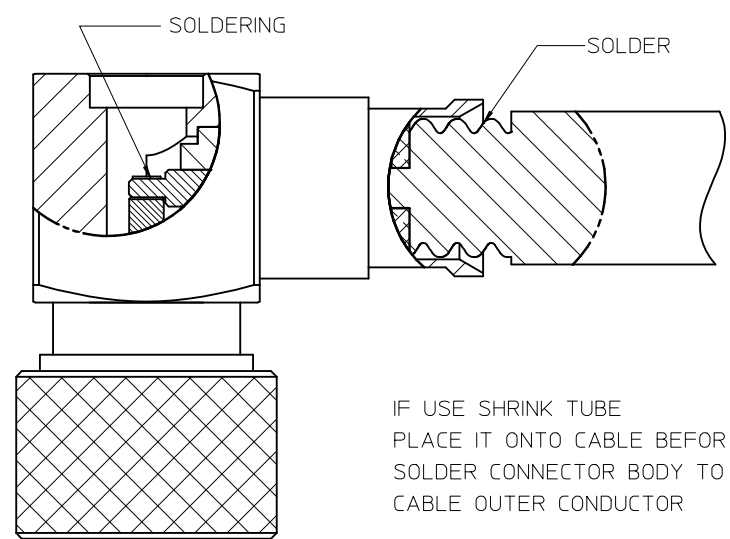
STEP 2



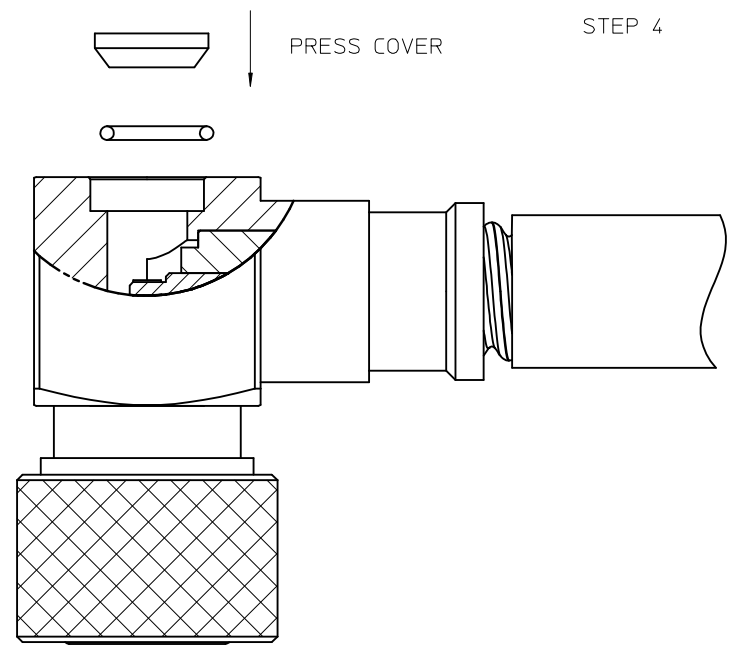
STEP 1



STEP 3



STEP 4



| CHG: SEE SHEET 1 EC NO: URF2016-0700 DRAWN: YHUANG11 2017/01/13 CHKD: APPR: MYE08 2017/03/03 | DESCRIPTION | QUALITY SYMBOLS | GENERAL TOLERANCES (UNLESS SPECIFIED) | DIMENSION STYLE | SCALE | DESIGN UNITS | THIRD ANGLE PROJECTION | | | | | | | | | | | | | | | | | | | | | | | | | | | | | |
|--|-------------|--|---|-----------------|--------------|--------------|------------------------|-------|-------|----------|-------|-------|----------|-------|-------|---------|-------|-------|---------|-------|-------|-------|--------|--|----------|------|----------|------------|------------|------|-------|------------|-------------|------|-------|------------|
| | | $\nabla = 0$ $\nabla = 0$ $\nabla = 0$ | <table border="1"> <thead> <tr> <th></th> <th>mm</th> <th>INCH</th> </tr> </thead> <tbody> <tr> <td>4 PLACES</td> <td>± ---</td> <td>± ---</td> </tr> <tr> <td>3 PLACES</td> <td>± ---</td> <td>± ---</td> </tr> <tr> <td>2 PLACES</td> <td>± ---</td> <td>± ---</td> </tr> <tr> <td>1 PLACE</td> <td>± ---</td> <td>± ---</td> </tr> <tr> <td>0 PLACE</td> <td>± ---</td> <td>± ---</td> </tr> </tbody> </table> | | mm | INCH | 4 PLACES | ± --- | ± --- | 3 PLACES | ± --- | ± --- | 2 PLACES | ± --- | ± --- | 1 PLACE | ± --- | ± --- | 0 PLACE | ± --- | ± --- | MM/IN | METRIC | <table border="1"> <tr> <td>DRAWN BY</td> <td>DATE</td> </tr> <tr> <td>YHUANG11</td> <td>2015/12/04</td> </tr> <tr> <td>CHECKED BY</td> <td>DATE</td> </tr> <tr> <td>MXU11</td> <td>2015/12/04</td> </tr> <tr> <td>APPROVED BY</td> <td>DATE</td> </tr> <tr> <td>MYE08</td> <td>2016/02/29</td> </tr> </table> | DRAWN BY | DATE | YHUANG11 | 2015/12/04 | CHECKED BY | DATE | MXU11 | 2015/12/04 | APPROVED BY | DATE | MYE08 | 2016/02/29 |
| | mm | INCH | | | | | | | | | | | | | | | | | | | | | | | | | | | | | | | | | | |
| 4 PLACES | ± --- | ± --- | | | | | | | | | | | | | | | | | | | | | | | | | | | | | | | | | | |
| 3 PLACES | ± --- | ± --- | | | | | | | | | | | | | | | | | | | | | | | | | | | | | | | | | | |
| 2 PLACES | ± --- | ± --- | | | | | | | | | | | | | | | | | | | | | | | | | | | | | | | | | | |
| 1 PLACE | ± --- | ± --- | | | | | | | | | | | | | | | | | | | | | | | | | | | | | | | | | | |
| 0 PLACE | ± --- | ± --- | | | | | | | | | | | | | | | | | | | | | | | | | | | | | | | | | | |
| DRAWN BY | DATE | | | | | | | | | | | | | | | | | | | | | | | | | | | | | | | | | | | |
| YHUANG11 | 2015/12/04 | | | | | | | | | | | | | | | | | | | | | | | | | | | | | | | | | | | |
| CHECKED BY | DATE | | | | | | | | | | | | | | | | | | | | | | | | | | | | | | | | | | | |
| MXU11 | 2015/12/04 | | | | | | | | | | | | | | | | | | | | | | | | | | | | | | | | | | | |
| APPROVED BY | DATE | | | | | | | | | | | | | | | | | | | | | | | | | | | | | | | | | | | |
| MYE08 | 2016/02/29 | | | | | | | | | | | | | | | | | | | | | | | | | | | | | | | | | | | |
| A2 | REV | ANGULAR ± 2° | DRAFT WHERE APPLICABLE MUST REMAIN WITHIN DIMENSIONS | SEE TABLE | DOCUMENT NO. | SD-73162-618 | SHEET NO. 2 OF 2 | | | | | | | | | | | | | | | | | | | | | | | | | | | | | |