



Chipsmall Limited consists of a professional team with an average of over 10 year of expertise in the distribution of electronic components. Based in Hongkong, we have already established firm and mutual-benefit business relationships with customers from,Europe,America and south Asia,supplying obsolete and hard-to-find components to meet their specific needs.

With the principle of "Quality Parts,Customers Priority,Honest Operation,and Considerate Service",our business mainly focus on the distribution of electronic components. Line cards we deal with include Microchip,ALPS,ROHM,Xilinx,Pulse,ON,Everlight and Freescale. Main products comprise IC,Modules,Potentiometer,IC Socket,Relay,Connector.Our parts cover such applications as commercial,industrial, and automotives areas.

We are looking forward to setting up business relationship with you and hope to provide you with the best service and solution. Let us make a better world for our industry!



## Contact us

Tel: +86-755-8981 8866 Fax: +86-755-8427 6832

Email & Skype: info@chipsmall.com Web: www.chipsmall.com

Address: A1208, Overseas Decoration Building, #122 Zhenhua RD., Futian, Shenzhen, China



MATERIALS AND FINISHES

BODY ZINC  
PLATED NICKEL

CENTER CONTACT PHOSPHOR BRONZE  
PLATED GOLD

INSULATOR POLYPROPYLENE (94-V0)

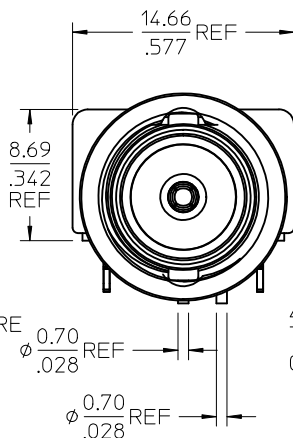
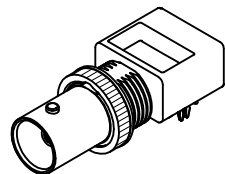
BOARD CLIPS PHOSPHOR BRONZE  
PLATED SEE TABLE

SOLDER TAIL(GROUND) COPPER COVERED STEEL WIRE  
PLATED SEE TABLE

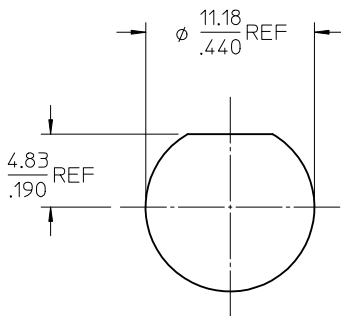
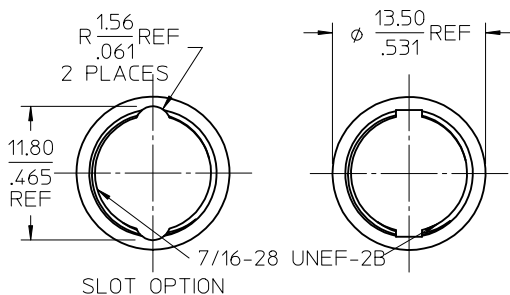
SOLDER TAIL(CONTACT) BRASS  
PLATED SEE TABLE

WASHER PHOSPHOR BRONZE  
PLATED NICKEL

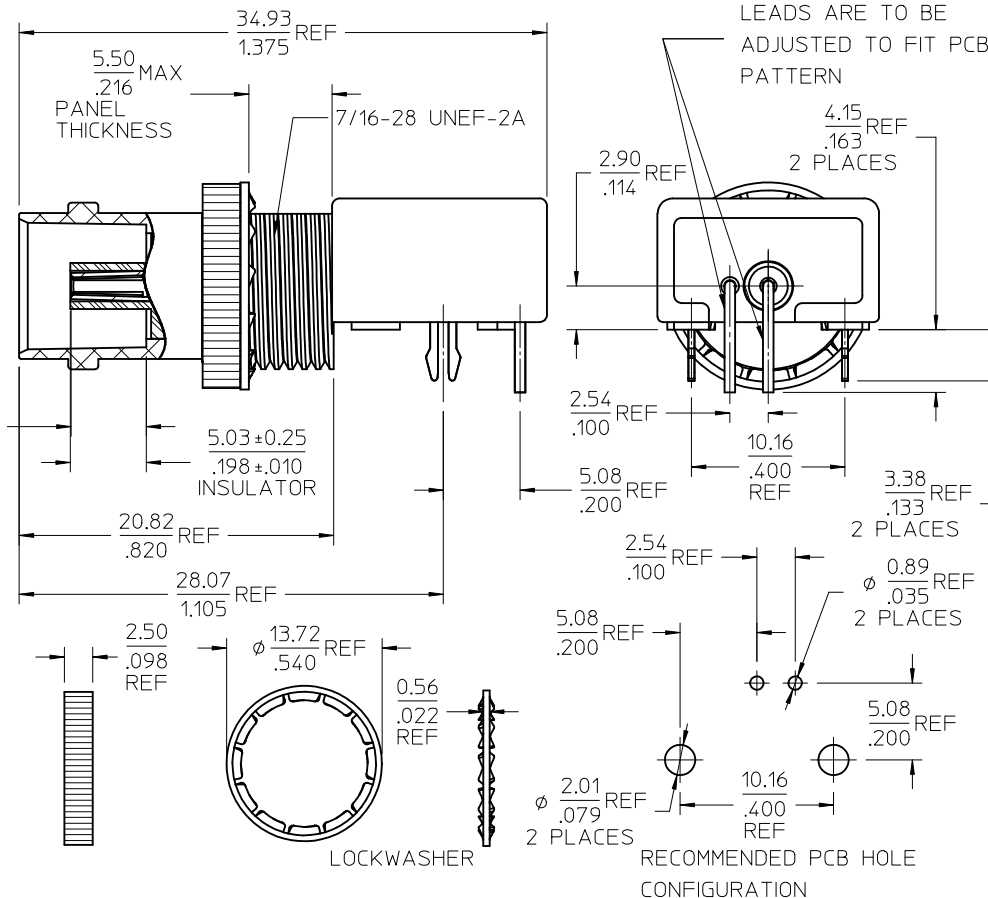
NUT BRASS  
PLATED NICKEL



4.98 ± 0.25  
.196 ± 0.10  
CONTACT



RECOMMENDED MOUNTING HOLE  
TORQUE: 0.56 N-m(5 INCH-LBS) MAX



PS-89675-1030	ELECTRO/MECH PROFORM.
SPECIFICATION	DESCRIPTION

73171-0705	73171-0700 NO HARDWARE INCLUDED / TRAY PACK
73171-0704	73171-0701, TRAYS, HARDWARE IN SEPERATE BAG
73171-0703	73171-0700, TRAYS, HARDWARE IN SEPERATE BAG
73171-0702	73171-0700, ONE PER BAG/BRIGHT TIN
73171-0701	PLASTIC TRAYS/MATTE TIN
73171-0700	PLASTIC TRAYS/BRIGHT TIN
PART NO.	PACKAGING/PLATING

CHG: 94V-0 WAS 94V-2  
PS WAS 73598-0051

EC NO: URF2012-0216  
2011/10/20

DRWN:WIENER  
2011/10/20

CHKD:SSS  
2011/10/20

APPR:WIENER  
2011/10/20

REV: B5

QUALITY SYMBOLS ▽=0 ▽=0	GENERAL TOLERANCES (UNLESS SPECIFIED)	DIMENSION STYLE MM/IN	SCALE	DESIGN UNITS METRIC	THIRD ANGLE PROJECTION
	4 PLACES ± --- ± --- 3 PLACES ± --- ± --- 2 PLACES ± --- ± --- 1 PLACE ± --- ± ---	DRAWN BY TEF DATE 1999/02/21	CHECKED BY DHG DATE 1999/02/21	TITLE BNC JACK,R/A LOW PROFILE 75 OHMS, EWR-2320 BNC-J/PCB	MOLEX INCORPORATED
ANGULAR ± 2 °		APPROVED BY GMH DATE 1999/02/21	MATERIAL NO. SEE TABLE	DOCUMENT NO. SD-73171-070	SHEET NO. 1 OF 1
DRAFT WHERE APPLICABLE MUST REMAIN WITHIN DIMENSIONS					
THIS DRAWING CONTAINS INFORMATION THAT IS PROPRIETARY TO MOLEX INCORPORATED AND SHOULD NOT BE USED WITHOUT WRITTEN PERMISSION					