



Chipsmall Limited consists of a professional team with an average of over 10 year of expertise in the distribution of electronic components. Based in Hongkong, we have already established firm and mutual-benefit business relationships with customers from,Europe,America and south Asia,supplying obsolete and hard-to-find components to meet their specific needs.

With the principle of “Quality Parts,Customers Priority,Honest Operation,and Considerate Service”,our business mainly focus on the distribution of electronic components. Line cards we deal with include Microchip,ALPS,ROHM,Xilinx,Pulse,ON,Everlight and Freescale. Main products comprise IC,Modules,Potentiometer,IC Socket,Relay,Connector.Our parts cover such applications as commercial,industrial, and automotives areas.

We are looking forward to setting up business relationship with you and hope to provide you with the best service and solution. Let us make a better world for our industry!



Contact us

Tel: +86-755-8981 8866 Fax: +86-755-8427 6832

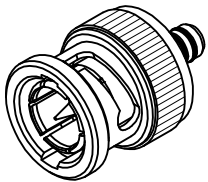
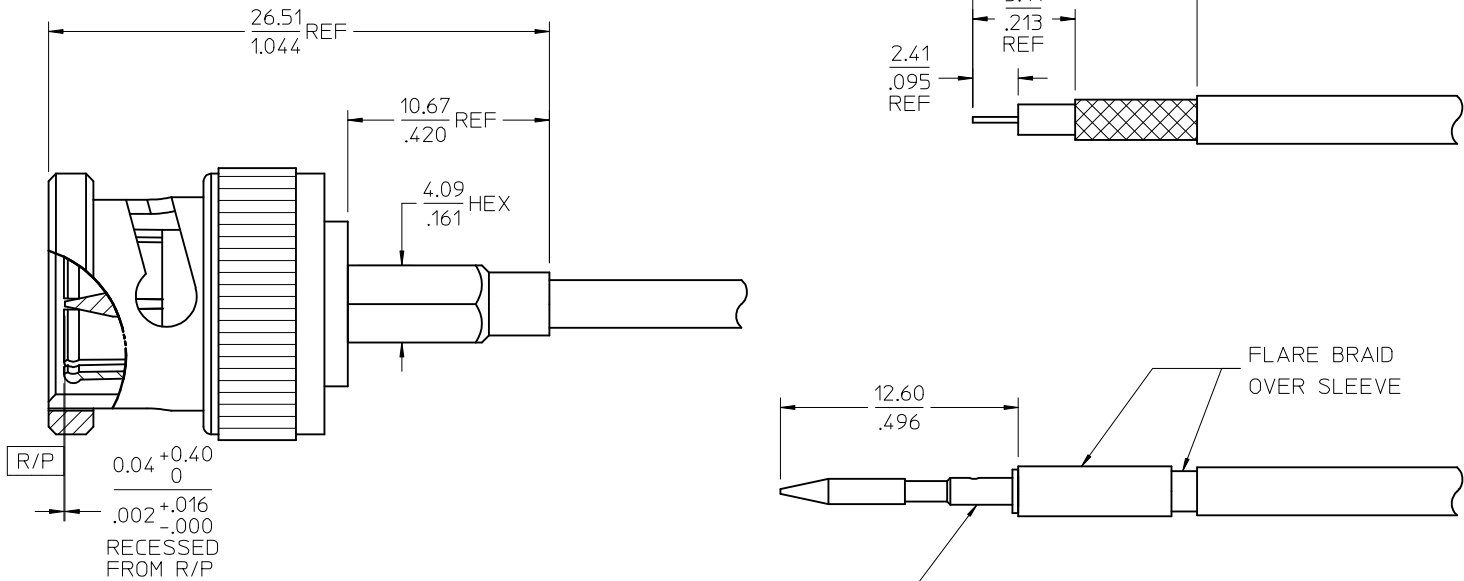
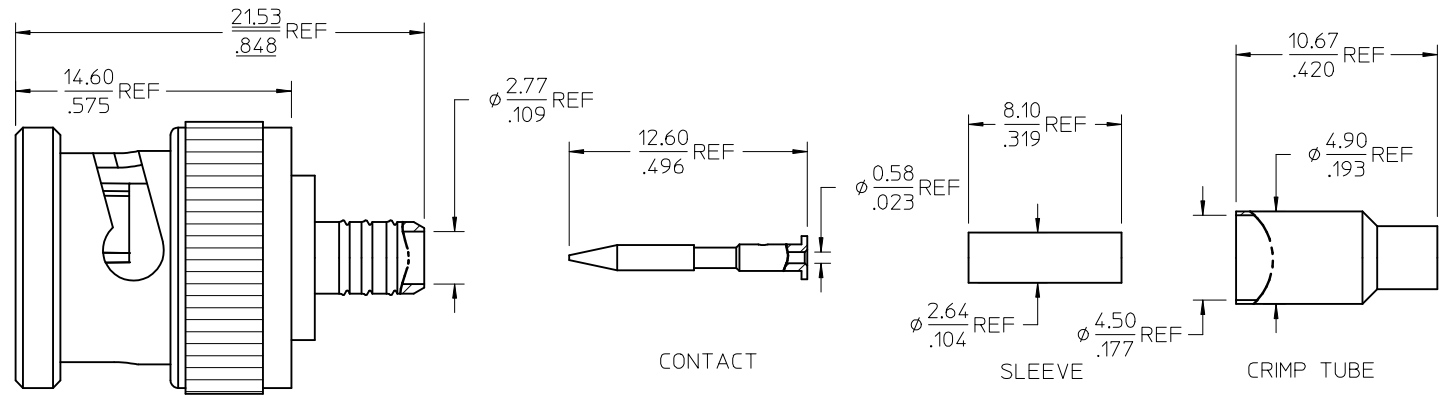
Email & Skype: info@chipsmall.com Web: www.chipsmall.com

Address: A1208, Overseas Decoration Building, #122 Zhenhua RD., Futian, Shenzhen, China



MATERIALS AND FINISHES

- J BODY BRASS
PLATED NICKEL
- I CENTER CONTACT BRASS
PLATED GOLD
- OUTER CONTACT BRASS
PLATED NICKEL
- H CRIMP TUBE BRASS
PLATED TIN
- COUPLING NUT ZINC
PLATED NICKEL
- G WASHER BRASS
PLATED NICKEL
- F SPRING WASHER BeCu
PLATED NICKEL
- GASKET SILICONE RUBBER
- E INSULATOR, SLEEVE TEFLON



PART # 73171-1290

PS-89675-2020	PRODUCT SPECIFICATION
SPECIFICATION	DESCRIPTION

CHG: ADDED TO TOLERANCE TO CONTACT ASSY. EC NO: URF2010-0181 DRWINAROBERTSON 2009/09/24 CHKD:SSS 2009/09/24 APPR: JWIENER 2009/09/24	QUALITY SYMBOLS ▽=0 ▽=0	GENERAL TOLERANCES (UNLESS SPECIFIED) mm INCH 4 PLACES ± --- ± --- 3 PLACES ± --- ± --- 2 PLACES ± --- ± --- 1 PLACE ± --- ± --- ANGULAR ± 2 °	DIMENSION STYLE MM/IN DRAWN BY DATE LMB 2000/08/22 CHECKED BY DATE GMH 2000/08/22 APPROVED BY DATE GMH 2000/08/22	SCALE DESIGN UNITS METRIC THIRD ANGLE PROJECTION	TITLE BNC PLUG, STR, 75 OHMS RG-179 EWR-1125 BNC-PC	MATERIAL NO. 731711290	DOCUMENT NO. SD-73171-129	SHEET NO. 1 OF 1
		DRAFT WHERE APPLICABLE MUST REMAIN WITHIN DIMENSIONS	MOLEX INCORPORATED			THIS DRAWING CONTAINS INFORMATION THAT IS PROPRIETARY TO MOLEX INCORPORATED AND SHOULD NOT BE USED WITHOUT WRITTEN PERMISSION		