

Chipsmall Limited consists of a professional team with an average of over 10 year of expertise in the distribution of electronic components. Based in Hongkong, we have already established firm and mutual-benefit business relationships with customers from,Europe,America and south Asia,supplying obsolete and hard-to-find components to meet their specific needs.

With the principle of “Quality Parts,Customers Priority,Honest Operation,and Considerate Service”,our business mainly focus on the distribution of electronic components. Line cards we deal with include Microchip,ALPS,ROHM,Xilinx,Pulse,ON,Everlight and Freescale. Main products comprise IC,Modules,Potentiometer,IC Socket,Relay,Connector.Our parts cover such applications as commercial,industrial, and automotives areas.

We are looking forward to setting up business relationship with you and hope to provide you with the best service and solution. Let us make a better world for our industry!



## Contact us

Tel: +86-755-8981 8866 Fax: +86-755-8427 6832

Email & Skype: [info@chipsmall.com](mailto:info@chipsmall.com) Web: [www.chipsmall.com](http://www.chipsmall.com)

Address: A1208, Overseas Decoration Building, #122 Zhenhua RD., Futian, Shenzhen, China

MATERIALS AND FINISH

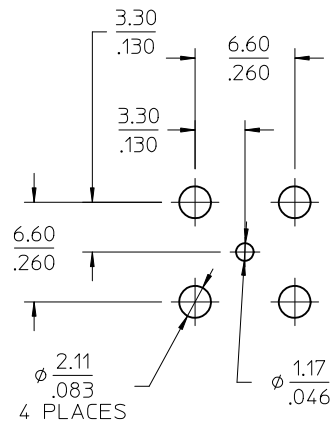
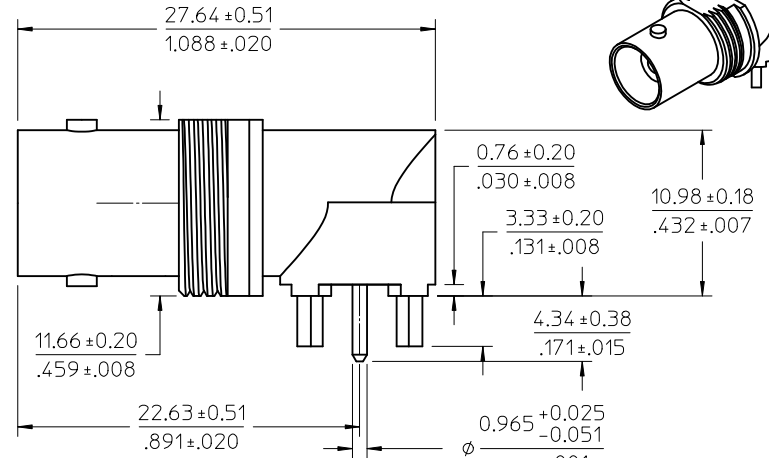
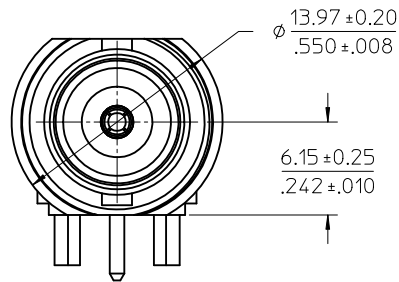
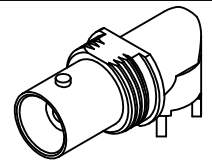
BODY: ZINC ALLOY  
PLATED: SEE TABLE

CENTER CONTACT: PHOSPHOR BRONZE  
PLATED: GOLD

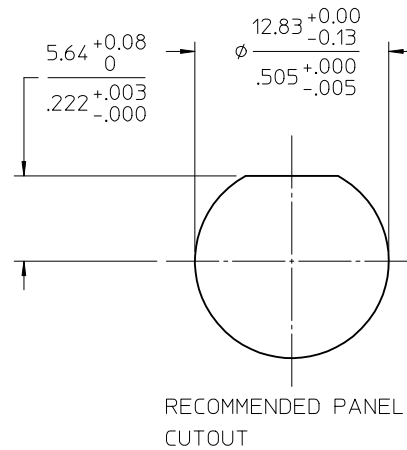
INSULATOR: TEFLON

JAM NUT: BRASS  
PLATED: NICKEL

LOCK WASHER: PHOSPHOR BRONZE  
PLATED NICKEL

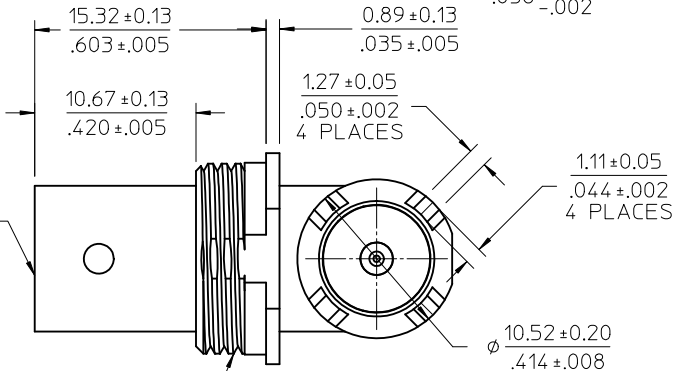


RECOMMENDED PCB HOLE PATTERN

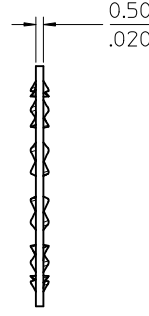
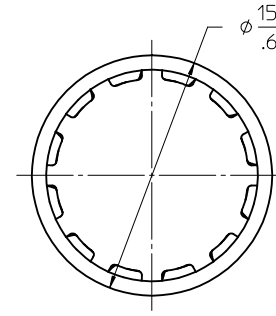
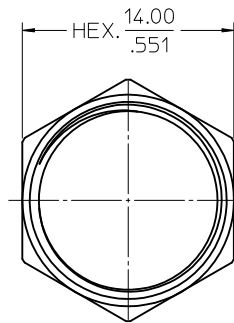


RECOMMENDED PANEL CUTOUT

BNC JACK INTERFACE



1/2-28 UNEF-2A



73171-1362	INCLUDED	NICKEL
73171-1361	INCLUDED	TIN
73171-1360	NOT INCLUDED	TIN
PART NO.	WASHER/NUT	BODY PLATING

MIL-STD-348A, FIG. 301.2	INTERFACE
SPECIFICATION	DESCRIPTION

CHG: ADD 73171-1362  
EC NO: URF2012-0444  
DRWN: JWIENER 2012/02/01  
CHKD: SSS 2012/02/01  
APPR: JWIENER 2012/02/06

QUALITY SYMBOLS  
▽=0  
▽=0

GENERAL TOLERANCES (UNLESS SPECIFIED)  
4 PLACES ± --- ± ---  
3 PLACES ± --- ± ---  
2 PLACES ± --- ± ---  
1 PLACE ± --- ± ---  
ANGULAR ± 2 °  
DRAFT WHERE APPLICABLE  
MUST REMAIN WITHIN DIMENSIONS

DIMENSION STYLE  
MM/IN  
DRAWN BY DATE  
TEF 2000/08/29  
CHECKED BY DATE  
SSS 2000/08/29  
APPROVED BY DATE  
GMH 2000/08/29

SCALE  
DESIGN UNITS  
METRIC  
THIRD ANGLE PROJECTION  
TITLE  
BNC JACK, R/A, PCB  
50 OHMS, BULKHEAD  
BNC-J/PCB  
MOLEX INCORPORATED  
MATERIAL NO. SEE TABLE  
DOCUMENT NO. SD-73171-136  
SHEET NO. 1 OF 1  
THIS DRAWING CONTAINS INFORMATION THAT IS PROPRIETARY TO MOLEX INCORPORATED AND SHOULD NOT BE USED WITHOUT WRITTEN PERMISSION