



Chipsmall Limited consists of a professional team with an average of over 10 year of expertise in the distribution of electronic components. Based in Hongkong, we have already established firm and mutual-benefit business relationships with customers from,Europe,America and south Asia,supplying obsolete and hard-to-find components to meet their specific needs.

With the principle of “Quality Parts,Customers Priority,Honest Operation,and Considerate Service”,our business mainly focus on the distribution of electronic components. Line cards we deal with include Microchip,ALPS,ROHM,Xilinx,Pulse,ON,Everlight and Freescale. Main products comprise IC,Modules,Potentiometer,IC Socket,Relay,Connector.Our parts cover such applications as commercial,industrial, and automotives areas.

We are looking forward to setting up business relationship with you and hope to provide you with the best service and solution. Let us make a better world for our industry!



## Contact us

Tel: +86-755-8981 8866 Fax: +86-755-8427 6832

Email & Skype: info@chipsmall.com Web: www.chipsmall.com

Address: A1208, Overseas Decoration Building, #122 Zhenhua RD., Futian, Shenzhen, China

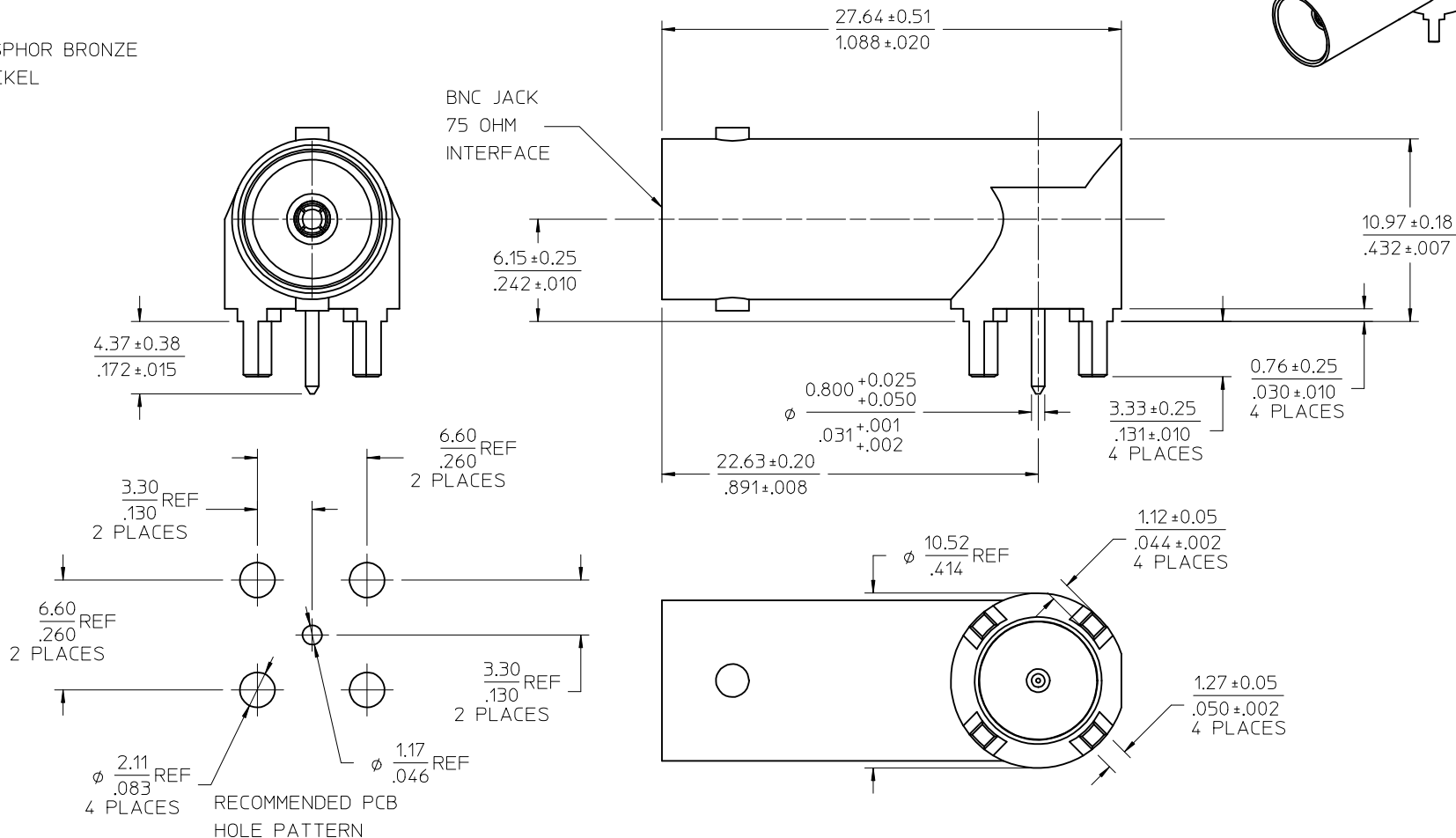
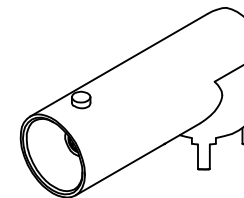


MATERIALS AND FINISHES

BODY ZINC  
PLATED SEE TABLE

CENTER CONTACT PHOSPHOR BRONZE  
PLATED GOLD OVER NICKEL

INSULATOR TEFLON



PS-89675-2020	PRODUCT SPECIFICATION
SPECIFICATION	DESCRIPTION

73171-1641	NICKEL
73171-1640	BRIGHT TIN OVER NICKEL
PART NO.	PLATING

CHG: ADDED 3GHZ TO TITLE BLOCK	EC NO: URF2009-0340	2008/12/19
DRWN: WIENER	2008/12/19	
CHKD: SSHAH	2008/12/19	
APPR: WIENER	2008/12/19	
REV	DESCRIPTION	
A3		

QUALITY SYMBOLS	$\nabla=0$ $\nabla=0$
-----------------	--------------------------

GENERAL TOLERANCES (UNLESS SPECIFIED)	<table border="1"> <tr> <th></th> <th>mm</th> <th>INCH</th> </tr> <tr> <td>4 PLACES</td> <td><math>\pm .010</math></td> <td><math>\pm .0004</math></td> </tr> <tr> <td>3 PLACES</td> <td><math>\pm .015</math></td> <td><math>\pm .0006</math></td> </tr> <tr> <td>2 PLACES</td> <td><math>\pm .020</math></td> <td><math>\pm .0008</math></td> </tr> <tr> <td>1 PLACE</td> <td><math>\pm .030</math></td> <td><math>\pm .0012</math></td> </tr> </table>		mm	INCH	4 PLACES	$\pm .010$	$\pm .0004$	3 PLACES	$\pm .015$	$\pm .0006$	2 PLACES	$\pm .020$	$\pm .0008$	1 PLACE	$\pm .030$	$\pm .0012$
	mm	INCH														
4 PLACES	$\pm .010$	$\pm .0004$														
3 PLACES	$\pm .015$	$\pm .0006$														
2 PLACES	$\pm .020$	$\pm .0008$														
1 PLACE	$\pm .030$	$\pm .0012$														
ANGULAR	$\pm 2^\circ$															
DRAFT WHERE APPLICABLE	MUST REMAIN WITHIN DIMENSIONS															

DIMENSION STYLE	MM/IN
DRAWN BY	SSS
DATE	2001/10/18
CHECKED BY	TEF
DATE	2001/10/18
APPROVED BY	GMH
DATE	2001/10/18
MATERIAL NO.	SEE TABLE
SIZE	C

SCALE	DESIGN UNITS	THIRD ANGLE PROJECTION
	METRIC	
TITLE		
BNC JACK R/A PCB		
75 OHMS 3GHZ		
BNC-J/RA/PCB EWR-1520		
MOLEX INCORPORATED		
DOCUMENT NO.	SHEET NO.	
SD-73171-164	1 OF 1	
THIS DRAWING CONTAINS INFORMATION THAT IS PROPRIETARY TO MOLEX INCORPORATED AND SHOULD NOT BE USED WITHOUT WRITTEN PERMISSION		