



Chipsmall Limited consists of a professional team with an average of over 10 year of expertise in the distribution of electronic components. Based in Hongkong, we have already established firm and mutual-benefit business relationships with customers from,Europe,America and south Asia,supplying obsolete and hard-to-find components to meet their specific needs.

With the principle of “Quality Parts,Customers Priority,Honest Operation,and Considerate Service”,our business mainly focus on the distribution of electronic components. Line cards we deal with include Microchip,ALPS,ROHM,Xilinx,Pulse,ON,Everlight and Freescale. Main products comprise IC,Modules,Potentiometer,IC Socket,Relay,Connector.Our parts cover such applications as commercial,industrial, and automotives areas.

We are looking forward to setting up business relationship with you and hope to provide you with the best service and solution. Let us make a better world for our industry!



## Contact us

Tel: +86-755-8981 8866 Fax: +86-755-8427 6832

Email & Skype: info@chipsmall.com Web: www.chipsmall.com

Address: A1208, Overseas Decoration Building, #122 Zhenhua RD., Futian, Shenzhen, China



MATERIALS AND FINISHES

BODY, PIN, JAM NUT: BRASS  
PLATED: NICKEL

POST: BRASS  
PLATED: BRIGHT TIN

CENTER CONTACT: BeCu  
PLATED: GOLD

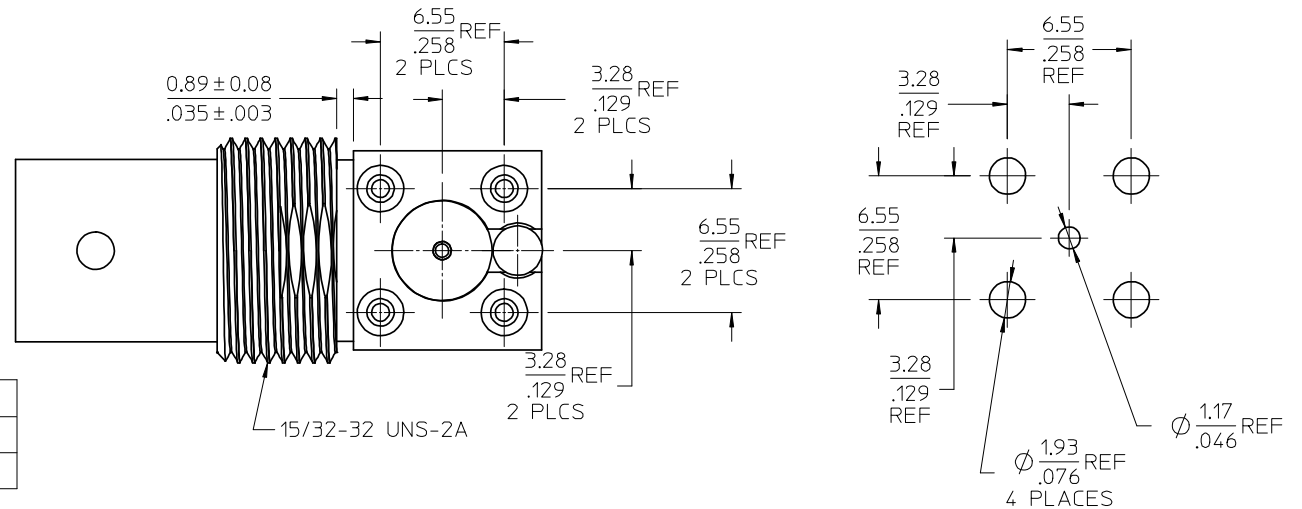
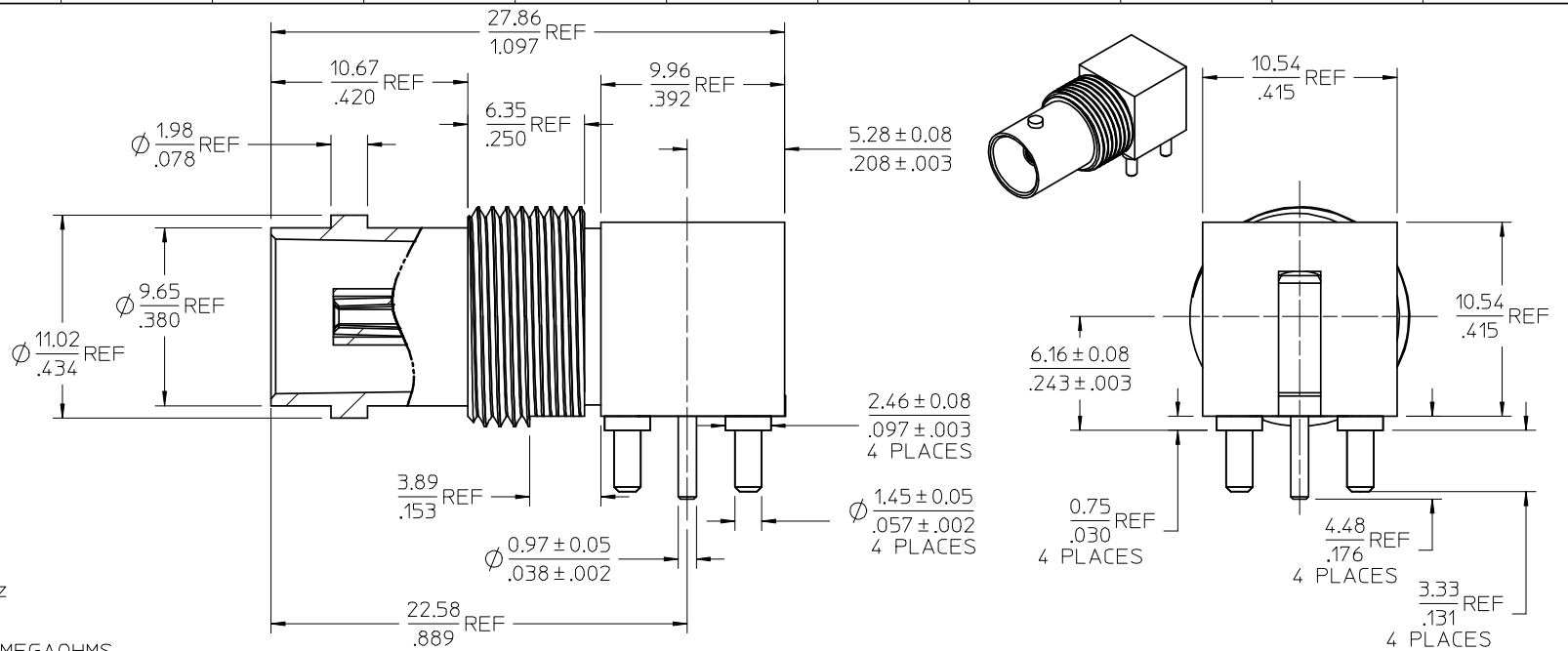
LOCK WASHER: STEEL  
PLATED: NICKEL

INSULATOR: TEFLON

ELECTRIC PERFORMANCE

FREQUENCY RANGE: DC - 2 GHz  
VOLTAGE RATING: 500 VRMS  
INSULATION RESISTANCE: 5000 MEGAOHMS  
CONTACT RESISTANCE:

OUTER: 0.2 MILLIOHMS MAX  
CENTER: 1.5 MILLIOHMS MAX



RECOMMENDED PCB LAYOUT

73171-1981	HARDWARE INCLUDED
73171-1980	CONNECTOR ONLY
PART NUMBER	DESCRIPTION

PS-89675-2020	PRODUCT SPECIFICATION
SPECIFICATION	DESCRIPTION

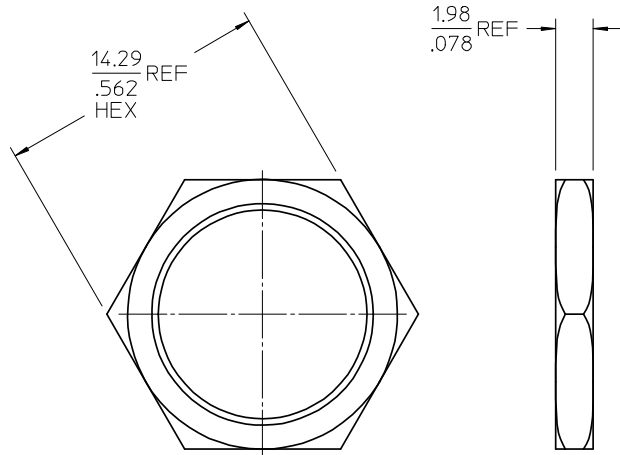
CHG: ADDED -1981 WITH JAM NUT AND LOCK WASHER EC NO: URF2009-0061 DRWN: JLE02 2008/08/06 CHKD: SSS 2008/08/06 APPR: JWIENER 2008/08/06 REV: A3	QUALITY SYMBOLS ▽=0 ▽=0
	DESCRIPTION

GENERAL TOLERANCES (UNLESS SPECIFIED) 4 PLACES ± .005 3 PLACES ± .004 2 PLACES ± .003 1 PLACE ± .002 ANGULAR ± 2° DRAFT WHERE APPLICABLE MUST REMAIN WITHIN DIMENSIONS
--

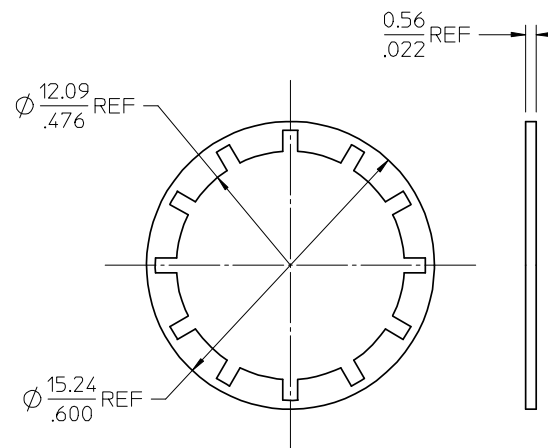
DIMENSION STYLE MM/IN DRAWN BY: SSS CHECKED BY: TEF APPROVED BY: GMH MATERIAL NO.: SEE TABLE SIZE: C	DATE: 2003/05/21 DATE: 2003/05/21 DATE: 2003/05/20
--	--

SCALE: METRIC DESIGN UNITS: METRIC THIRD ANGLE PROJECTION	TITLE: BNC JACK BULKHEAD, R/A PCB 75 OHMS, EWR2022 BNC-J/RA/BK/PCB
MOLEX MOLEX INCORPORATED DOCUMENT NO.: SD-73171-198	SHEET NO.: 1 OF 2

13 12 11 10 9 8 7 6 5 4 3 2 1



JAM NUT



LOCK WASHER

CHG: SEE SHEET 1 EC NO: URF2009-0061 DRWN: JLEE02 CHKD: SSS APPR: JWIENER	2008/08/06	QUALITY SYMBOLS ▽=0 ▽=0
	2008/08/06	
	2008/08/06	
	2008/08/06	
REV	DESCRIPTION	
A3		

GENERAL TOLERANCES (UNLESS SPECIFIED)	
4 PLACES	± .005
3 PLACES	± .005
2 PLACES	± .005
1 PLACE	± .005
ANGULAR ± 2 °	
DRAFT WHERE APPLICABLE MUST REMAIN WITHIN DIMENSIONS	

DIMENSION STYLE MM/IN	
DRAWN BY	DATE
SSS	2003/05/21
CHECKED BY	DATE
TEF	2003/05/21
APPROVED BY	DATE
GMH	2003/05/20
MATERIAL NO. SEE SHEET 1	

SCALE	DESIGN UNITS	THIRD ANGLE PROJECTION
	METRIC	
TITLE BNC JACK BULKHEAD, R/A PCB 75 OHMS, EWR2022 BNC-J/RA/BK/PCB		
MOLEX INCORPORATED		SHEET NO. 2 OF 2
DOCUMENT NO. SD-73171-198		
THIS DRAWING CONTAINS INFORMATION THAT IS PROPRIETARY TO MOLEX INCORPORATED AND SHOULD NOT BE USED WITHOUT WRITTEN PERMISSION		