



Chipsmall Limited consists of a professional team with an average of over 10 year of expertise in the distribution of electronic components. Based in Hongkong, we have already established firm and mutual-benefit business relationships with customers from,Europe,America and south Asia,supplying obsolete and hard-to-find components to meet their specific needs.

With the principle of “Quality Parts,Customers Priority,Honest Operation,and Considerate Service”,our business mainly focus on the distribution of electronic components. Line cards we deal with include Microchip,ALPS,ROHM,Xilinx,Pulse,ON,Everlight and Freescale. Main products comprise IC,Modules,Potentiometer,IC Socket,Relay,Connector.Our parts cover such applications as commercial,industrial, and automotives areas.

We are looking forward to setting up business relationship with you and hope to provide you with the best service and solution. Let us make a better world for our industry!



Contact us

Tel: +86-755-8981 8866 Fax: +86-755-8427 6832

Email & Skype: info@chipsmall.com Web: www.chipsmall.com

Address: A1208, Overseas Decoration Building, #122 Zhenhua RD., Futian, Shenzhen, China



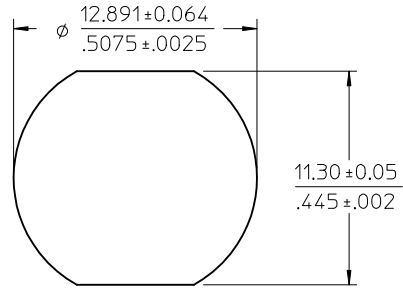
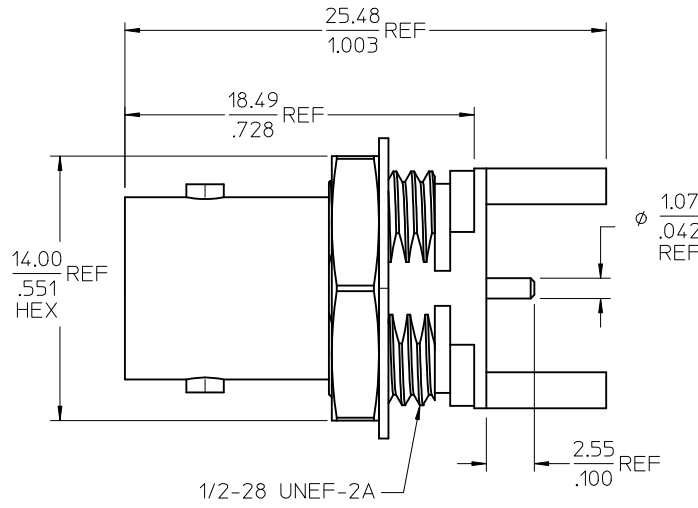
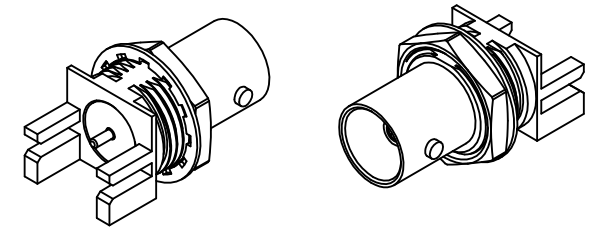
MATERIALS AND FINISHES

BODY, JAMNUT BRASS
PLATED SEE TABLE

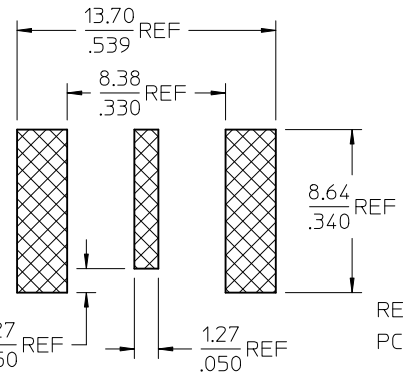
CENTER CONTACT BERYLLIUM COPPER
PLATED GOLD

INSULATOR TEFLON

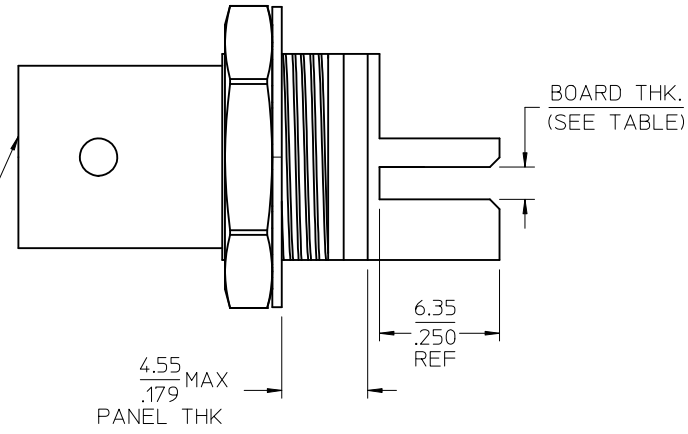
LOCKWASHER PHOSPHOR BRONZE
PLATED SEE TABLE



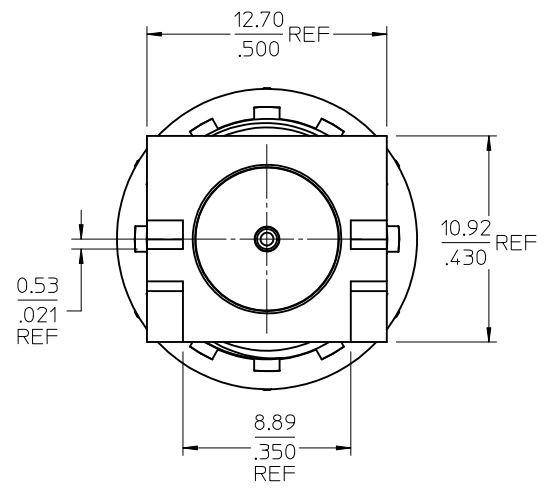
RECOMMENDED PANEL CUTOUT



BNC JACK INTERFACE



BOARD THK.
(SEE TABLE)



MIL-STD-348A, FIG. 301.2	INTERFACE
SPECIFICATION	DESCRIPTION

CHG: TABULATED DIM A. CHANGED FROM SLOT WIDTH TO BOARD THK. ADDED -2603 THRU -2606 AND SHEET 2	EC NO: URF2009-0149	2008/09/23	DRWN:SSHAH	2008/09/23	CHKD:ROBERTSON	2008/09/23	APPR:WIENER	2008/09/23
	A2	DESCRIPTION	QUALITY SYMBOLS	▽=0	▽=0	▽=0	▽=0	▽=0

GENERAL TOLERANCES (UNLESS SPECIFIED)	mm	INCH
	4 PLACES ± .005	± .0005
3 PLACES ± .005	± .0005	
2 PLACES ± .005	± .0005	
1 PLACE ± .005	± .0005	
ANGULAR ± 2 °		
DRAFT WHERE APPLICABLE MUST REMAIN WITHIN DIMENSIONS		

DIMENSION STYLE		SCALE	DESIGN UNITS	THIRD ANGLE PROJECTION
MM/IN			METRIC	
DRAWN BY	DATE	TITLE		
SSS	2005/03/30	BNC JACK, BULKHEAD, PCB 75 OHMS 3 GHZ EWR2754 BNC-J/PCB		
CHECKED BY	DATE	APPROVED BY		
TEF	2005/03/30	JDE		
MATERIAL NO.		DOCUMENT NO.		
SEE SHEET 2		SD-73171-260		
SIZE	THIS DRAWING CONTAINS INFORMATION THAT IS PROPRIETARY TO MOLEX INCORPORATED AND SHOULD NOT BE USED WITHOUT WRITTEN PERMISSION			
C				

MATERIAL NO.		DOCUMENT NO.		
SEE SHEET 2		SD-73171-260		
SIZE	THIS DRAWING CONTAINS INFORMATION THAT IS PROPRIETARY TO MOLEX INCORPORATED AND SHOULD NOT BE USED WITHOUT WRITTEN PERMISSION			
C				

13

12

11

10

9

8

7

6

5

4

3

2

1

73171-2606	.120 REF	3.05 REF	NICKEL
73171-2605	.120 REF	3.05 REF	GOLD
73171-2604	.084 REF	2.13 REF	NICKEL
73171-2603	.084 REF	2.13 REF	GOLD
73171-2602	.060/.064 REF	1.52/1.63 REF	NICKEL/BULK
73171-2601	.060/.064 REF	1.52/1.63 REF	73171-2600, ONE PER BAG
73171-2600	.060/.064 REF	1.52/1.63 REF	GOLD/BULK
PART NO.	IN	MM	PLATING/PACKAGING
BOARD THK.			

CHG: SEE SHEET 1
 EC NO: URF2009-0149
 DRWN:SSHAH 2008/09/23
 CHKD:ROBERTSON 2008/09/23
 APPR:JWIENER 2008/09/23

DESCRIPTION
 REV
 A2

QUALITY SYMBOLS

▽=0

▽=0

GENERAL TOLERANCES (UNLESS SPECIFIED)

	mm	INCH
4 PLACES	± .005	± .0004
3 PLACES	± .005	± .0004
2 PLACES	± .005	± .0004
1 PLACE	± .005	± .0004

ANGULAR ± 2 °

DRAFT WHERE APPLICABLE
 MUST REMAIN
 WITHIN DIMENSIONS

DIMENSION STYLE
 MM/IN

DRAWN BY	DATE
SSS	2005/03/30
CHECKED BY	DATE
TEF	2005/03/30
APPROVED BY	DATE
JDE	2005/03/30

MATERIAL NO.

SEE TABLE

SIZE
 C

THIS DRAWING CONTAINS INFORMATION THAT IS PROPRIETARY TO MOLEX INCORPORATED AND SHOULD NOT BE USED WITHOUT WRITTEN PERMISSION

SCALE

DESIGN UNITS
 METRIC

THIRD ANGLE PROJECTION

TITLE
 BNC JACK, BULKHEAD, PCB
 75 OHMS 3 GHZ EWR2754
 BNC-J/PCB

MOLEX MOLEX INCORPORATED

DOCUMENT NO.

SD-73171-260

SHEET NO.

2 OF 2

12

11

10

9

8

7

6

5

4

3

2

1