



Chipsmall Limited consists of a professional team with an average of over 10 year of expertise in the distribution of electronic components. Based in Hongkong, we have already established firm and mutual-benefit business relationships with customers from,Europe,America and south Asia,supplying obsolete and hard-to-find components to meet their specific needs.

With the principle of "Quality Parts,Customers Priority,Honest Operation,and Considerate Service",our business mainly focus on the distribution of electronic components. Line cards we deal with include Microchip,ALPS,ROHM,Xilinx,Pulse,ON,Everlight and Freescale. Main products comprise IC,Modules,Potentiometer,IC Socket,Relay,Connector.Our parts cover such applications as commercial,industrial, and automotives areas.

We are looking forward to setting up business relationship with you and hope to provide you with the best service and solution. Let us make a better world for our industry!



Contact us

Tel: +86-755-8981 8866 Fax: +86-755-8427 6832

Email & Skype: info@chipsmall.com Web: www.chipsmall.com

Address: A1208, Overseas Decoration Building, #122 Zhenhua RD., Futian, Shenzhen, China



MATERIALS AND FINISHES

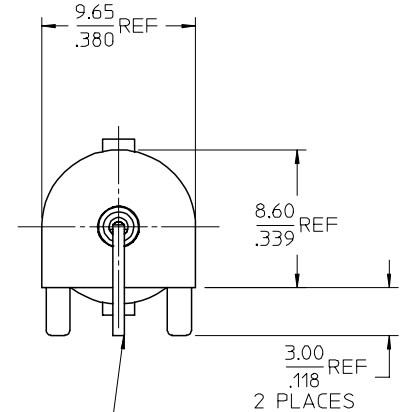
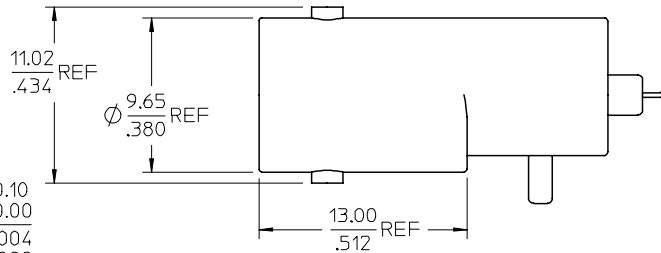
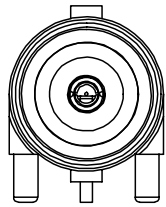
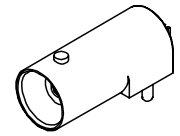
BODY ZINC ALLOY
PLATED NICKEL

CENTER CONTACT PHOSPHOR BRONZE
PLATED GOLD/TIN

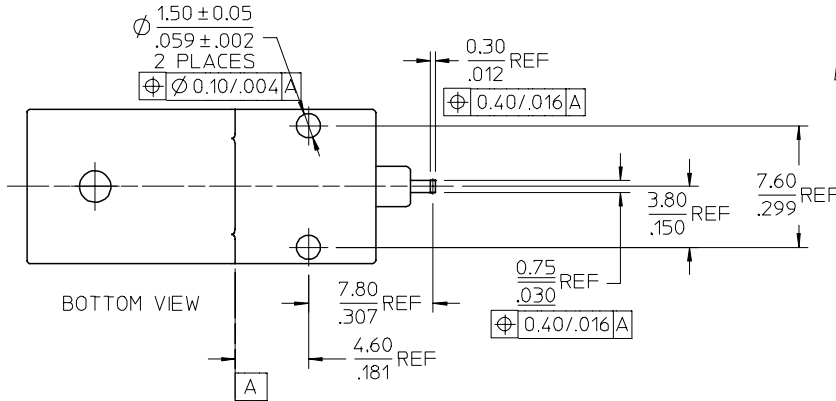
INSULATOR POLYPROPYLENE

BNC JACK
INTERFACE

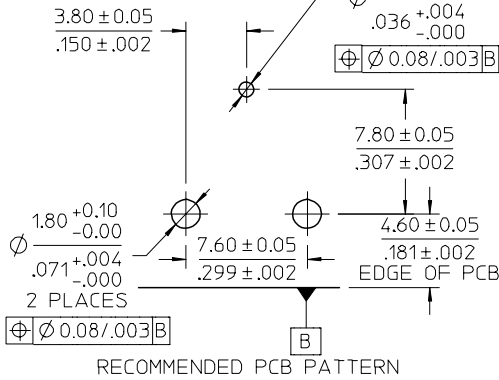
TOP VIEW



THIS LEAD IS FORMED TO FIT
RECOMMENDED PCB PATTERN
DURING INSTALLATION



BOTTOM VIEW



RECOMMENDED PCB PATTERN

PS-73598-0050

PRODUCT SPECIFICATION

SPECIFICATION

DESCRIPTION

73171-3150	73100-0105, ONE PER BAG
73100-0105	BULK
PART NO.	PACKAGING

CHG: REDREW IN SD ADDED P/N 73100-0105	FC NO: URF 2007-0396	DRAWN: FLAHERTY 2007/05/01	CHKD: SHAH 2007/05/01	APPR: JIMENER 2007/05/01	DESCRIPTION	QUALITY SYMBOLS
						=0 <0
C2						REVISION

GENERAL TOLERANCES (UNLESS SPECIFIED)	
mm	INCH
4 PLACES ± .005	± .0005
3 PLACES ± .003	± .0003
2 PLACES ± .002	± .0002
1 PLACE ± .001	± .0001
ANGULAR ± 2°	
DRAFT WHERE APPLICABLE MUST REMAIN WITHIN DIMENSIONS	

DIMENSION STYLE	
MM/IN	
DRAWN BY	DATE
THOMPSON TSA	1994/09/15
CHECKED BY	DATE
A CHANG	1994/09/15
APPROVED BY	DATE
A CHANG	1994/09/15
MATERIAL NO.	
SEE TABLE	

SCALE	DESIGN UNITS	THIRD ANGLE PROJECTION
	METRIC	
TITLE		
BNC JACK, R/A, RECEPTACLE		
50 OHMS		
BNC-J/RA/PCB		
MOLEX INCORPORATED		
DOCUMENT NO.	SHEET NO.	
SD-73100-0105	1 OF 1	