



Chipsmall Limited consists of a professional team with an average of over 10 year of expertise in the distribution of electronic components. Based in Hongkong, we have already established firm and mutual-benefit business relationships with customers from,Europe,America and south Asia,supplying obsolete and hard-to-find components to meet their specific needs.

With the principle of "Quality Parts,Customers Priority,Honest Operation,and Considerate Service",our business mainly focus on the distribution of electronic components. Line cards we deal with include Microchip,ALPS,ROHM,Xilinx,Pulse,ON,Everlight and Freescale. Main products comprise IC,Modules,Potentiometer,IC Socket,Relay,Connector.Our parts cover such applications as commercial,industrial, and automotives areas.

We are looking forward to setting up business relationship with you and hope to provide you with the best service and solution. Let us make a better world for our industry!



## Contact us

Tel: +86-755-8981 8866 Fax: +86-755-8427 6832

Email & Skype: info@chipsmall.com Web: www.chipsmall.com

Address: A1208, Overseas Decoration Building, #122 Zhenhua RD., Futian, Shenzhen, China



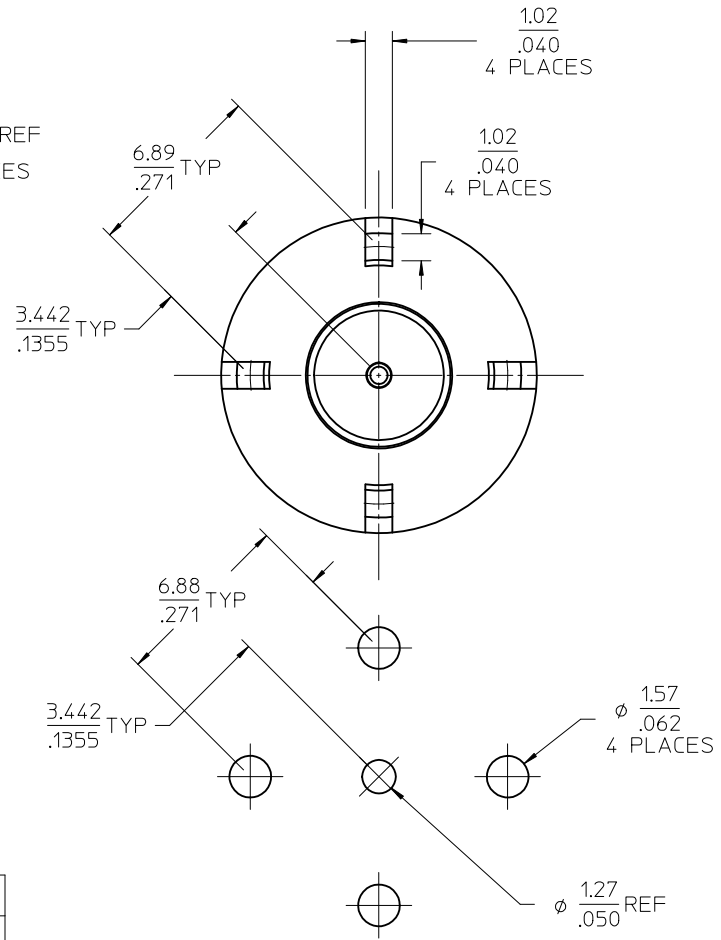
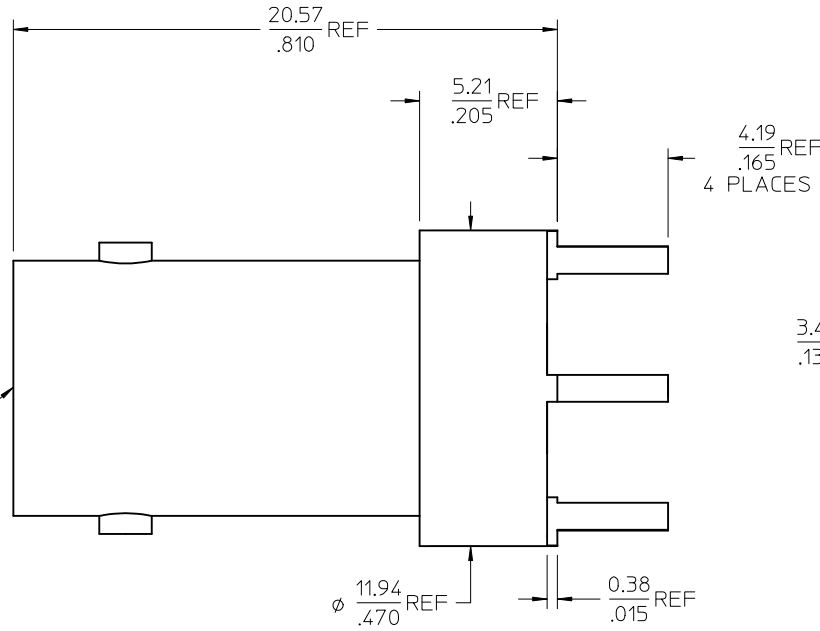
MATERIALS AND FINISHES

BODY, PRESS RING: BRASS  
PLATED NICKEL

CONTACT: BERYLLIUM COPPER  
PLATED GOLD

INSULATOR: TEFLON

75 OHM INTERFACE



RECOMMENDED PCB LAYOUT

73171-3231	ONE PER BAG
73171-3230	TRAY

PART NO.	PACKAGING
----------	-----------

PS-89675-2020	PRODUCT SPECIFICATION
SPECIFICATION	DESCRIPTION

CHG: ADD -3231

EC NO: URF2011-0572

2011/03/30

DRWN:JWIENER

2011/03/30

CHKD:SSS

2011/04/01

APPR:JWIENER

REV	DESCRIPTION
B2	

QUALITY SYMBOLS

▽=0

▽=0

GENERAL TOLERANCES (UNLESS SPECIFIED)	
mm	INCH
4 PLACES ± .005	± .0004
3 PLACES ± .005	± .0004
2 PLACES ± .005	± .0004
1 PLACE ± .005	± .0004
ANGULAR ± 2 °	
DRAFT WHERE APPLICABLE MUST REMAIN WITHIN DIMENSIONS	

DIMENSION STYLE	
MM/IN	
DRAWN BY	DATE
AZR	2007/05/29
CHECKED BY	DATE
SSS	2007/05/29
APPROVED BY	DATE
JDW	2007/05/29
MATERIAL NO.	DOCUMENT NO.
SEE TABLE	SD-73171-323
SIZE	THIS DRAWING CONTAINS INFORMATION THAT IS PROPRIETARY TO MOLEX INCORPORATED AND SHOULD NOT BE USED WITHOUT WRITTEN PERMISSION

SCALE	DESIGN UNITS	THIRD ANGLE PROJECTION
METRIC		
TITLE		
BNC JACK PCB 3GHZ 75 OHM VERTICAL		
BNC-J/PCB, EWR-3355		
MOLEX MOLEX INCORPORATED		
SHEET NO.		1 OF 1