



Chipsmall Limited consists of a professional team with an average of over 10 year of expertise in the distribution of electronic components. Based in Hongkong, we have already established firm and mutual-benefit business relationships with customers from,Europe,America and south Asia,supplying obsolete and hard-to-find components to meet their specific needs.

With the principle of “Quality Parts,Customers Priority,Honest Operation,and Considerate Service”,our business mainly focus on the distribution of electronic components. Line cards we deal with include Microchip,ALPS,ROHM,Xilinx,Pulse,ON,Everlight and Freescale. Main products comprise IC,Modules,Potentiometer,IC Socket,Relay,Connector.Our parts cover such applications as commercial,industrial, and automotives areas.

We are looking forward to setting up business relationship with you and hope to provide you with the best service and solution. Let us make a better world for our industry!



Contact us

Tel: +86-755-8981 8866 Fax: +86-755-8427 6832

Email & Skype: info@chipsmall.com Web: www.chipsmall.com

Address: A1208, Overseas Decoration Building, #122 Zhenhua RD., Futian, Shenzhen, China



MATERIALS AND FINISH

BODY: ZINC ALLOY
PLATED TIN OVER NICKEL OVER COPPER

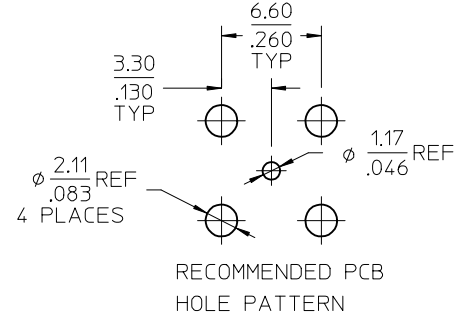
CENTER CONTACT: PHOSPHOR BRONZE
PLATED SEE TABLE

INSULATOR: TEFLON

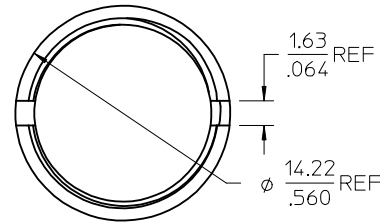
LOW PROFILE JAM NUT, HEX HEAD NUT: BRASS
PLATED NICKEL

WASHER: PHOSPHOR BRONZE
PLATED NICKEL

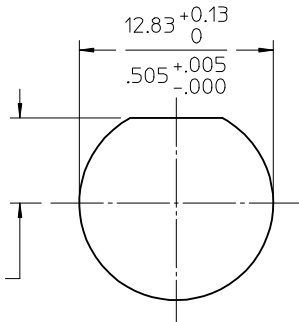
ALL PARTS PACKAGED IN TRAYS
EXCEPT AS NOTED



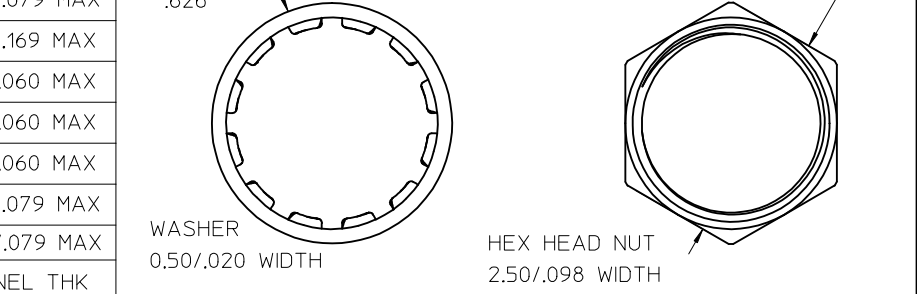
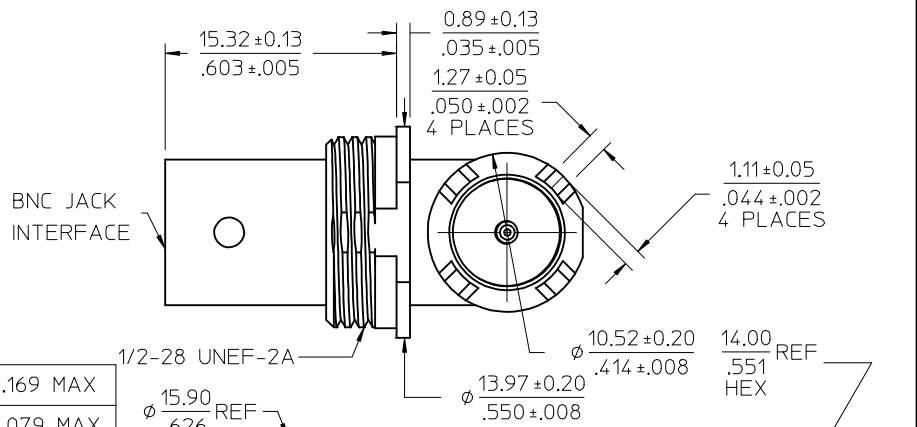
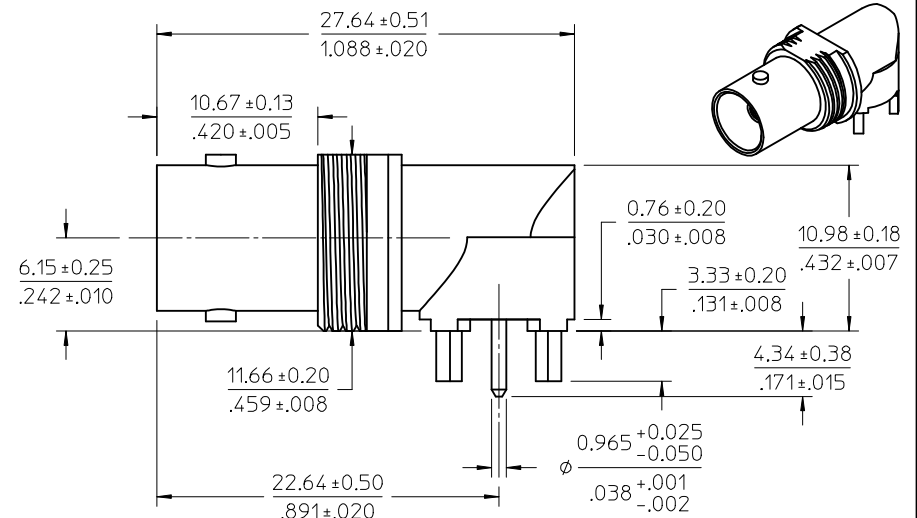
RECOMMENDED PCB HOLE PATTERN



LOW PROFILE JAM NUT
2.50/.098 WIDTH



RECOMMENDED PANEL CUTOUT
MAX PANEL THICKNESS: SEE TABLE



73171-3357	10u GOLD CONTACT/ HARDWARE NOT INCLUDED	4.30/.169 MAX
73171-3356	73171-3350 PACKED ONE PER BAG	2.00/.079 MAX
73171-3355	30u GOLD CONTACT/ HARDWARE NOT INCLUDED	4.30/.169 MAX
73171-3354	10u GOLD CONTACT/ HARDWARE INCL'D: LOW PROFILE JAM NUT & WASHER	1.52/.060 MAX
73171-3353	30u GOLD CONTACT/ HARDWARE INCLUDED: WASHER AND HEX HEAD NUT	1.52/.060 MAX
73171-3352	10u GOLD CONTACT/ HARDWARE INCLUDED: WASHER AND HEX HEAD NUT	1.52/.060 MAX
73171-3351	30u GOLD CONTACT/ HARDWARE INCLUDED: LOW PROFILE JAM NUT ONLY	2.00/.079 MAX
73171-3350	10u GOLD CONTACT/ HARDWARE INCLUDED: LOW PROFILE JAM NUT ONLY	2.00/.079 MAX
PART NO.	DESCRIPTION:	PANEL THK

PS-89675-2020	ELECTRICAL/MECHANICAL
SPECIFICATION	DESCRIPTION

CHG: REVISED PANEL THK OF -3355/-3357	DESCRIPTION
EC NO: URF2015-0439	2015/02/11
DRW: WME102	2015/02/11
CHKD: CHENG	2015/02/11
APPR: YCHENG	2015/02/11
B1	REV

QUALITY SYMBOLS	GENERAL TOLERANCES (UNLESS SPECIFIED)
▽=0	
▽=0	
	ANGULAR ± 2 °
	DRAFT WHERE APPLICABLE MUST REMAIN WITHIN DIMENSIONS

DIMENSION STYLE	SCALE	DESIGN UNITS	THIRD ANGLE PROJECTION
MM/IN	METRIC		
DRAWN BY	DATE	TITLE	
JDW	2008/01/17	BNC JACK RA PCB 75 OHM	
CHECKED BY	DATE	3 GHZ BULKHEAD RM	
SSS	2008/01/17	EWR 3520 BNC-J/PCB	
APPROVED BY	DATE		
JWIENER	2010/02/03		
MATERIAL NO.	DOCUMENT NO.		
SEE TABLE	SD-73171-335		
SIZE			
C			

MOLEX INCORPORATED		SHEET NO.
THIS DRAWING CONTAINS INFORMATION THAT IS PROPRIETARY TO MOLEX INCORPORATED AND SHOULD NOT BE USED WITHOUT WRITTEN PERMISSION		1 OF 1