



Chipsmall Limited consists of a professional team with an average of over 10 year of expertise in the distribution of electronic components. Based in Hongkong, we have already established firm and mutual-benefit business relationships with customers from,Europe,America and south Asia,supplying obsolete and hard-to-find components to meet their specific needs.

With the principle of “Quality Parts,Customers Priority,Honest Operation,and Considerate Service”,our business mainly focus on the distribution of electronic components. Line cards we deal with include Microchip,ALPS,ROHM,Xilinx,Pulse,ON,Everlight and Freescale. Main products comprise IC,Modules,Potentiometer,IC Socket,Relay,Connector.Our parts cover such applications as commercial,industrial, and automotives areas.

We are looking forward to setting up business relationship with you and hope to provide you with the best service and solution. Let us make a better world for our industry!



Contact us

Tel: +86-755-8981 8866 Fax: +86-755-8427 6832

Email & Skype: info@chipsmall.com Web: www.chipsmall.com

Address: A1208, Overseas Decoration Building, #122 Zhenhua RD., Futian, Shenzhen, China



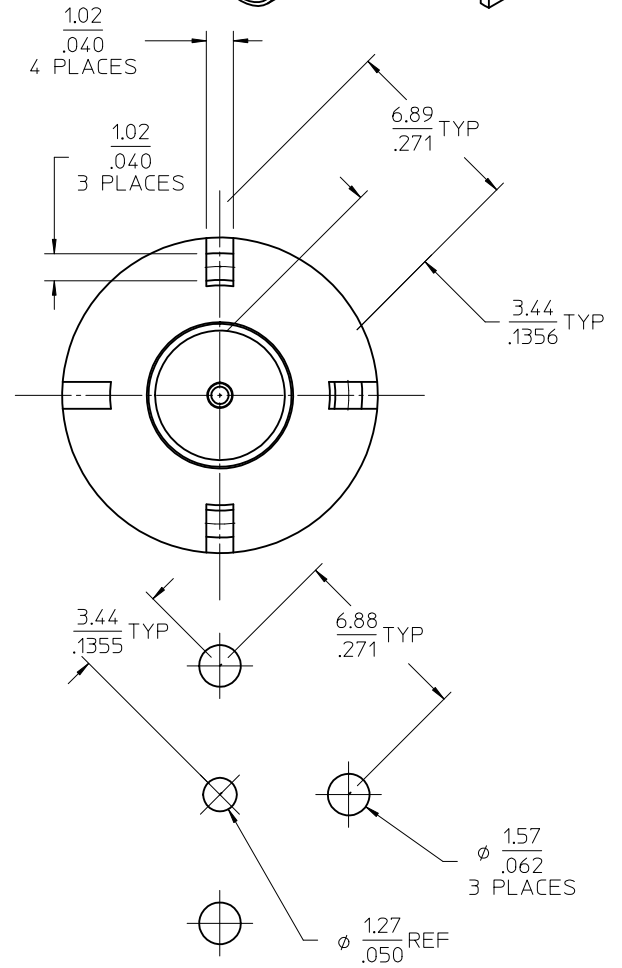
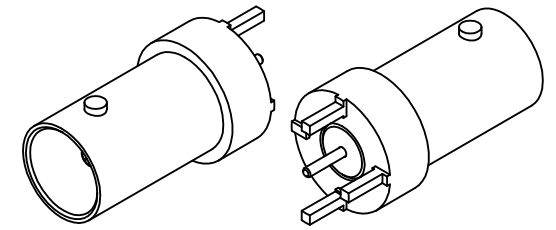
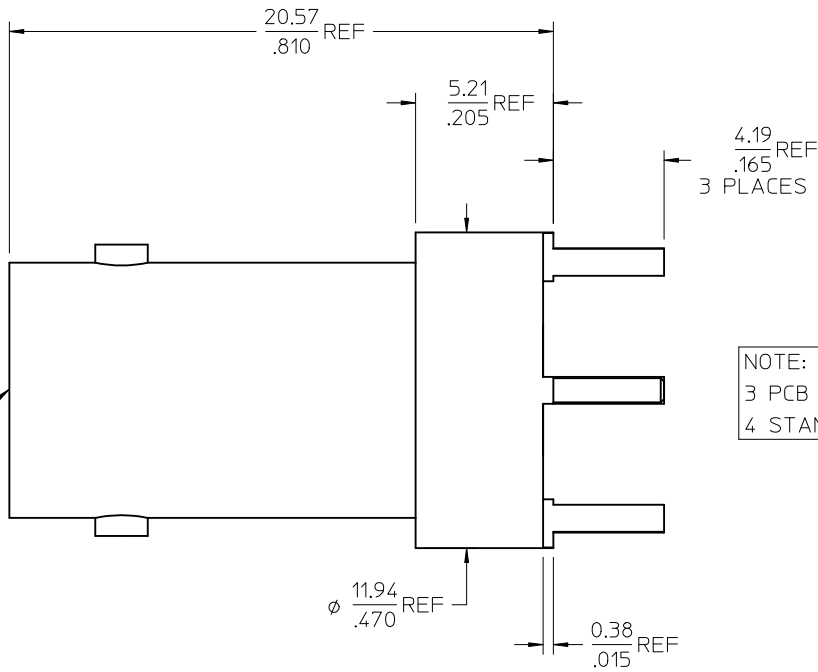
MATERIALS AND FINISHES

BODY, PRESS RING: BRASS
PLATED NICKEL

CONTACT: BERYLLIUM COPPER
PLATED GOLD

INSULATOR: TEFLON

BNC JACK
75 OHM INTERFACE



NOTE:
3 PCB LEGS
4 STANDOFFS

SUGGESTED PCB LAYOUT

73171-3541	ONE PER BAG
73171-3540	TRAY
PART NO.	PACKAGING

PS-89675-2020	PRODUCT SPECIFICATION
SPECIFICATION	DESCRIPTION

CHG: ADD PS AND -3541	EC NO: URF2011-0572	2011/03/30
	DRWN:JWIENER	2011/03/30
A1	CHKD:SSS	2011/03/30
	APPR:JWIENER	2011/04/01

QUALITY SYMBOLS	▽=0
	▽=0

GENERAL TOLERANCES (UNLESS SPECIFIED)	
	mm
	INCH
4 PLACES	± .005
3 PLACES	± .005
2 PLACES	± .005
1 PLACE	± .005
ANGULAR ± 2°	
DRAFT WHERE APPLICABLE MUST REMAIN WITHIN DIMENSIONS	

DIMENSION STYLE		SCALE	DESIGN UNITS	THIRD ANGLE PROJECTION
MM/IN			METRIC	
DRAWN BY	DATE	TITLE		
JDW	2008/07/16	BNC JACK PCB 3GHZ 75 OHM VERTICAL		
CHECKED BY	DATE			
SSS	2008/07/16			
APPROVED BY	DATE			
JDW	2008/07/16			
MATERIAL NO.	DOCUMENT NO.			
SEE TABLE	SD-73171-354			
SIZE	THIS DRAWING CONTAINS INFORMATION THAT IS PROPRIETARY TO MOLEX INCORPORATED AND SHOULD NOT BE USED WITHOUT WRITTEN PERMISSION			

MOLEX INCORPORATED		SHEET NO.
		1 OF 1