



Chipsmall Limited consists of a professional team with an average of over 10 year of expertise in the distribution of electronic components. Based in Hongkong, we have already established firm and mutual-benefit business relationships with customers from,Europe,America and south Asia,supplying obsolete and hard-to-find components to meet their specific needs.

With the principle of “Quality Parts,Customers Priority,Honest Operation,and Considerate Service”,our business mainly focus on the distribution of electronic components. Line cards we deal with include Microchip,ALPS,ROHM,Xilinx,Pulse,ON,Everlight and Freescale. Main products comprise IC,Modules,Potentiometer,IC Socket,Relay,Connector.Our parts cover such applications as commercial,industrial, and automotives areas.

We are looking forward to setting up business relationship with you and hope to provide you with the best service and solution. Let us make a better world for our industry!



## Contact us

Tel: +86-755-8981 8866 Fax: +86-755-8427 6832

Email & Skype: info@chipsmall.com Web: www.chipsmall.com

Address: A1208, Overseas Decoration Building, #122 Zhenhua RD., Futian, Shenzhen, China



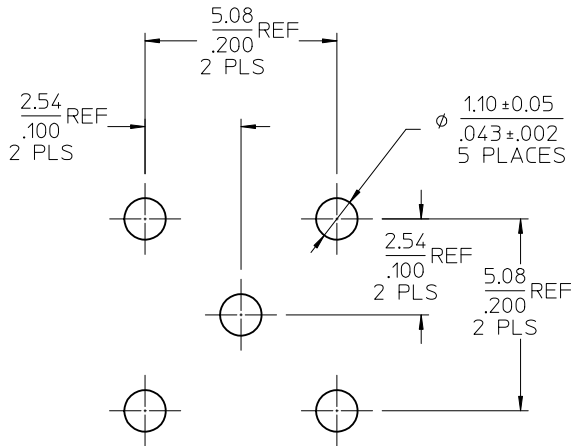
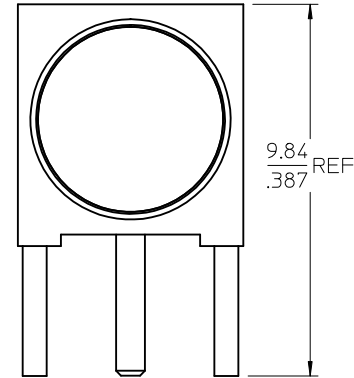
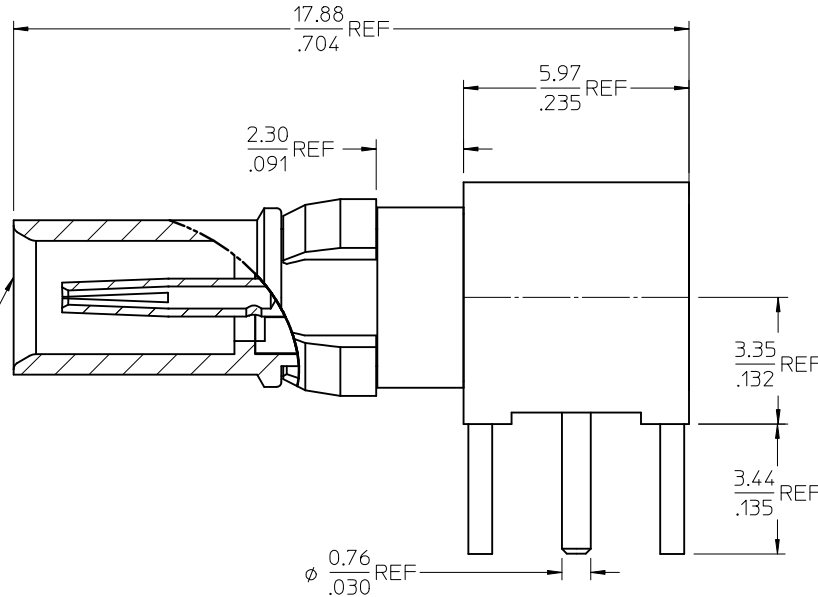
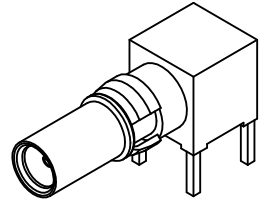
MATERIALS AND FINISHES:

BODY, CAP BRASS  
PLATED GOLD

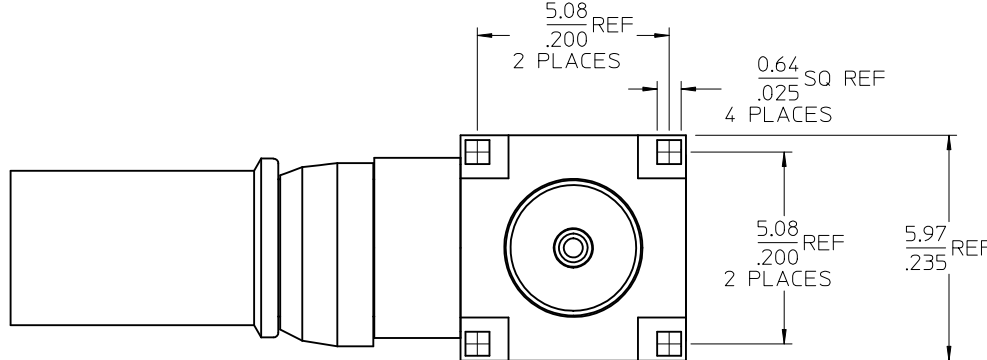
CONTACT BERYLLIUM COPPER  
PLATED GOLD

INSULATOR TEFLON

RETAINING RING BERYLLIUM COPPER  
PLATED NICKEL



RECOMMENDED HOLE LAYOUT



DIN 41626	INTERFACE SPECIFICATION
SPECIFICATION	DESCRIPTION

73174-0042	ONE PER BAG
73174-0040	TRAY
PART NO.	PACKAGING

CHG: ADD -0042

EC NO: URF2011-0577

DRWN: WIENER 2011/04/04

CHKD: AZR 2011/04/04

APPR: WIENER 2011/04/05

REV: A1

QUALITY SYMBOLS	GENERAL TOLERANCES (UNLESS SPECIFIED)
▽=0	mm INCH
▽=0	4 PLACES ± --- ± ---
	3 PLACES ± --- ± ---
	2 PLACES ± --- ± ---
	1 PLACE ± --- ± ---
	ANGULAR ± 2 °
	DRAFT WHERE APPLICABLE MUST REMAIN WITHIN DIMENSIONS

DIMENSION STYLE MM/IN	
DRAWN BY TEF	DATE 2001/08/08
CHECKED BY SSS	DATE 2001/08/08
APPROVED BY GMH	DATE 2001/08/08
MATERIAL NO. SEE TABLE	

SCALE METRIC	DESIGN UNITS METRIC	THIRD ANGLE PROJECTION
TITLE		
DIN 41626/1.0 2.3 JACK		
R/A, PCB, 50 OHM		
EWR-1659 1.0/2.3-J/RA		
MOLEX INCORPORATED		SHEET NO. 1 OF 1
DOCUMENT NO. SD-73174-004		
THIS DRAWING CONTAINS INFORMATION THAT IS PROPRIETARY TO MOLEX INCORPORATED AND SHOULD NOT BE USED WITHOUT WRITTEN PERMISSION		