



Chipsmall Limited consists of a professional team with an average of over 10 year of expertise in the distribution of electronic components. Based in Hongkong, we have already established firm and mutual-benefit business relationships with customers from,Europe,America and south Asia,supplying obsolete and hard-to-find components to meet their specific needs.

With the principle of “Quality Parts,Customers Priority,Honest Operation,and Considerate Service”,our business mainly focus on the distribution of electronic components. Line cards we deal with include Microchip,ALPS,ROHM,Xilinx,Pulse,ON,Everlight and Freescale. Main products comprise IC,Modules,Potentiometer,IC Socket,Relay,Connector.Our parts cover such applications as commercial,industrial, and automotives areas.

We are looking forward to setting up business relationship with you and hope to provide you with the best service and solution. Let us make a better world for our industry!



Contact us

Tel: +86-755-8981 8866 Fax: +86-755-8427 6832

Email & Skype: info@chipsmall.com Web: www.chipsmall.com

Address: A1208, Overseas Decoration Building, #122 Zhenhua RD., Futian, Shenzhen, China



MATERIALS AND FINISHES

BODY, FERRULE, WASHER, BUSHING BRASS
PLATED NCKEL

CENTER CONTACT BRASS
PLATED GOLD

INSULATOR, WASHER TEFLON

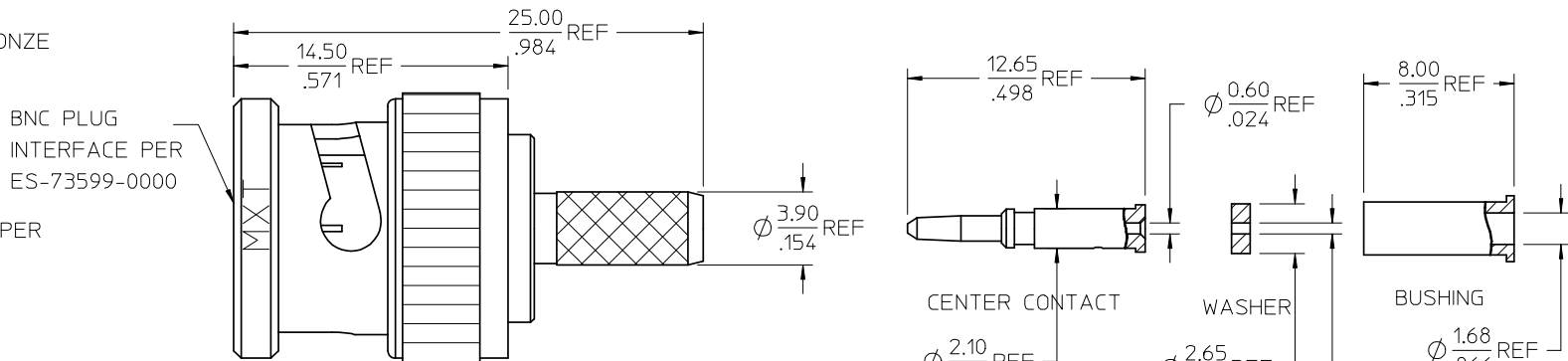
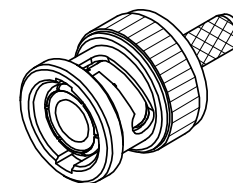
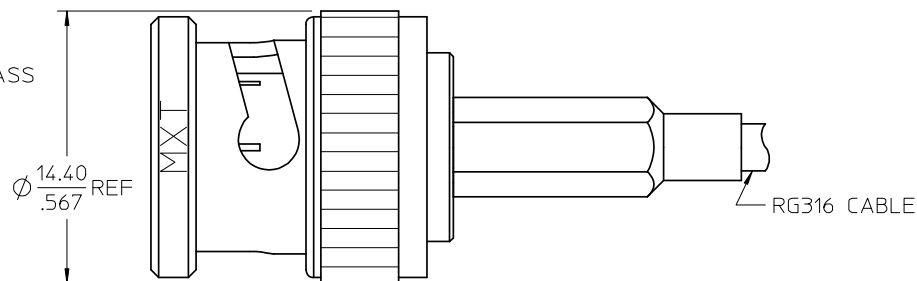
SPRING WASHER PHOSPHOR BRONZE
PLATED NICKEL

COUPLING NUT ZINC ALLOY
PLATED NICKEL

RETAINING RING BERYLLIUM COPPER
PLATED NICKEL

GASKET SILICONE RUBBER

CABLE ATTACHMENT:
CENTER CONDUCTOR: SOLDER/CRIMP USING 1.69 HEX
FERRULE: CRIMP USING 4.52 HEX

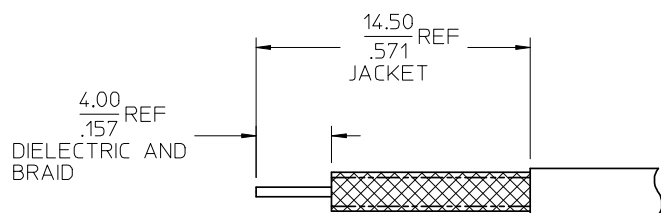


BNC PLUG
INTERFACE PER
ES-73599-0000

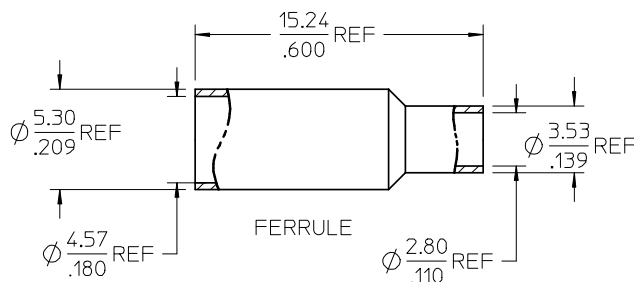
CENTER CONTACT

WASHER

BUSHING



CABLE STRIP DIMENSIONS



FERRULE

AS-73597-0031	CABLE ASSY INSTRUCT.
PS-73598-0024	ELECTRO/MECH SPEC.
SPECIFICATION	DESCRIPTION

73171-3160	73174-0073, ONE PER BAG
73174-0073	INDIVIDUAL BAGS
PART NO.	PACKAGING

CHG: REMOVE KNURL FROM CONTACT VIEW
 $\phi 2.10$ REF WAS 3 PLACES

EC NO: URF2008-0496
2008/04/01
DRWN: WIENER
CHKD: SHAH
APPR: WIENER
2008/04/01

DESCRIPTION

QUALITY SYMBOLS

$\blacktriangledown = 0$
 $\blacktriangle = 0$

GENERAL TOLERANCES (UNLESS SPECIFIED)		DIMENSION STYLE	SCALE	DESIGN UNITS	THIRD ANGLE PROJECTION
		MM/IN		METRIC	
4 PLACES	\pm ---	DRAWN BY	DATE	TITLE	
3 PLACES	\pm ---	CHECKED BY	DATE	BNC PLUG, STR FOR RG316 50 OHMS BNC-PC	
2 PLACES	\pm ---	APPROVED BY	DATE	MOLEX INCORPORATED	
1 PLACE	\pm ---	KHW	1993/03/15	SD-73174-0073	
ANGULAR \pm ---°		MATERIAL NO.	DOCUMENT NO.	SHEET NO.	
DRAFT WHERE APPLICABLE MUST REMAIN WITHIN DIMENSIONS		SEE TABLE		1 OF 1	
THIS DRAWING CONTAINS INFORMATION THAT IS PROPRIETARY TO MOLEX INCORPORATED AND SHOULD NOT BE USED WITHOUT WRITTEN PERMISSION					