



Chipsmall Limited consists of a professional team with an average of over 10 year of expertise in the distribution of electronic components. Based in Hongkong, we have already established firm and mutual-benefit business relationships with customers from,Europe,America and south Asia,supplying obsolete and hard-to-find components to meet their specific needs.

With the principle of “Quality Parts,Customers Priority,Honest Operation,and Considerate Service”,our business mainly focus on the distribution of electronic components. Line cards we deal with include Microchip,ALPS,ROHM,Xilinx,Pulse,ON,Everlight and Freescale. Main products comprise IC,Modules,Potentiometer,IC Socket,Relay,Connector.Our parts cover such applications as commercial,industrial, and automotives areas.

We are looking forward to setting up business relationship with you and hope to provide you with the best service and solution. Let us make a better world for our industry!



Contact us

Tel: +86-755-8981 8866 Fax: +86-755-8427 6832

Email & Skype: info@chipsmall.com Web: www.chipsmall.com

Address: A1208, Overseas Decoration Building, #122 Zhenhua RD., Futian, Shenzhen, China



MATERIALS AND FINISHES

BODY, WASHER, RETAINING RING BRASS
PLATED NICKEL

CENTER CONTACT BRASS
PLATED GOLD

INSULATOR TEFLON

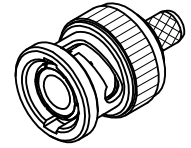
COUPLING NUT ZINC ALLOY
PLATED NICKEL

SPRING WASHER PHOSPHOR BRONZE
PLATED NICKEL

GASKET SILICONE RUBBER

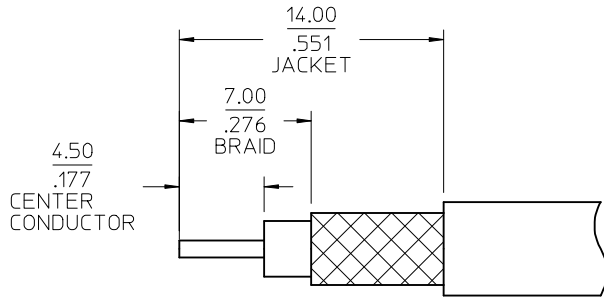
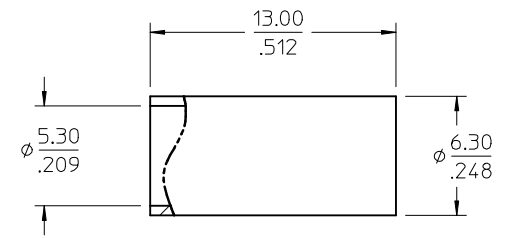
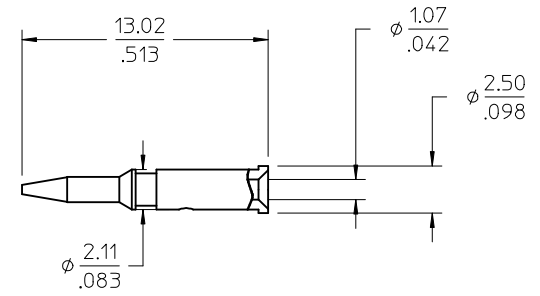
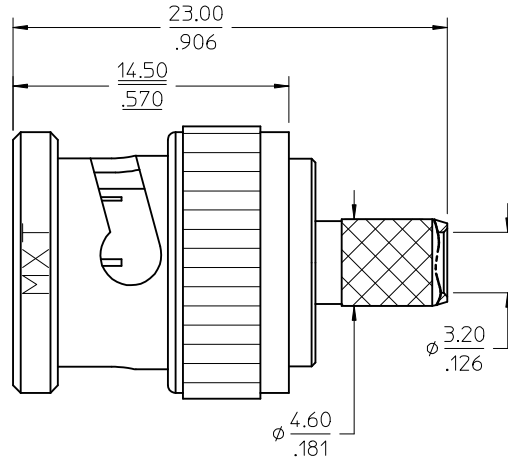
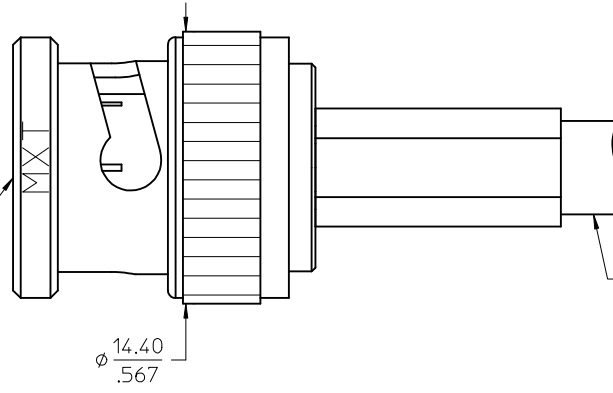
CABLE ATTACHMENT:

INNER CONTACT: SOLDER OR CRIMP USING 4.29 (1.69) HEX
CRIMP TUBE: CRIMP USING 5.41 (.213) HEX



INTERFACE PER
MOLEX STANDARD
ES-73599-0000

RG58/RG141 CABLE



RECOMMENDED STRIP DIMENSION

PS-89675-1030	PRODUCT SPECIFICATION
SPECIFICATION	DESCRIPTION

73171-3170	73174-0093, ONE PER BAG
73174-0093	INDIVIDUAL PLASTIC BAGS
PART NO.	PACKAGING

CHG: CONTACT REAR HOLE ϕ .042 WAS ϕ .039 DELETE REF FROM DIMENSIONS DELETE CABLE ASSEMBLY SPEC PS-89675-103 WAS PS-73598-0024
 EC NO: URF2010-0237
 DRWN: WIENER 2009/10/22
 CHKD: SHAH 2009/10/22
 APPR: WIENER 2009/10/22

QUALITY SYMBOLS

 DESCRIPTION
 REV: C2

GENERAL TOLERANCES (UNLESS SPECIFIED)

	mm	INCH
4 PLACES	\pm .005	\pm .0002
3 PLACES	\pm .002	\pm .0001
2 PLACES	\pm .001	\pm .00005
1 PLACE	\pm .0005	\pm .00002

 ANGULAR \pm 2°
 DRAFT WHERE APPLICABLE MUST REMAIN WITHIN DIMENSIONS

DIMENSION STYLE: MM/IN
 DRAWN BY: KELLY DATE: 1992/06/20
 CHECKED BY: DATE:
 APPROVED BY: DATE:
 MATERIAL NO.: SEE TABLE
 SIZE: C

SCALE: DESIGN UNITS: METRIC
 THIRD ANGLE PROJECTION
 TITLE: BNC PLUG, STR FOR RG58, RG141 CRIMP/CRIMP, 50 OHM BNC-PC
 MOLEX INCORPORATED
 DOCUMENT NO.: SD-73174-0093
 SHEET NO.: 1 OF 1
 THIS DRAWING CONTAINS INFORMATION THAT IS PROPRIETARY TO MOLEX INCORPORATED AND SHOULD NOT BE USED WITHOUT WRITTEN PERMISSION