



Chipsmall Limited consists of a professional team with an average of over 10 year of expertise in the distribution of electronic components. Based in Hongkong, we have already established firm and mutual-benefit business relationships with customers from,Europe,America and south Asia,supplying obsolete and hard-to-find components to meet their specific needs.

With the principle of “Quality Parts,Customers Priority,Honest Operation,and Considerate Service”,our business mainly focus on the distribution of electronic components. Line cards we deal with include Microchip,ALPS,ROHM,Xilinx,Pulse,ON,Everlight and Freescale. Main products comprise IC,Modules,Potentiometer,IC Socket,Relay,Connector.Our parts cover such applications as commercial,industrial, and automotives areas.

We are looking forward to setting up business relationship with you and hope to provide you with the best service and solution. Let us make a better world for our industry!



## Contact us

Tel: +86-755-8981 8866 Fax: +86-755-8427 6832

Email & Skype: info@chipsmall.com Web: www.chipsmall.com

Address: A1208, Overseas Decoration Building, #122 Zhenhua RD., Futian, Shenzhen, China



MATERIALS AND FINISHES

BODY ZINC ALLOY  
PLATED NICKEL

CENTER CONTACT PHOSPHOR BRONZE  
PLATED GOLD

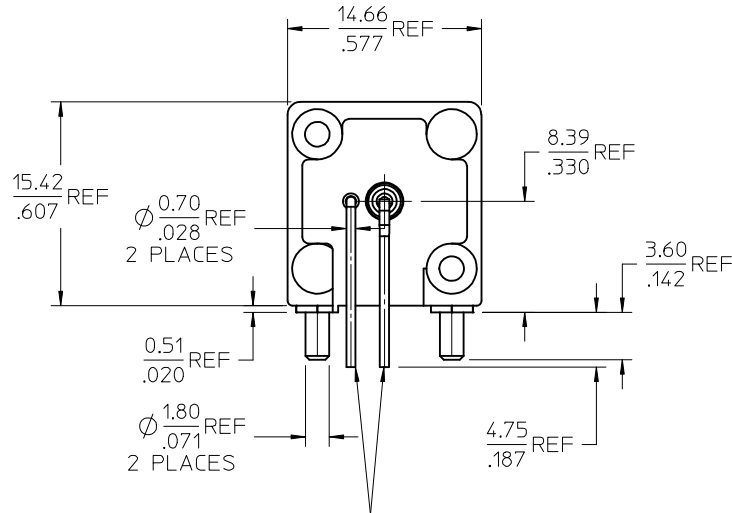
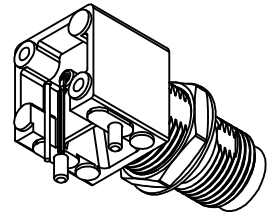
INSULATOR POLYPROPYLENE

MOUNTING POST BRASS  
PLATED TIN

SOLDER TAIL STEEL  
PLATED TIN

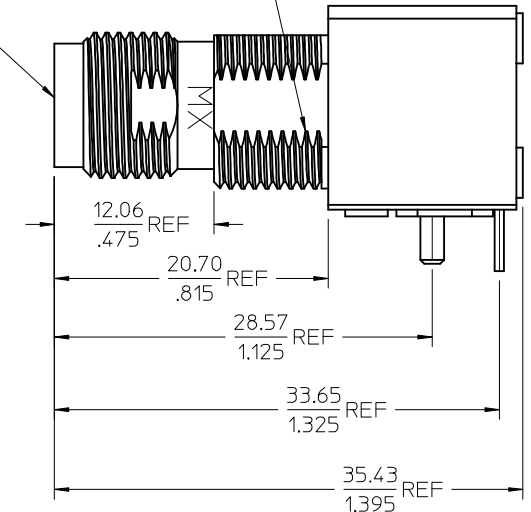
WASHER PHOSPHOR BRONZE  
PLATED NICKEL

JAM NUT BRASS  
PLATED NICKEL

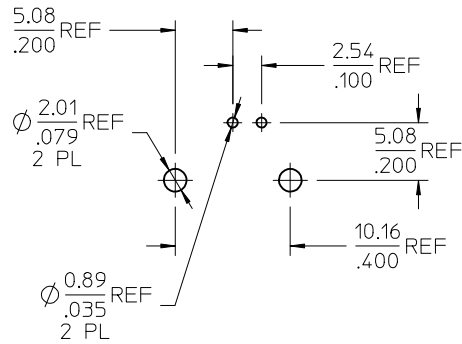


TNC JACK  
50 OHM  
INTERFACE

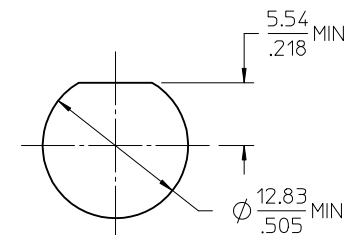
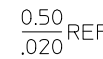
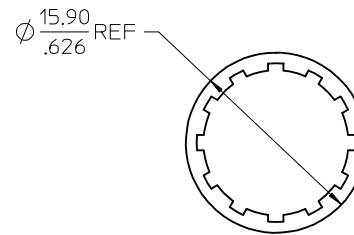
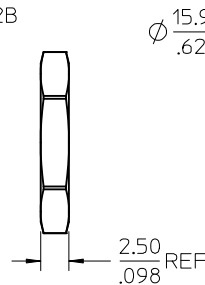
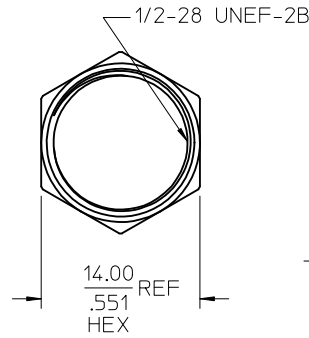
1/2-28 UNEF-2A



NOTE: THESE LEADS ADJUSTABLE TO FIT  
PCB PATTERN DURING INSTALLATION



RECOMMENDED PCB LAYOUT



RECOMMENDED MOUNTING HOLE  
MAXIMUM PANEL THICKNESS: 5.4mm (.213)  
RECOMMENDED MOUNTING TORQUE:  
1.36 N-M (12 INCH-POUNDS MAX)

PART NUMBER: 73205-5033

CHG: CONVERT TO SD	DATE: 2008/09/24
EC NO: URF2009-0148	DATE: 2008/09/24
DRWN: WIENER	DATE: 2008/09/24
CHKD: SHAH	DATE: 2008/09/24
APPR: WIENER	DATE: 2008/09/24
REV: A1	

QUALITY SYMBOLS	GENERAL TOLERANCES (UNLESS SPECIFIED)
▽=0	mm INCH
▽=0	4 PLACES ± --- ± ---
	3 PLACES ± --- ± ---
	2 PLACES ± --- ± ---
	1 PLACE ± --- ± ---
	ANGULAR ± 2 °
	DRAFT WHERE APPLICABLE MUST REMAIN WITHIN DIMENSIONS

DIMENSION STYLE MM/IN	
DRAWN BY JOE	DATE 96/07/11
CHECKED BY	DATE
APPROVED BY	DATE 96/07/11
MATERIAL NO. 732055033	DOCUMENT NO. SD-73205-5033
SIZE C	THIS DRAWING CONTAINS INFORMATION THAT IS PROPRIETARY TO MOLEX INCORPORATED AND SHOULD NOT BE USED WITHOUT WRITTEN PERMISSION

SCALE METRIC	DESIGN UNITS METRIC	THIRD ANGLE PROJECTION
TNC JACK R/A PCB 50 OHM TNC - J/RA/PCB		
MOLEX MOLEX INCORPORATED		
SHEET NO. 1 OF 1		