



Chipsmall Limited consists of a professional team with an average of over 10 year of expertise in the distribution of electronic components. Based in Hongkong, we have already established firm and mutual-benefit business relationships with customers from,Europe,America and south Asia,supplying obsolete and hard-to-find components to meet their specific needs.

With the principle of "Quality Parts,Customers Priority,Honest Operation,and Considerate Service",our business mainly focus on the distribution of electronic components. Line cards we deal with include Microchip,ALPS,ROHM,Xilinx,Pulse,ON,Everlight and Freescale. Main products comprise IC,Modules,Potentiometer,IC Socket,Relay,Connector.Our parts cover such applications as commercial,industrial, and automotives areas.

We are looking forward to setting up business relationship with you and hope to provide you with the best service and solution. Let us make a better world for our industry!



Contact us

Tel: +86-755-8981 8866 Fax: +86-755-8427 6832

Email & Skype: info@chipsmall.com Web: www.chipsmall.com

Address: A1208, Overseas Decoration Building, #122 Zhenhua RD., Futian, Shenzhen, China



MATERIALS AND FINISHES

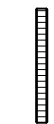
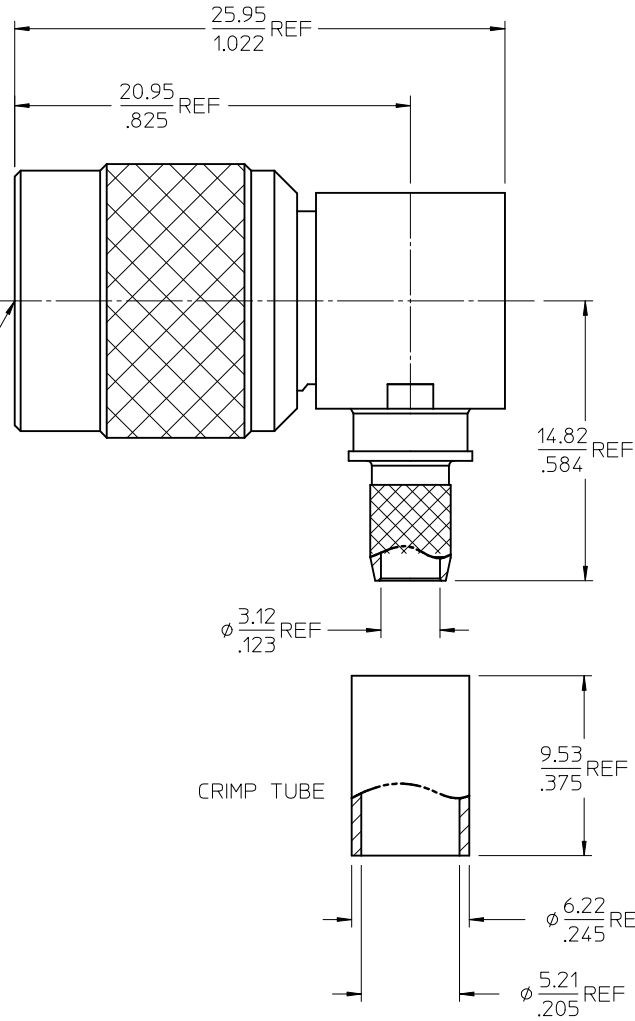
BODY, CRIMP TUBE, CAP,
SLEEVE, COUPLING NUT: BRASS
PLATED NICKEL

CENTER CONTACT BRASS
PLATED GOLD

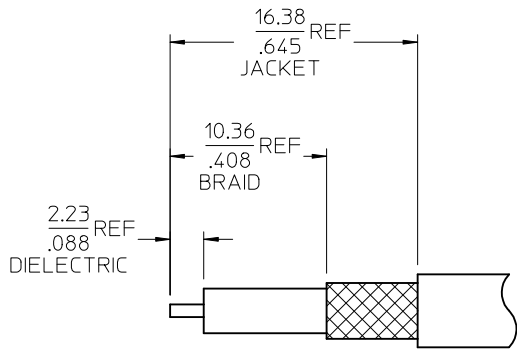
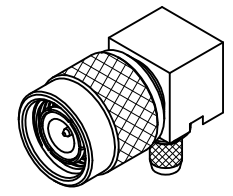
INSULATOR TEFLON

GASKET SILICONE RUBBER

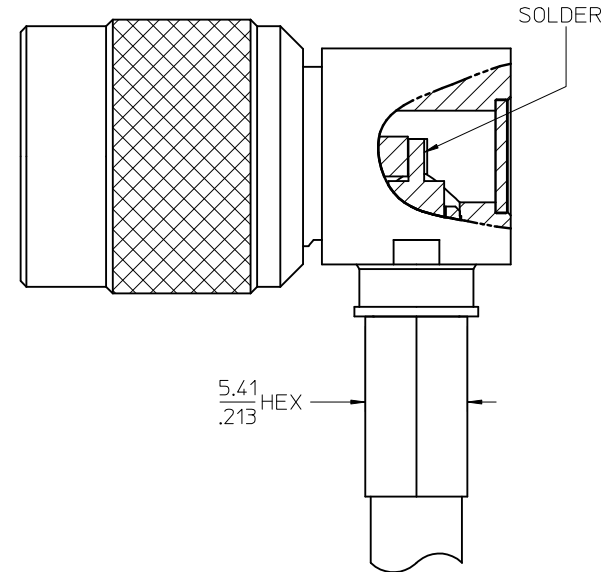
TNC PLUG
INTERFACE



CAP



CABLE STRIP DIMENSIONS



CRIMP TUBE

SOLDER

NOTE: 73216-0050 IS
SAME AS 73216-1510

73216-0051	ONE PER BAG
73216-0050	STANDARD
PART NO.	PACKAGING

PS-89675-1400	ELECTRICAL/MECHANICAL
SPECIFICATION	DESCRIPTION

CHG: ADD -0051 PS WAS ES-73599-0000-003 EC NO: URF2011-0614 DRWN: WIENER 2011/04/19 CHKD: SSS 2011/04/19 APPR: WIENER 2011/04/20 REV: A3	QUALITY SYMBOLS ▽=0 ▽=0	GENERAL TOLERANCES (UNLESS SPECIFIED) 4 PLACES ± --- ± --- 3 PLACES ± --- ± --- 2 PLACES ± --- ± --- 1 PLACE ± --- ± --- ANGULAR ± 2°	DIMENSION STYLE MM/IN	SCALE DESIGN UNITS METRIC	THIRD ANGLE PROJECTION	
	DRAWN BY AZR	DATE 2008/10/15	TITLE TNC PLUG, R/A, 50 OHM FOR RG58, 141, 303 EWR-2717, TNC-PC	MOLEX INCORPORATED		
	CHECKED BY SSS	DATE 2008/10/15	APPROVED BY JDW	DATE 2008/10/15	MATERIAL NO. SEE TABLE	DOCUMENT NO. SD-73216-005
	DRAFT WHERE APPLICABLE MUST REMAIN WITHIN DIMENSIONS		SIZE C	THIS DRAWING CONTAINS INFORMATION THAT IS PROPRIETARY TO MOLEX INCORPORATED AND SHOULD NOT BE USED WITHOUT WRITTEN PERMISSION		