



Chipsmall Limited consists of a professional team with an average of over 10 year of expertise in the distribution of electronic components. Based in Hongkong, we have already established firm and mutual-benefit business relationships with customers from,Europe,America and south Asia,supplying obsolete and hard-to-find components to meet their specific needs.

With the principle of “Quality Parts,Customers Priority,Honest Operation,and Considerate Service”,our business mainly focus on the distribution of electronic components. Line cards we deal with include Microchip,ALPS,ROHM,Xilinx,Pulse,ON,Everlight and Freescale. Main products comprise IC,Modules,Potentiometer,IC Socket,Relay,Connector.Our parts cover such applications as commercial,industrial, and automotives areas.

We are looking forward to setting up business relationship with you and hope to provide you with the best service and solution. Let us make a better world for our industry!



Contact us

Tel: +86-755-8981 8866 Fax: +86-755-8427 6832

Email & Skype: info@chipsmall.com Web: www.chipsmall.com

Address: A1208, Overseas Decoration Building, #122 Zhenhua RD., Futian, Shenzhen, China



MATERIALS AND FINISHES

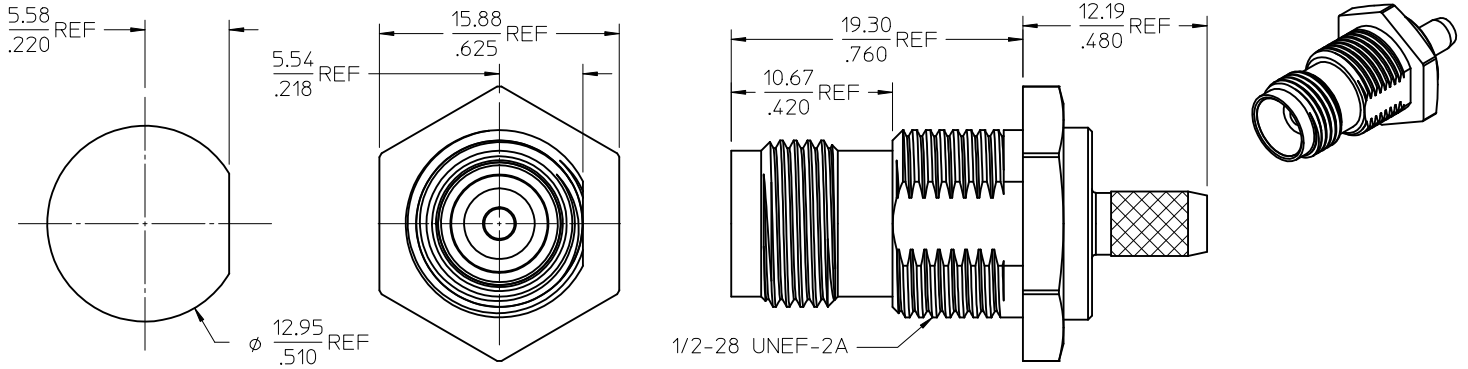
BODY, CRIMP TUBE, JAM NUT: BRASS
PLATED NICKEL

CONTACT: BERYLLIUM COPPER
PLATED GOLD

INSULATOR: TEFLON

LOCK WASHER: PHOSPHOR BRONZE
PLATED NICKEL

SHRINK TUBE: VERSAFIT OR EQUIVALENT

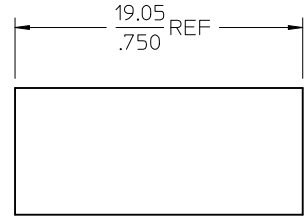
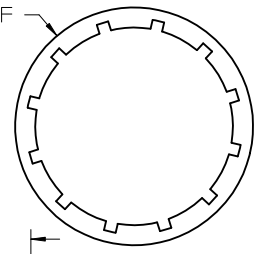
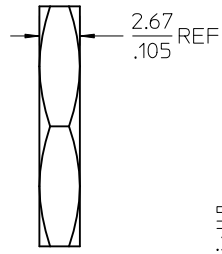
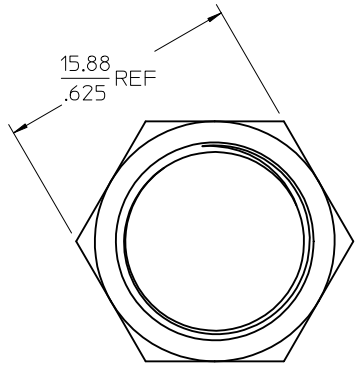


PANEL CUT-OUT

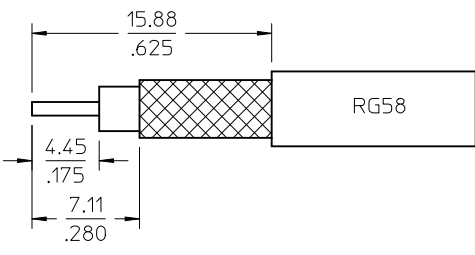
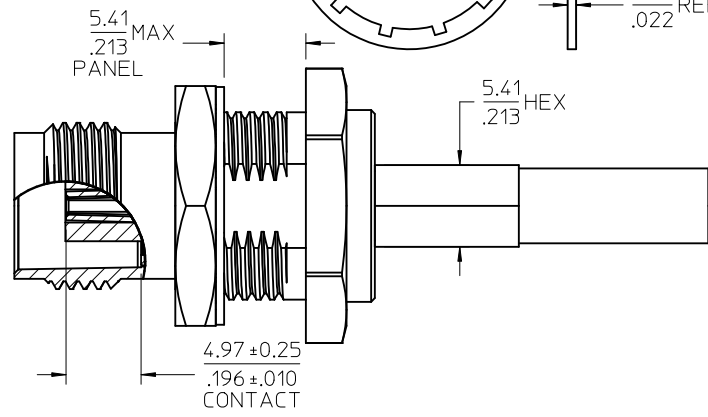
CRIMP TUBE

CONTACT
ZONE ANNEALED
FOR CRIMPING

CONTACT
SOLDER ONLY



SHRINK TUBE



73216-0103	CRIMP/SOLDER	NOT INCLUDED	ONE PER BAG
73216-0102	CRIMP/SOLDER	INCLUDED	STANDARD
73216-0101	SOLDER ONLY	NOT INCLUDED	STANDARD
73216-0100	CRIMP/SOLDER	NOT INCLUDED	STANDARD
PART NO.	CONTACT	SHRINK TUBE	PACKAGING

<p>CHG: "PACKAGING" WAS "FINISH" IN TABLE</p> <p>EC NO: URF2012-0398 DRAWN: BOMALLEY 2012/01/10 CHKD: AZR 2012/01/10 APPR: JMWENER 2012/01/11</p>			
DESCRIPTION	QUALITY SYMBOLS	GENERAL TOLERANCES (UNLESS SPECIFIED)	DIMENSION STYLE
	▽=0	mm INCH	MM/IN
	▽=0	4 PLACES ± --- ± ---	DRAWN BY DATE
		3 PLACES ± --- ± ---	AZR 2008/05/09
		2 PLACES ± --- ± ---	CHECKED BY DATE
		1 PLACE ± --- ± ---	SSS 2008/05/09
		ANGULAR ± 2 °	APPROVED BY DATE
			JDW 2008/05/09
		DRAFT WHERE APPLICABLE MUST REMAIN WITHIN DIMENSIONS	MATERIAL NO. SEE TABLE
			SCALE
			DESIGN UNITS
			METRIC
			THIRD ANGLE PROJECTION
			TITLE
			TNC JACK BULKHEAD STRAIGHT 50 OHM RG58 TNC-JC, EWR-1499
			MOLEX MOLEX INCORPORATED
			DOCUMENT NO.
			SD-73216-010
			SHEET NO.
			1 OF 1