



Chipsmall Limited consists of a professional team with an average of over 10 year of expertise in the distribution of electronic components. Based in Hongkong, we have already established firm and mutual-benefit business relationships with customers from,Europe,America and south Asia,supplying obsolete and hard-to-find components to meet their specific needs.

With the principle of “Quality Parts,Customers Priority,Honest Operation,and Considerate Service”,our business mainly focus on the distribution of electronic components. Line cards we deal with include Microchip,ALPS,ROHM,Xilinx,Pulse,ON,Everlight and Freescale. Main products comprise IC,Modules,Potentiometer,IC Socket,Relay,Connector.Our parts cover such applications as commercial,industrial, and automotives areas.

We are looking forward to setting up business relationship with you and hope to provide you with the best service and solution. Let us make a better world for our industry!



Contact us

Tel: +86-755-8981 8866 Fax: +86-755-8427 6832

Email & Skype: info@chipsmall.com Web: www.chipsmall.com

Address: A1208, Overseas Decoration Building, #122 Zhenhua RD., Futian, Shenzhen, China



MATERIALS AND FINISHES:

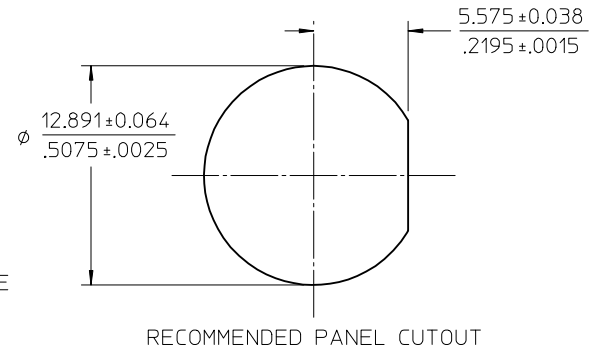
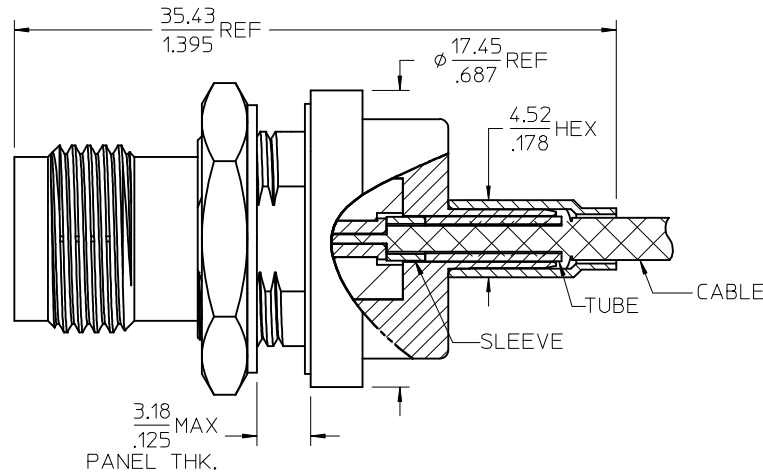
BODY, TUBE, CRIMP TUBE, JAMNUT BRASS
PLATED NICKEL

CENTER CONTACT BERYLLIUM COPPER
PLATED GOLD

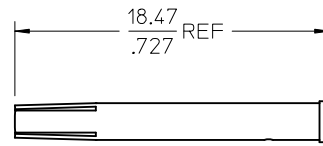
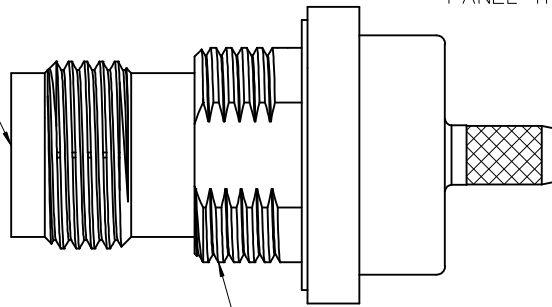
INSULATOR, SLEEVE TEFLON

LOCKWASHER PHOSPHOR BRONZE
PLATED NICKEL

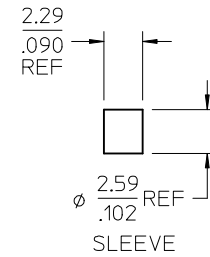
GASKET SILICONE RUBBER



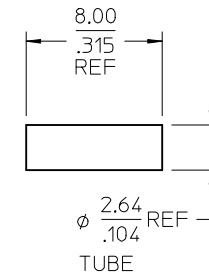
TNC JACK
INTERFACE



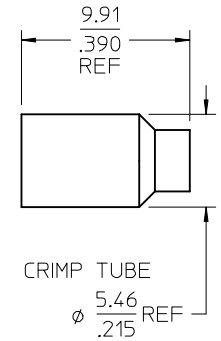
CONTACT



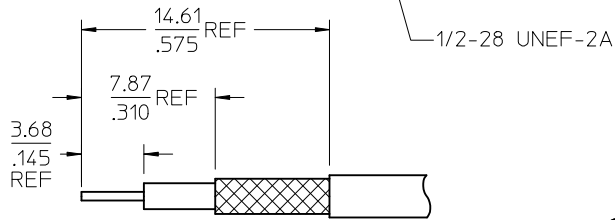
SLEEVE



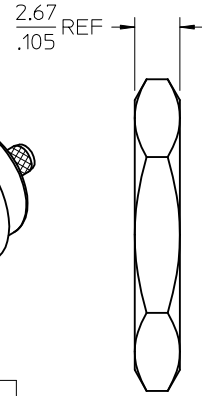
TUBE



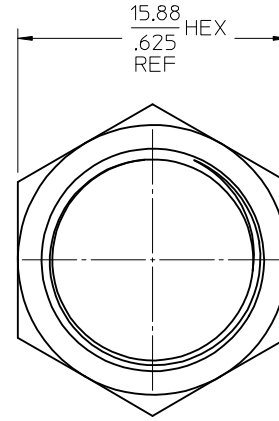
CRIMP TUBE



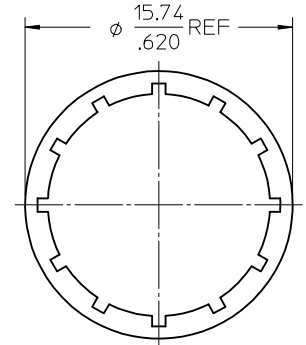
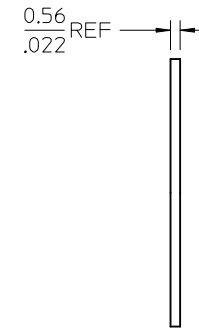
RECOMMENDED STRIPPING DIMENSION



JAMNUT



LOCKWASHER



MIL-STD-348A, FIG. 313.2	INTERFACE
SPECIFICATION	DESCRIPTION

73216-1331	ONE PER BAG
73216-1330	BULK
PART NO.	PACKAGING

CHG: UPDATE STRIP
EC NO: URF2013-0644
DRWN: WIENER 2013/05/16
CHKD: SSS 2013/05/16
APPR: WIENER 2013/05/21

QUALITY SYMBOLS
▽=0
▽=0

GENERAL TOLERANCES (UNLESS SPECIFIED)
4 PLACES ± .005
3 PLACES ± .004
2 PLACES ± .003
1 PLACE ± .002
ANGULAR ± 2°
DRAFT WHERE APPLICABLE MUST REMAIN WITHIN DIMENSIONS

DIMENSION STYLE MM/IN
DRAWN BY SSS DATE 2004/03/17
CHECKED BY TEF DATE 2004/03/17
APPROVED BY GMH DATE 2004/03/17
MATERIAL NO. SEE TABLE
SIZE C

SCALE DESIGN UNITS METRIC
THIRD ANGLE PROJECTION
TITLE TNC JACK, BLKHD, RG316 50 OHMS, EWR-2370 TNC-JC/BLKD
MOLEX INCORPORATED
DOCUMENT NO. SD-73216-133
SHEET NO. 1 OF 1
THIS DRAWING CONTAINS INFORMATION THAT IS PROPRIETARY TO MOLEX INCORPORATED AND SHOULD NOT BE USED WITHOUT WRITTEN PERMISSION