



Chipsmall Limited consists of a professional team with an average of over 10 year of expertise in the distribution of electronic components. Based in Hongkong, we have already established firm and mutual-benefit business relationships with customers from,Europe,America and south Asia,supplying obsolete and hard-to-find components to meet their specific needs.

With the principle of “Quality Parts,Customers Priority,Honest Operation,and Considerate Service”,our business mainly focus on the distribution of electronic components. Line cards we deal with include Microchip,ALPS,ROHM,Xilinx,Pulse,ON,Everlight and Freescale. Main products comprise IC,Modules,Potentiometer,IC Socket,Relay,Connector.Our parts cover such applications as commercial,industrial, and automotives areas.

We are looking forward to setting up business relationship with you and hope to provide you with the best service and solution. Let us make a better world for our industry!



Contact us

Tel: +86-755-8981 8866 Fax: +86-755-8427 6832

Email & Skype: info@chipsmall.com Web: www.chipsmall.com

Address: A1208, Overseas Decoration Building, #122 Zhenhua RD., Futian, Shenzhen, China



MATERIALS AND FINISHES

BODY, JAM NUT, CRIMP TUBE: BRASS
PLATED NICKEL

CENTER CONTACT BERYLLIUM COPPER
PLATED GOLD (SEE TABLE)

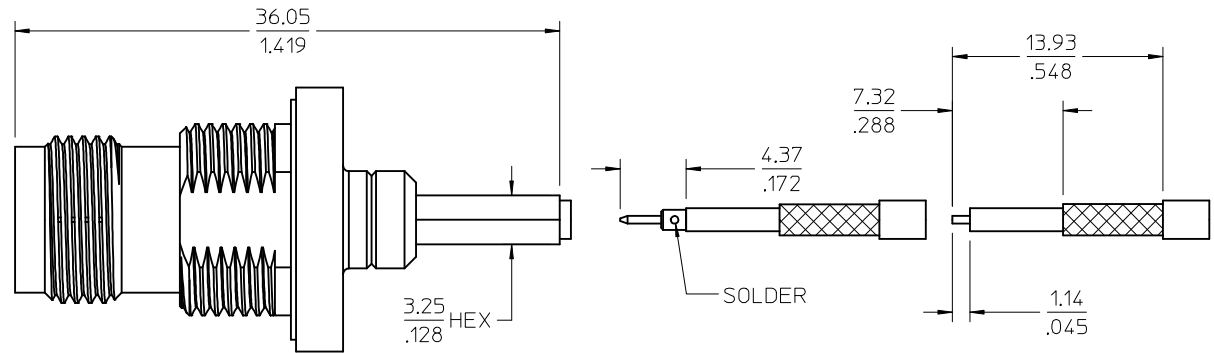
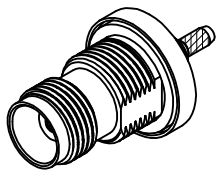
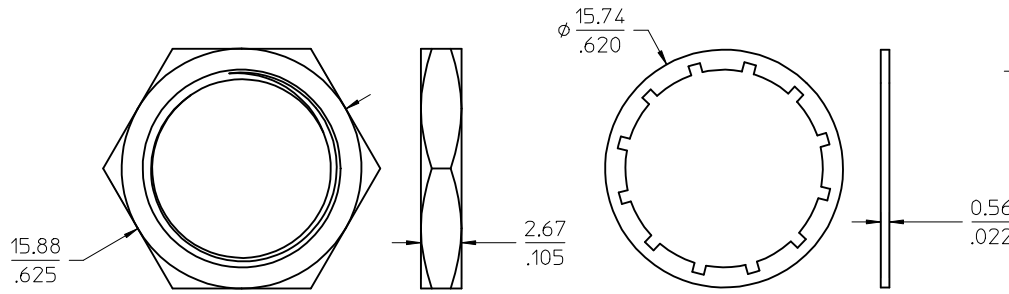
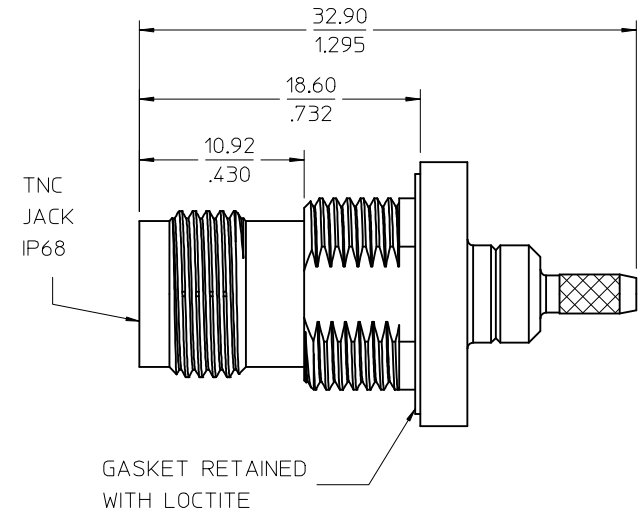
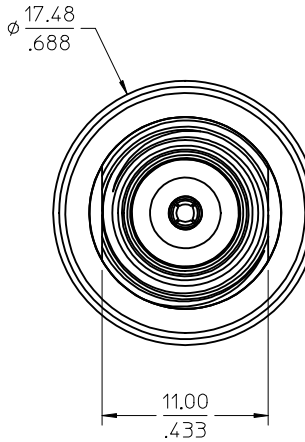
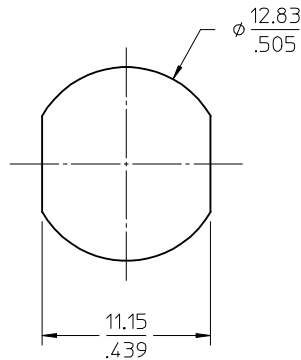
INSULATORS: TEFLON

CABLE CONTACT: BRASS
PLATED GOLD (SEE TABLE)

LOCK WASHER: PHOSPHOR BRONZE
PLATED NICKEL

GASKET: SILICONE RUBBER

PANEL CUT-OUT
4.30/.169 MAX
THICKNESS



MIL-STD-348A, FIG. 313.2	INTERFACE
SPECIFICATION	DESCRIPTION

73216-2122	BULK	10u"
73216-2121	ONE PER BAG	30u"
73216-2120	BULK	30u"
PART NO.	PACKAGING	CONTACT
		PLATING

CHG: ADD -2122
EC NO: URF2014-0109
DRWN:JWIENER 2013/08/13
CHKD:SSS 2013/08/13
APPR:JWIENER 2013/08/14

QUALITY SYMBOLS
▽=0
▽=0

GENERAL TOLERANCES (UNLESS SPECIFIED)
mm INCH
4 PLACES ± --- ± ---
3 PLACES ± --- ± ---
2 PLACES ± --- ± ---
1 PLACE ± --- ± ---
ANGULAR ± 2 °

DRAFT WHERE APPLICABLE
MUST REMAIN
WITHIN DIMENSIONS

DIMENSION STYLE
MM/IN

DRAWN BY DATE
JDW 2009/02/24

CHECKED BY DATE
SSS 2009/02/24

APPROVED BY DATE
JWIENER 2010/04/22

MATERIAL NO.
SEE TABLE

SIZE
C

SCALE
DESIGN UNITS
METRIC

THIRD ANGLE PROJECTION

TITLE
TNC JACK BULKHEAD
IP68 RG-316 50 OHM
TNC-JC, EWR-4001

MOLEX MOLEX INCORPORATED

DOCUMENT NO.
SD-73216-212

SHEET NO.
1 OF 1

THIS DRAWING CONTAINS INFORMATION THAT IS PROPRIETARY TO MOLEX INCORPORATED AND SHOULD NOT BE USED WITHOUT WRITTEN PERMISSION