



Chipsmall Limited consists of a professional team with an average of over 10 year of expertise in the distribution of electronic components. Based in Hongkong, we have already established firm and mutual-benefit business relationships with customers from,Europe,America and south Asia,supplying obsolete and hard-to-find components to meet their specific needs.

With the principle of “Quality Parts,Customers Priority,Honest Operation,and Considerate Service”,our business mainly focus on the distribution of electronic components. Line cards we deal with include Microchip,ALPS,ROHM,Xilinx,Pulse,ON,Everlight and Freescale. Main products comprise IC,Modules,Potentiometer,IC Socket,Relay,Connector.Our parts cover such applications as commercial,industrial, and automotives areas.

We are looking forward to setting up business relationship with you and hope to provide you with the best service and solution. Let us make a better world for our industry!



Contact us

Tel: +86-755-8981 8866 Fax: +86-755-8427 6832

Email & Skype: info@chipsmall.com Web: www.chipsmall.com

Address: A1208, Overseas Decoration Building, #122 Zhenhua RD., Futian, Shenzhen, China



MATERIALS AND FINISHES

BODY FRONT, CAP, JAM NUT: BRASS
PLATED NICKEL

BODY REAR: BRASS
PLATED TIN

CONTACT: BRASS
PLATED GOLD

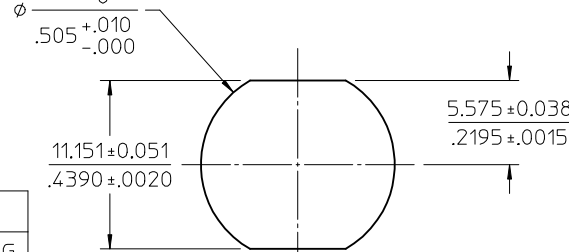
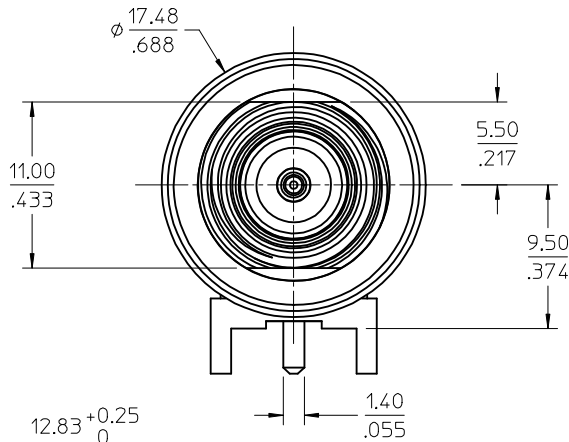
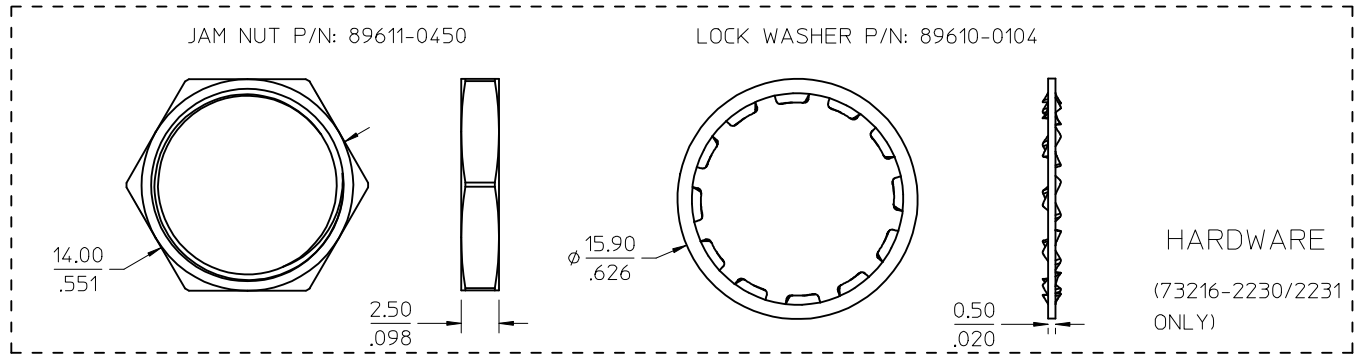
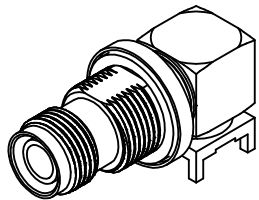
INSULATOR: TEFLON

GASKET: SILICONE RUBBER

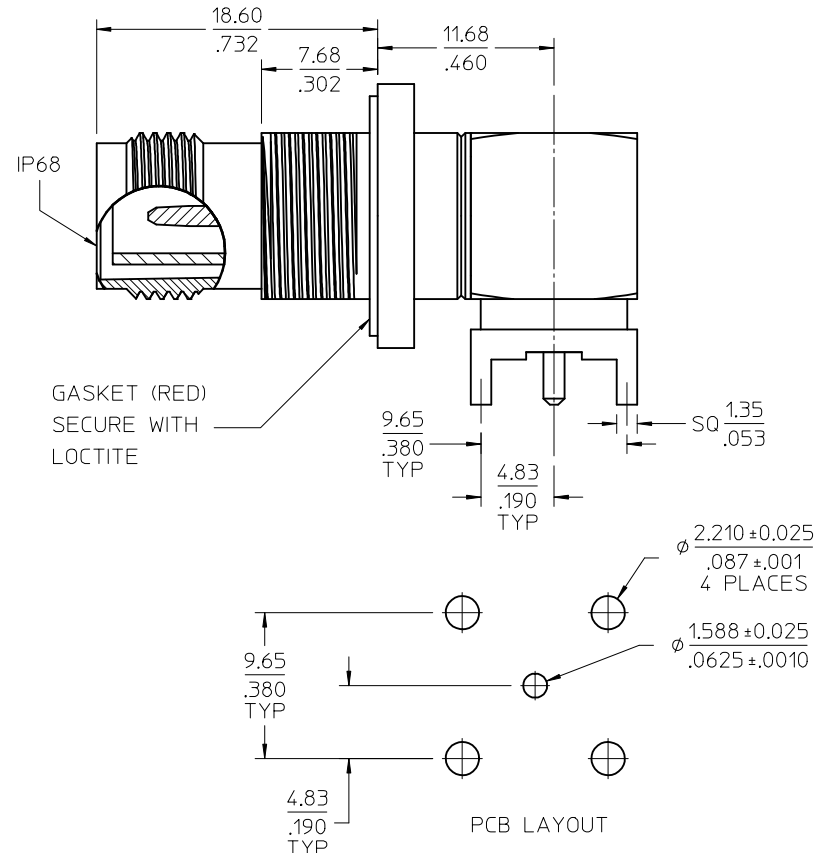
LOCK WASHER: PHOSPHOR BRONZE
PLATED NICKEL

ELECTRICAL PERFORMANCE:

1.30 VSWR MAX THROUGH 6 GHz
0.25 dB MAX INSERTION LOSS THRU 6 GHz



PANEL CUT-OUT
MAX THICKNESS
4.571.180



73216-2232	TRAY	N/A
73216-2231	ONE PER BAG	LOOSE IN BAG
73216-2230	TRAY	BULK
PART NO.	PACKAGING	HARDWARE
		PACKAGING

CHG: ADDED -2232, ADDED PN FOR NUT & WASHER PER RF16-E096	EC NO: URF2016-0867	DRW: WME102	2016/06/24
CHKD:	APPR: YCHENG	2016/07/04	
REV	B4		

QUALITY SYMBOLS	GENERAL TOLERANCES (UNLESS SPECIFIED)	DIMENSION STYLE	SCALE	DESIGN UNITS	THIRD ANGLE PROJECTION
▽=0	mm	MM/IN	METRIC		
▽=0	INCH				
	4 PLACES ± ---	DRAWN BY	DATE	TITLE	
	3 PLACES ± ---	AZR	2009/07/23	TNC JACK REV POL	
	2 PLACES ± ---	CHECKED BY	DATE	RA BLKHD IP68 PCB TH	
	1 PLACE ± ---	SSS	2009/07/23	TNC-J/PCB, EWR-4150	
	ANGULAR ± 2°	APPROVED BY	DATE	MOLEX INCORPORATED	
		JWIENER	2010/04/22		
	DRAFT WHERE APPLICABLE MUST REMAIN WITHIN DIMENSIONS	MATERIAL NO.	DOCUMENT NO.	SHEET NO.	
		SEE TABLE	SD-73216-223	1 OF 1	
		SIZE	THIS DRAWING CONTAINS INFORMATION THAT IS PROPRIETARY TO MOLEX INCORPORATED AND SHOULD NOT BE USED WITHOUT WRITTEN PERMISSION		