



Chipsmall Limited consists of a professional team with an average of over 10 year of expertise in the distribution of electronic components. Based in Hongkong, we have already established firm and mutual-benefit business relationships with customers from,Europe,America and south Asia,supplying obsolete and hard-to-find components to meet their specific needs.

With the principle of "Quality Parts,Customers Priority,Honest Operation,and Considerate Service",our business mainly focus on the distribution of electronic components. Line cards we deal with include Microchip,ALPS,ROHM,Xilinx,Pulse,ON,Everlight and Freescale. Main products comprise IC,Modules,Potentiometer,IC Socket,Relay,Connector.Our parts cover such applications as commercial,industrial, and automotives areas.

We are looking forward to setting up business relationship with you and hope to provide you with the best service and solution. Let us make a better world for our industry!



Contact us

Tel: +86-755-8981 8866 Fax: +86-755-8427 6832

Email & Skype: info@chipsmall.com Web: www.chipsmall.com

Address: A1208, Overseas Decoration Building, #122 Zhenhua RD., Futian, Shenzhen, China



MATERIALS AND FINISHES:

BODY FRONT, CAP, JAM NUT: BRASS
 PLATED: NICKEL (100μ-in MIN)

BODY REAR: BRASS
 PLATED: TIN (150μ-in MIN)

CONTACT: BRASS
 PLATED: GOLD (10μ-in MIN)

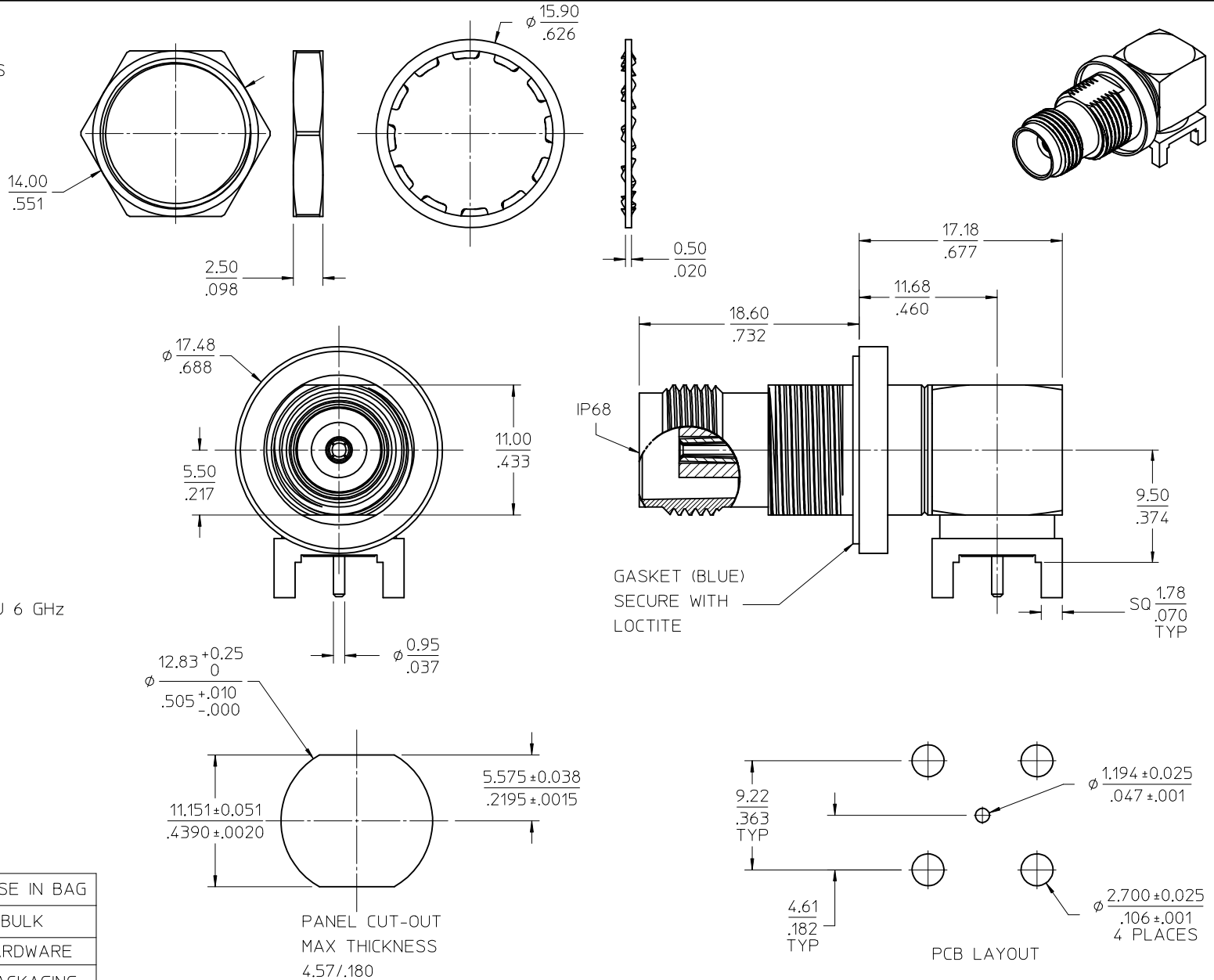
INSULATOR: TEFLON

GASKET: SILICONE RUBBER

LOCK WASHER: PHOSPHOR BRONZE
 PLATED: NICKEL (10μ-in MIN)

ELECTRICAL PERFORMANCE:

1.30 VSWR MAX THROUGH 6 GHz
 0.25 dB MAX INSERTION LOSS THRU 6 GHz



73216-2241	ONE PER BAG	LOOSE IN BAG
73216-2240	BULK	BULK
PART NO.	PACKAGING	HARDWARE
		PACKAGING

CHG: ADDED 9.50 MM DIM IN F1 ZONE. ADD PLATING THICKNESSES EC NO: URF2016-0083 DRW: BHBHARADWAJ.D 2015/08/20 CHK: D.L.M 2015/08/20 APPR: A.ROBERTSON 2015/08/28	QUALITY SYMBOLS ▽=0 ▽=0	GENERAL TOLERANCES (UNLESS SPECIFIED) 4 PLACES ± --- ± --- 3 PLACES ± --- ± --- 2 PLACES ± --- ± --- 1 PLACE ± --- ± --- ANGULAR ± 2°	DIMENSION STYLE MM/IN DRAWN BY DATE AZR 2009/07/23 CHECKED BY DATE SSS 2009/07/23 APPROVED BY DATE JWIENER 2010/04/22	SCALE DESIGN UNITS METRIC THIRD ANGLE PROJECTION	TITLE TNC JACK RA BULKHEAD IP68 PCB TH TNC-J/PCB, EWR-4151	MATERIAL NO. SEE TABLE	DOCUMENT NO. SD-73216-224	SHEET NO. 1 OF 1	
		DRAFT WHERE APPLICABLE MUST REMAIN WITHIN DIMENSIONS		MOLEX INCORPORATED		MOLEX INCORPORATED		THIS DRAWING CONTAINS INFORMATION THAT IS PROPRIETARY TO MOLEX INCORPORATED AND SHOULD NOT BE USED WITHOUT WRITTEN PERMISSION	