



Chipsmall Limited consists of a professional team with an average of over 10 year of expertise in the distribution of electronic components. Based in Hongkong, we have already established firm and mutual-benefit business relationships with customers from,Europe,America and south Asia,supplying obsolete and hard-to-find components to meet their specific needs.

With the principle of “Quality Parts,Customers Priority,Honest Operation,and Considerate Service”,our business mainly focus on the distribution of electronic components. Line cards we deal with include Microchip,ALPS,ROHM,Xilinx,Pulse,ON,Everlight and Freescale. Main products comprise IC,Modules,Potentiometer,IC Socket,Relay,Connector.Our parts cover such applications as commercial,industrial, and automotives areas.

We are looking forward to setting up business relationship with you and hope to provide you with the best service and solution. Let us make a better world for our industry!



Contact us

Tel: +86-755-8981 8866 Fax: +86-755-8427 6832

Email & Skype: info@chipsmall.com Web: www.chipsmall.com

Address: A1208, Overseas Decoration Building, #122 Zhenhua RD., Futian, Shenzhen, China



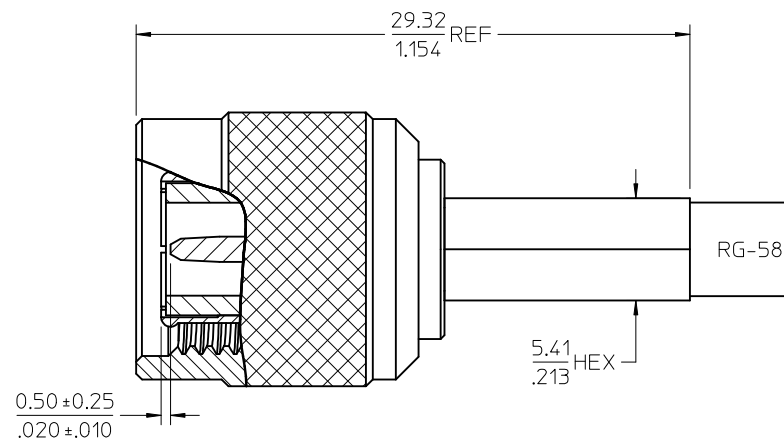
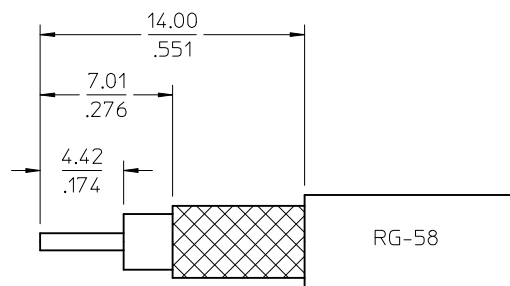
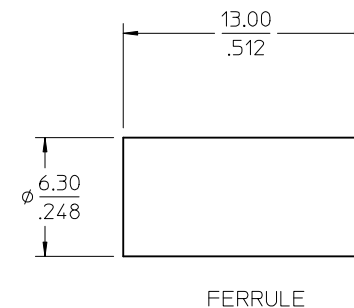
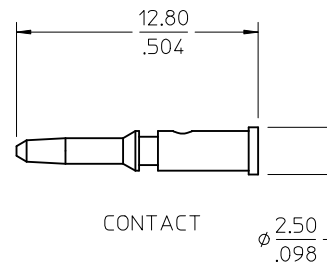
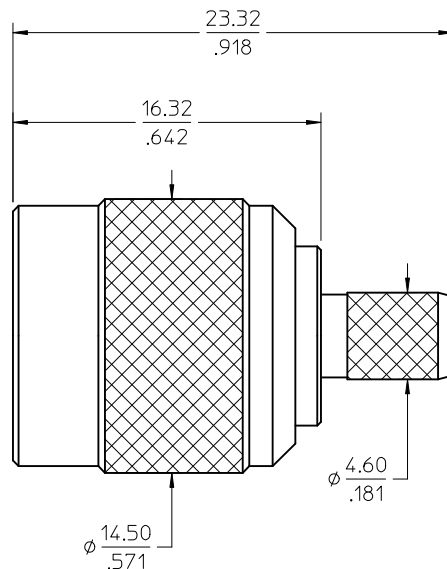
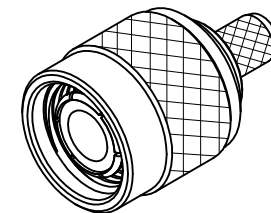
MATERIALS AND FINISHES :

COUPLING NUT, RETAINING RING,
SLEEVE, BODY, FERRULE: BRASS
PLATED NICKEL

INSULATOR POLYPROPYLENE

GASKET SILICONE RUBBER

CENTER CONTACT BRASS
PLATED GOLD



RECOMMENDED CABLE STRIP

73216-2870	ONE PER BAG
73219-0023	BULK
PART NO.	PACKAGING

ORIGINALLY DRAWN BY: KELLY 1992/06/20

CHG: REDRAW IN SD EC NO: 2012/02/01 DRWN: JWIENER CHKD: SSS APPR: 2012/02/01	QUALITY SYMBOLS ▽=0 ▽=0	GENERAL TOLERANCES (UNLESS SPECIFIED)	DIMENSION STYLE MM/IN	SCALE METRIC	DESIGN UNITS METRIC	THIRD ANGLE PROJECTION
		4 PLACES ± --- ± --- 3 PLACES ± --- ± --- 2 PLACES ± --- ± --- 1 PLACE ± --- ± ---	DRAWN BY: JWIENER DATE: 2012/02/01 CHECKED BY: SSS DATE: 2012/02/01 APPROVED BY:	TITLE TNC PLUG, RG-58 50 OHM TNC-P/RG58	MATERIAL NO. SEE TABLE	DOCUMENT NO. SD-73219-0023
DRAFT WHERE APPLICABLE MUST REMAIN WITHIN DIMENSIONS		THIS DRAWING CONTAINS INFORMATION THAT IS PROPRIETARY TO MOLEX INCORPORATED AND SHOULD NOT BE USED WITHOUT WRITTEN PERMISSION				