



Chipsmall Limited consists of a professional team with an average of over 10 year of expertise in the distribution of electronic components. Based in Hongkong, we have already established firm and mutual-benefit business relationships with customers from,Europe,America and south Asia,supplying obsolete and hard-to-find components to meet their specific needs.

With the principle of "Quality Parts,Customers Priority,Honest Operation,and Considerate Service",our business mainly focus on the distribution of electronic components. Line cards we deal with include Microchip,ALPS,ROHM,Xilinx,Pulse,ON,Everlight and Freescale. Main products comprise IC,Modules,Potentiometer,IC Socket,Relay,Connector.Our parts cover such applications as commercial,industrial, and automotives areas.

We are looking forward to setting up business relationship with you and hope to provide you with the best service and solution. Let us make a better world for our industry!



Contact us

Tel: +86-755-8981 8866 Fax: +86-755-8427 6832

Email & Skype: info@chipsmall.com Web: www.chipsmall.com

Address: A1208, Overseas Decoration Building, #122 Zhenhua RD., Futian, Shenzhen, China



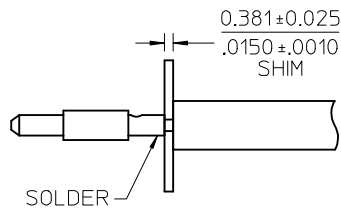
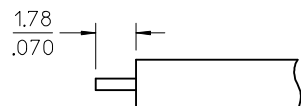
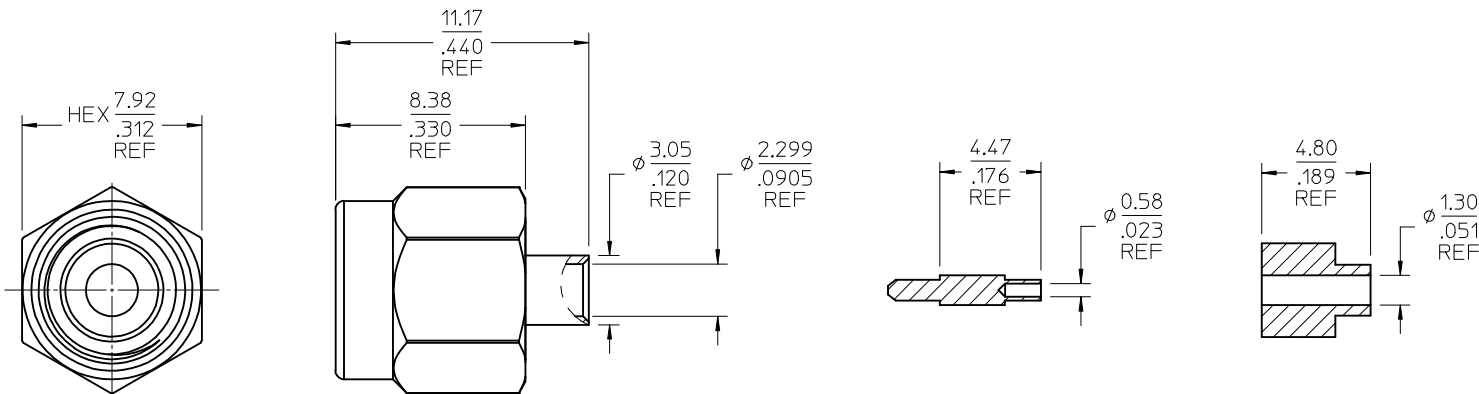
MATERIALS AND FINISHES

COUPLING NUT: SEE TABLE
PLATED SEE TABLE

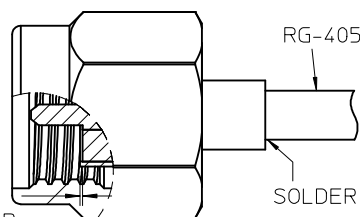
BODY:
-0051 THRU -0058 STAINLESS STEEL
-6530 STAINLESS STEEL
-0059 BRASS
PLATED SEE TABLE

CENTER CONTACT: BRASS
PLATED GOLD

INSULATOR: PTFE



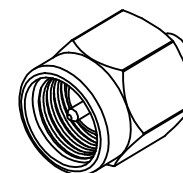
0.13±0.13
.005±.005
CONTACT & INSULATOR



SLIP CONTACT/CABLE INTO SMA ASSEMBLY TO DIMENSION SHOWN.
SOLDER CABLE TO SMA ASSEMBLY.

PRESS INSULATOR INTO BODY TO DIMENSION SHOWN.

73251-6531	BULK (100 COUNT)	BODY 5 μ " GOLD	BRASS, GOLD
73251-6530	BULK (100 COUNT)	BODY 1-3 μ " GOLD	STAINLESS STEEL, PASSIVATED
73251-0059	BULK (100 COUNT)	BODY 1-3 μ " GOLD	BRASS, GOLD
73251-0058	73251-0053 BULK PACK (100 PC)	BODY 30 μ " GOLD	STAINLESS STEEL, PASSIVATED
73251-0057	73251-0051 BULK PACK (100 PC)	BODY 10 μ " GOLD	STAINLESS STEEL, PASSIVATED
73251-0056	BULK (100 COUNT)	BODY 8 μ " GOLD	STAINLESS STEEL, GOLD
73251-0055	BULK (100 COUNT)	BODY 10 μ " GOLD	BRASS, GOLD
73251-0054	INDIVIDUAL BAGS	BODY 10 μ " GOLD	BRASS, GOLD
73251-0053	INDIVIDUAL BAGS	BODY 30 μ " GOLD	STAINLESS STEEL, PASSIVATED
73251-0052	73251-0051 BY TRAY (20 CAV.)	BODY 10 μ " GOLD	STAINLESS STEEL, PASSIVATED
73251-0051	INDIVIDUAL BAGS	BODY 10 μ " GOLD	STAINLESS STEEL, PASSIVATED
PART NO.	PACKAGING	FINISH	COUPLING NUT, MATERIAL/FINISH



PS-89675-346	ELECTRO/MECH PERF	CHG:ADD -6531 PER PDR16012156 EC NO: URF2017-0030 DRW:RYEH 2016/07/14 CHKD: APPR:YCHENG 2016/07/21	QUALITY SYMBOLS ▽=0 ▽=0 ▽=0	GENERAL TOLERANCES (UNLESS SPECIFIED) mm INCH 4 PLACES ± --- ± --- 3 PLACES ± --- ± .010 2 PLACES ± 0.25 ± --- 1 PLACE ± --- ± --- 0 PLACE ± ±	DIMENSION STYLE MM/IN	SCALE 6:1	DESIGN UNITS INCH	THIRD ANGLE PROJECTION	DRAWN BY DATE NBJ 1997/12/01	CHECKED BY DATE DHG 1997/12/01	APPROVED BY DATE GMH 1997/12/01	MATERIAL NO. SEE TABLE	DOCUMENT NO. SD-73251-005	SHEET NO. 1 OF 1
MIL-STD-348A, FIG. 310-1	INTERFACE													
SPECIFICATION	DESCRIPTION													