



Chipsmall Limited consists of a professional team with an average of over 10 year of expertise in the distribution of electronic components. Based in Hongkong, we have already established firm and mutual-benefit business relationships with customers from,Europe,America and south Asia,supplying obsolete and hard-to-find components to meet their specific needs.

With the principle of "Quality Parts,Customers Priority,Honest Operation,and Considerate Service",our business mainly focus on the distribution of electronic components. Line cards we deal with include Microchip,ALPS,ROHM,Xilinx,Pulse,ON,Everlight and Freescale. Main products comprise IC,Modules,Potentiometer,IC Socket,Relay,Connector.Our parts cover such applications as commercial,industrial, and automotives areas.

We are looking forward to setting up business relationship with you and hope to provide you with the best service and solution. Let us make a better world for our industry!



Contact us

Tel: +86-755-8981 8866 Fax: +86-755-8427 6832

Email & Skype: info@chipsmall.com Web: www.chipsmall.com

Address: A1208, Overseas Decoration Building, #122 Zhenhua RD., Futian, Shenzhen, China



MATERIALS AND FINISHES

BODY: STAINLESS STEEL
PLATED GOLD

COUPLING NUT: STAINLESS STEEL
PASSIVATED (-0071 & -0072)
GOLD (-0073)

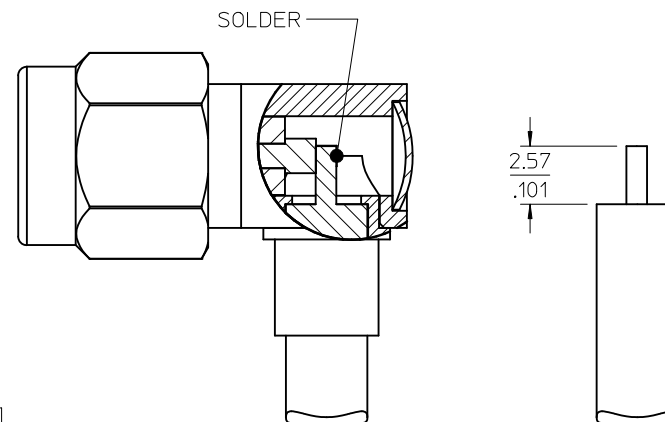
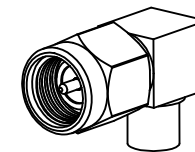
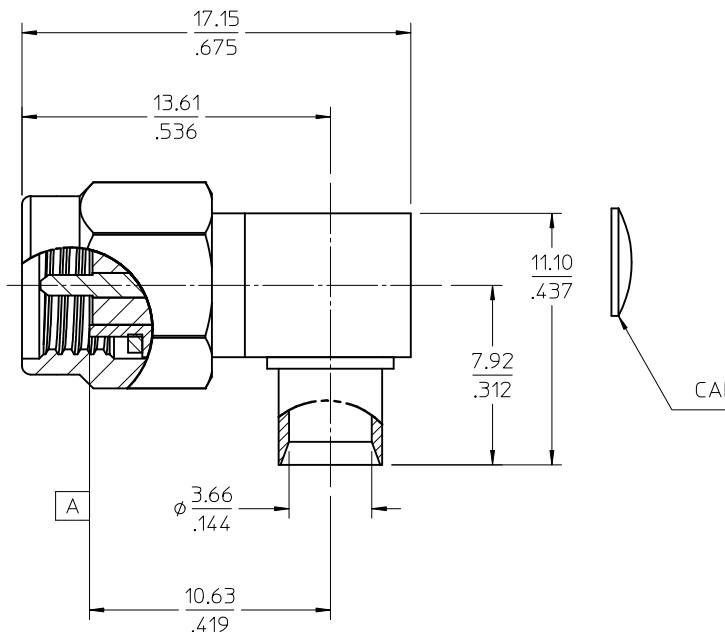
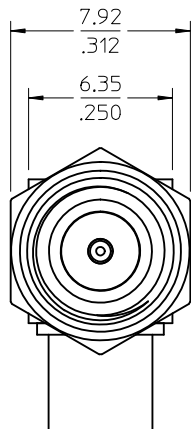
CONTACT: BRASS
PLATED GOLD

INSULATOR: TEFLON

GASKET: SILICONE RUBBER

CRING: BERYLLIUM COPPER

CAP: BRASS
PLATED GOLD



PS-89675-3460	PRODUCT SPECIFICATION
MIL-STD-348A, FIG. 310-1	INTERFACE
SPECIFICATION	DESCRIPTION

73251-0073	STANDARD	8 u"	Ni-Ph 80 u" MIN
73251-0072	73251-0071 BY TRAY (20 CAVITY)	30 u"	NICKEL 100 u" MIN
73251-0071	STANDARD	30 u"	NICKEL 100 u" MIN
PART NO.	PACKAGING	GOLD LAYER	UNDER LAYER

CHG: UPDATE VIEW

EC NO: URF2013-0460
 DRWN: JWIENER 2013/02/08
 CHKD: SSS 2013/02/08
 APPR: JWIENER 2013/02/11

QUALITY SYMBOLS
 ▽=0
 ▽=0

GENERAL TOLERANCES (UNLESS SPECIFIED)

	mm	INCH
4 PLACES	± .005	± .0005
3 PLACES	± .003	± .0003
2 PLACES	± .002	± .0002
1 PLACE	± .001	± .0001

ANGULAR ± 2 °

DRAFT WHERE APPLICABLE
MUST REMAIN WITHIN DIMENSIONS

DIMENSION STYLE
MM/IN

DRAWN BY	DATE
TEF	1999/04/19
CHECKED BY	DATE
DHG	1999/04/19
APPROVED BY	DATE
GMH	1999/04/19

MATERIAL NO. SEE TABLE

SCALE INCH

DESIGN UNITS INCH

THIRD ANGLE PROJECTION

TITLE
SMA PLUG RA FOR
141 TYPE CABLES
SMA-PC/RA

Molex MOLEX INCORPORATED

DOCUMENT NO. SD-73251-007

SHEET NO. 1 OF 1

THIS DRAWING CONTAINS INFORMATION THAT IS PROPRIETARY TO MOLEX INCORPORATED AND SHOULD NOT BE USED WITHOUT WRITTEN PERMISSION