



Chipsmall Limited consists of a professional team with an average of over 10 year of expertise in the distribution of electronic components. Based in Hongkong, we have already established firm and mutual-benefit business relationships with customers from,Europe,America and south Asia,supplying obsolete and hard-to-find components to meet their specific needs.

With the principle of “Quality Parts,Customers Priority,Honest Operation,and Considerate Service”,our business mainly focus on the distribution of electronic components. Line cards we deal with include Microchip,ALPS,ROHM,Xilinx,Pulse,ON,Everlight and Freescale. Main products comprise IC,Modules,Potentiometer,IC Socket,Relay,Connector.Our parts cover such applications as commercial,industrial, and automotives areas.

We are looking forward to setting up business relationship with you and hope to provide you with the best service and solution. Let us make a better world for our industry!



Contact us

Tel: +86-755-8981 8866 Fax: +86-755-8427 6832

Email & Skype: info@chipsmall.com Web: www.chipsmall.com

Address: A1208, Overseas Decoration Building, #122 Zhenhua RD., Futian, Shenzhen, China



MATERIALS AND FINISHES

BODY, COUPLING NUT, CAP STAINLESS STEEL
PASSIVATED

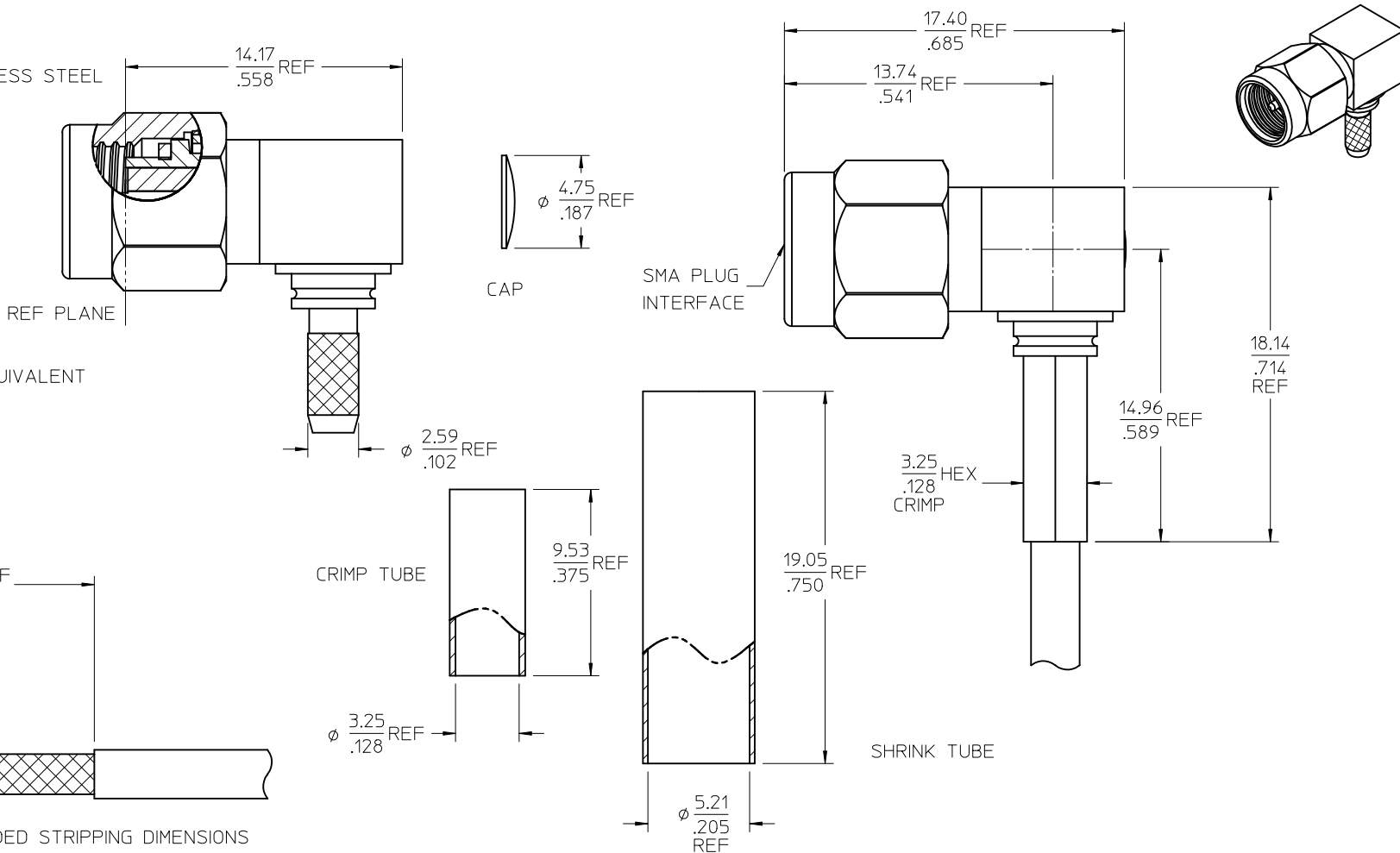
CENTER CONTACT BRASS
PLATED GOLD

CRIMP TUBE BRASS
PLATED NICKEL

INSULATOR TEFLON

SHRINK TUBE VERSAFIT OR EQUIVALENT

GASKET SILICONE RUBBER



73251-0213	73251-0211, 20 CAVITY TRAY
73251-0212	ONE PIECE 73251-0211 PER BAG
73251-0211	80 CAVITY TRAY
PART NO.	PACKAGING

PS-89675-3460	ELEC/MECH PERFORMANCE
MIL-STD-348A, FIG. 310.1	INTERFACE
SPECIFICATION	DESCRIPTION

CHG: UPDATE STRIP	EC NO: URF2012-0490 DRWN: WIENER 2012/02/15 CHKD: SSS 2012/02/15 APPR: WIENER 2012/02/15
DELETE	
PS WAS	
PS-89675-2900 CONTACT MATERIAL WAS BECU	

QUALITY SYMBOLS	$\nabla=0$ $\nabla=0$															
GENERAL TOLERANCES (UNLESS SPECIFIED)	<table border="1"> <tr> <th></th> <th>mm</th> <th>INCH</th> </tr> <tr> <td>4 PLACES</td> <td>± .005</td> <td>± .0005</td> </tr> <tr> <td>3 PLACES</td> <td>± .005</td> <td>± .0005</td> </tr> <tr> <td>2 PLACES</td> <td>± .005</td> <td>± .0005</td> </tr> <tr> <td>1 PLACE</td> <td>± .005</td> <td>± .0005</td> </tr> </table>		mm	INCH	4 PLACES	± .005	± .0005	3 PLACES	± .005	± .0005	2 PLACES	± .005	± .0005	1 PLACE	± .005	± .0005
	mm	INCH														
4 PLACES	± .005	± .0005														
3 PLACES	± .005	± .0005														
2 PLACES	± .005	± .0005														
1 PLACE	± .005	± .0005														
ANGULAR	± 2°															

DRAWN BY	MDE	DATE	1999/12/15
CHECKED BY	GMH	DATE	1999/12/15
APPROVED BY	GMH	DATE	1999/12/17

DIMENSION STYLE	MM/IN
SCALE	AS SHOWN
DESIGN UNITS	METRIC
THIRD ANGLE PROJECTION	

TITLE	SMA PLUG, RA, 50 OHMS RG-316 CABLE GROUP SMA-PC/RA
MATERIAL NO.	SEE TABLE
DOCUMENT NO.	SD-73251-021
SHEET NO.	1 OF 1