



Chipsmall Limited consists of a professional team with an average of over 10 year of expertise in the distribution of electronic components. Based in Hongkong, we have already established firm and mutual-benefit business relationships with customers from,Europe,America and south Asia,supplying obsolete and hard-to-find components to meet their specific needs.

With the principle of “Quality Parts,Customers Priority,Honest Operation,and Considerate Service”,our business mainly focus on the distribution of electronic components. Line cards we deal with include Microchip,ALPS,ROHM,Xilinx,Pulse,ON,Everlight and Freescale. Main products comprise IC,Modules,Potentiometer,IC Socket,Relay,Connector.Our parts cover such applications as commercial,industrial, and automotives areas.

We are looking forward to setting up business relationship with you and hope to provide you with the best service and solution. Let us make a better world for our industry!



Contact us

Tel: +86-755-8981 8866 Fax: +86-755-8427 6832

Email & Skype: info@chipsmall.com Web: www.chipsmall.com

Address: A1208, Overseas Decoration Building, #122 Zhenhua RD., Futian, Shenzhen, China

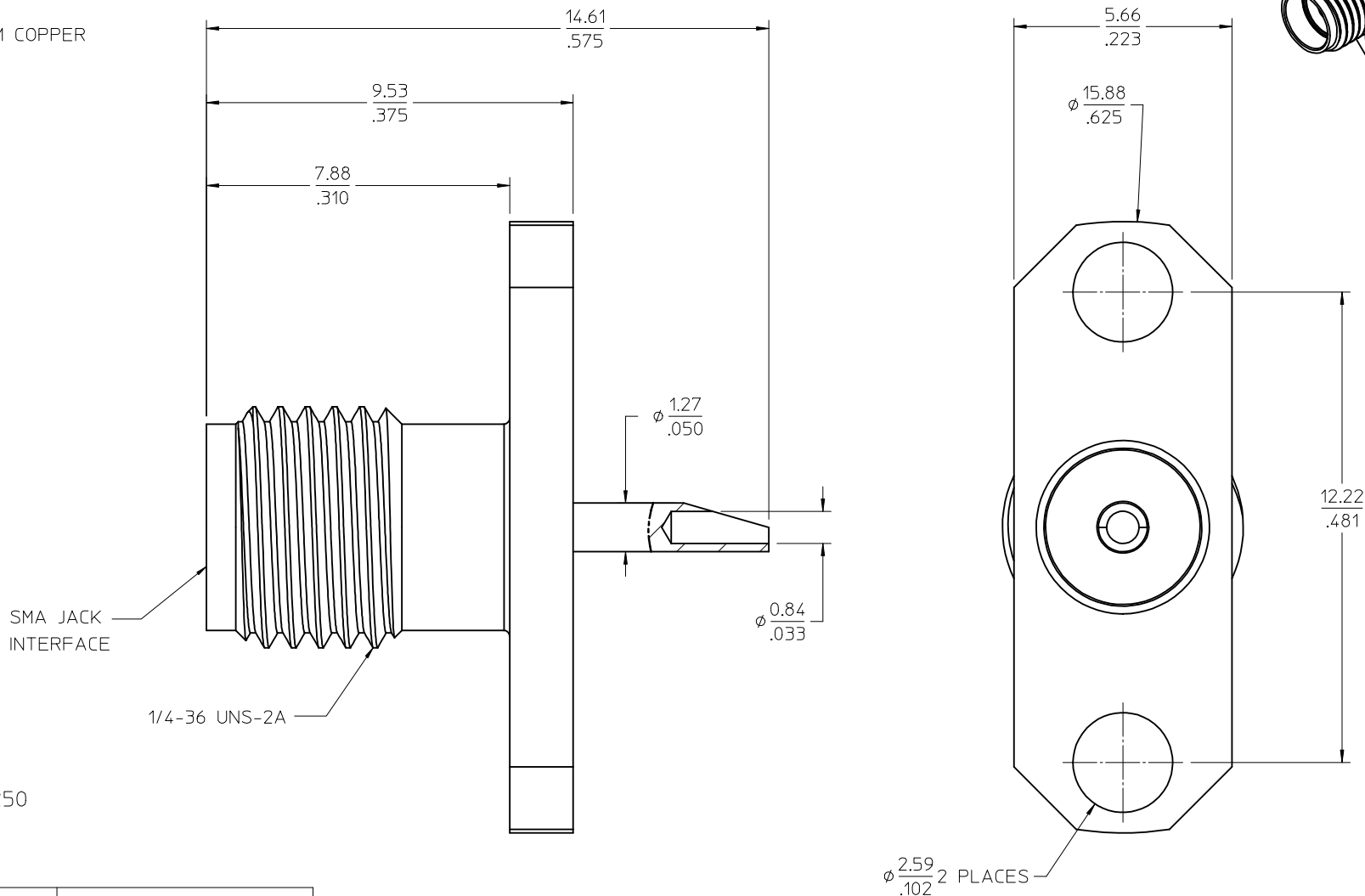
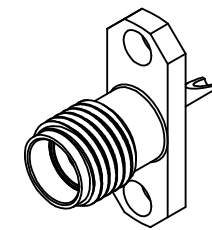


MATERIALS AND FINISHES

BODY STAINLESS STEEL
PASSIVATED

CONTACT BERYLLIUM COPPER
PLATED GOLD

INSULATOR TEFLON



PART # 73251-0250

MIL-STD-348A, FIG. 310-2	INTERFACE
SPECIFICATION	DESCRIPTION

CHG: REDREW IN SD EC NO: URF2010-0056 DRAWN: JWIENER 2009/07/24 CHKD: ROBERTSON 2009/07/24 APPR: JWIENER 2009/07/24	QUALITY SYMBOLS ▽=0 ▽=0	GENERAL TOLERANCES (UNLESS SPECIFIED)		DIMENSION STYLE MM/IN		SCALE 12:1	DESIGN UNITS METRIC	THIRD ANGLE PROJECTION		
		4 PLACES ± --- ± --- 3 PLACES ± --- ± --- 2 PLACES ± --- ± --- 1 PLACE ± --- ± ---		DRAWN BY DATE EDC 1997/12/10		TITLE SMA JACK 2 HOLE FLANGE SOLDER POT RECEPTACLE SMA-JR/FL		MOLEX INCORPORATED		SHEET NO. 1 OF 1
		ANGULAR ± 2 °		CHECKED BY DATE DHG 1998/01/09		APPROVED BY DATE GMH 1998/01/09				
		DRAFT WHERE APPLICABLE MUST REMAIN WITHIN DIMENSIONS		SEE TABLE		MATERIAL NO. DOCUMENT NO. SD-73251-025		THIS DRAWING CONTAINS INFORMATION THAT IS PROPRIETARY TO MOLEX INCORPORATED AND SHOULD NOT BE USED WITHOUT WRITTEN PERMISSION		