



Chipsmall Limited consists of a professional team with an average of over 10 year of expertise in the distribution of electronic components. Based in Hongkong, we have already established firm and mutual-benefit business relationships with customers from,Europe,America and south Asia,supplying obsolete and hard-to-find components to meet their specific needs.

With the principle of “Quality Parts,Customers Priority,Honest Operation,and Considerate Service”,our business mainly focus on the distribution of electronic components. Line cards we deal with include Microchip,ALPS,ROHM,Xilinx,Pulse,ON,Everlight and Freescale. Main products comprise IC,Modules,Potentiometer,IC Socket,Relay,Connector.Our parts cover such applications as commercial,industrial, and automotives areas.

We are looking forward to setting up business relationship with you and hope to provide you with the best service and solution. Let us make a better world for our industry!



## Contact us

Tel: +86-755-8981 8866 Fax: +86-755-8427 6832

Email & Skype: info@chipsmall.com Web: www.chipsmall.com

Address: A1208, Overseas Decoration Building, #122 Zhenhua RD., Futian, Shenzhen, China

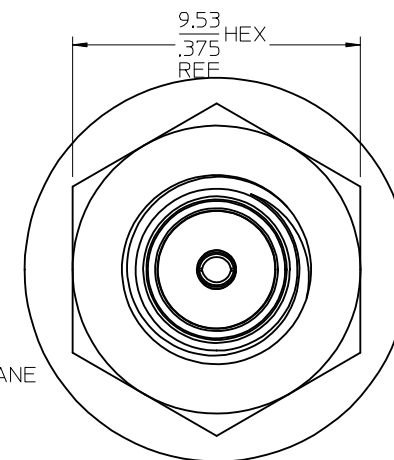
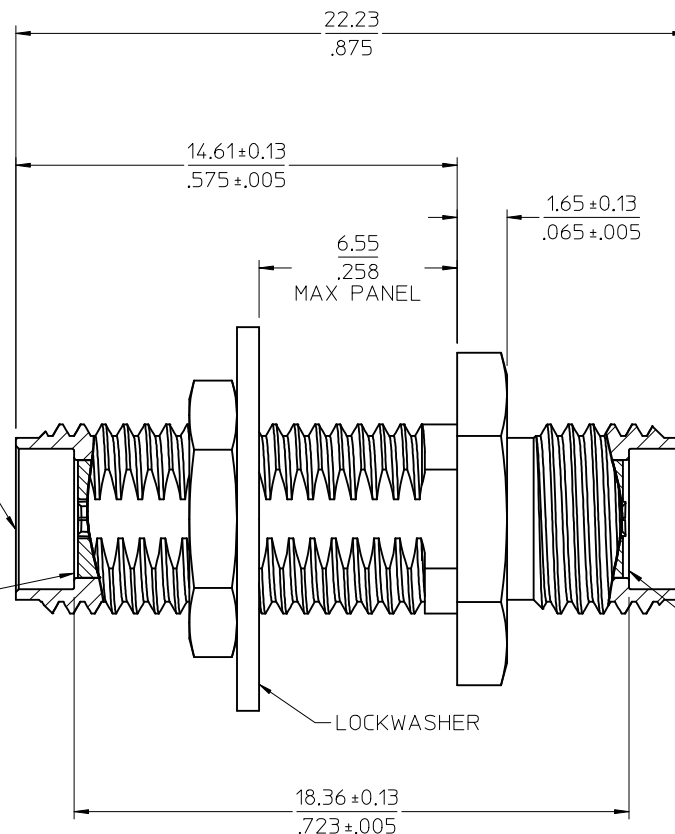
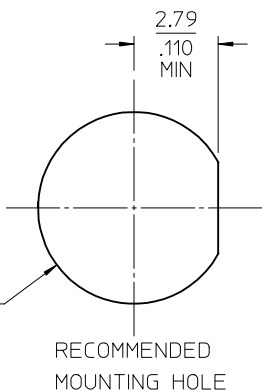
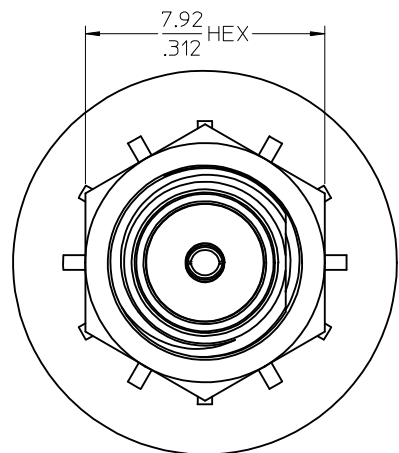
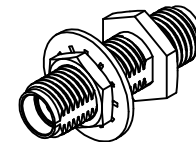


MATERIALS AND FINISHES

BODY, NUT AND WASHER STAINLESS STEEL  
PASSIVATED

CENTER CONTACT BERYLLIUM COPPER  
PLATED GOLD (50 MICROINCHES MIN)

INSULATOR TEFLON



73251-0361	ONE PIECE 73251-0360 PER BAG
73251-0360	STANDARD PACKAGING
PART NO.	PACKAGING

MIL-STD-348A, FIG. 310.2	INTERFACE
PS-89675-3460	ELECTROMECH PERFORM.
SPECIFICATION	DESCRIPTION

CHG: MAX PANEL WAS .250 ADD PRECISION TO TITLE PS WAS 89675-2810	EC NO: URF2013-0054 DRWN: WIENER 2012/07/26 CHKD: SSS 2012/07/26 APPR: WIENER 2012/07/30
---	---

QUALITY SYMBOLS	GENERAL TOLERANCES (UNLESS SPECIFIED)
▽=0	mm INCH
▽=0	4 PLACES ± --- ± ---
	3 PLACES ± --- ± ---
	2 PLACES ± --- ± ---
	1 PLACE ± --- ± ---
	ANGULAR ± 2 °
	DRAFT WHERE APPLICABLE MUST REMAIN WITHIN DIMENSIONS

DESCRIPTION	THIRD ANGLE PROJECTION
REV	DESCRIPTION
A4	

DRAWN BY	DATE
EDC	1997/12/05
CHECKED BY	DATE
DHG	1998/01/09
APPROVED BY	DATE
GMH	1998/01/09
MATERIAL NO.	DOCUMENT NO.
SEE TABLE	SD-73251-036

TITLE	PRECISION SMA JACK/JACK BLKHD, MT ADAPTER EWR-2595, SMA-AD/JJ/BK
MOLEX INCORPORATED	
SHEET NO.	1 OF 1
THIS DRAWING CONTAINS INFORMATION THAT IS PROPRIETARY TO MOLEX INCORPORATED AND SHOULD NOT BE USED WITHOUT WRITTEN PERMISSION	