



Chipsmall Limited consists of a professional team with an average of over 10 year of expertise in the distribution of electronic components. Based in Hongkong, we have already established firm and mutual-benefit business relationships with customers from,Europe,America and south Asia,supplying obsolete and hard-to-find components to meet their specific needs.

With the principle of “Quality Parts,Customers Priority,Honest Operation,and Considerate Service”,our business mainly focus on the distribution of electronic components. Line cards we deal with include Microchip,ALPS,ROHM,Xilinx,Pulse,ON,Everlight and Freescale. Main products comprise IC,Modules,Potentiometer,IC Socket,Relay,Connector.Our parts cover such applications as commercial,industrial, and automotives areas.

We are looking forward to setting up business relationship with you and hope to provide you with the best service and solution. Let us make a better world for our industry!



Contact us

Tel: +86-755-8981 8866 Fax: +86-755-8427 6832

Email & Skype: info@chipsmall.com Web: www.chipsmall.com

Address: A1208, Overseas Decoration Building, #122 Zhenhua RD., Futian, Shenzhen, China

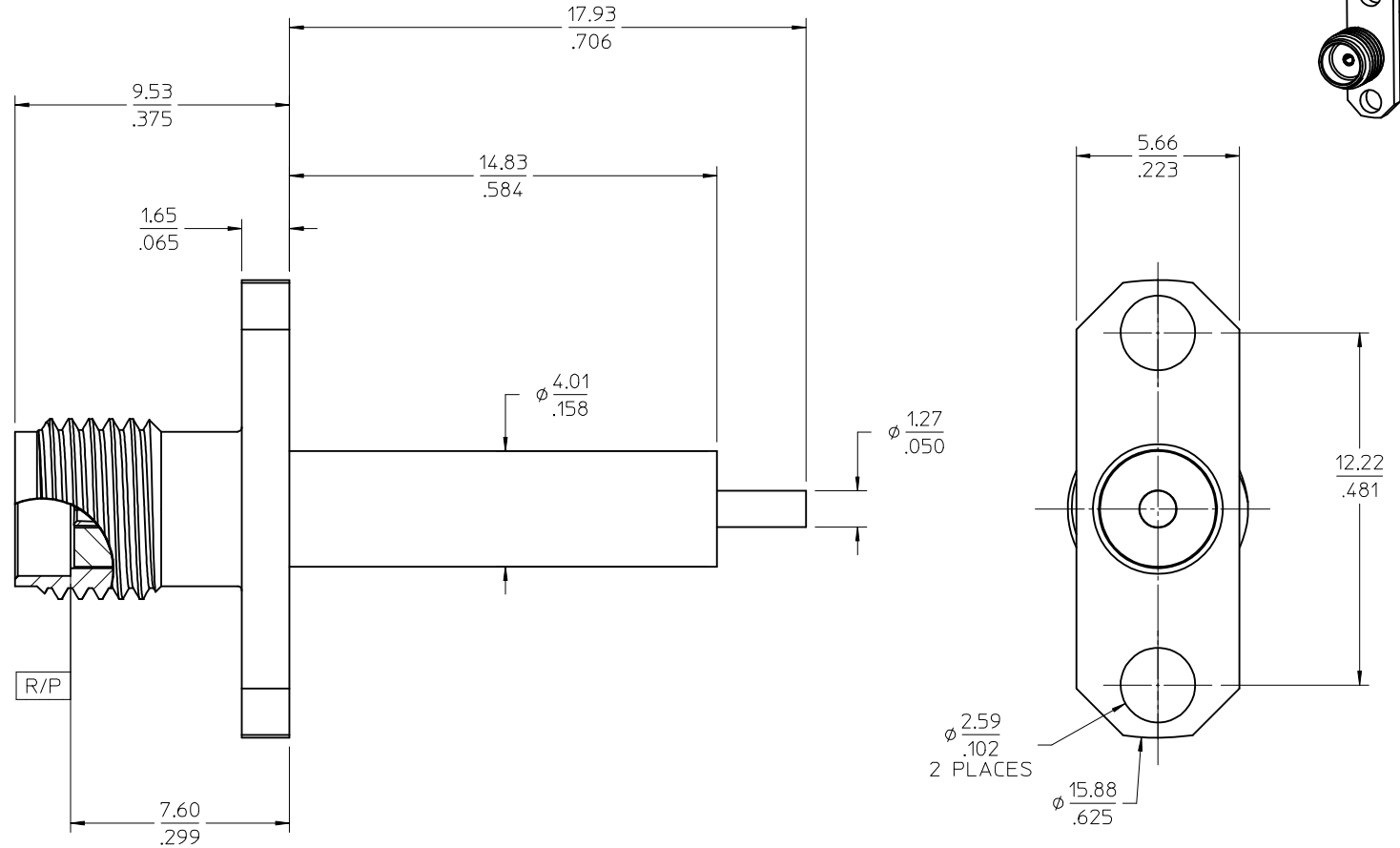


MATERIALS AND FINISHES

BODY: STAINLESS STEEL
PLATED SEE TABLE

CONTACT: BERYLLIUM COPPER
PLATED GOLD 30 MICRINCHES

INSULATOR: TEFLON



73251-0422	10 u-IN GOLD	STANDARD
73251-0421	PASSIVATED	73251-0420 BY TRAY (20 CAV.)
73251-0420	PASSIVATED	STANDARD
PART NO.	FINISH	PACKAGING

PS-89675-2820	ELEC/MECH PERFORMANCE
MIL-STD-348A, FIG. 310.2	INTERFACE
SPECIFICATION	DESCRIPTION

CHG: ADDED TABULATION FOR PLATING. ADDED 73251-0422.	EC NO: URF2010-0257	2009/11/02
	DRWN:ROBERTSON	2009/11/02
	CHKD:SSS	2009/11/02
	APPR:JWIENER	2009/11/02
REV	DESCRIPTION	
A3		

QUALITY SYMBOLS
▽=0
▽=0

GENERAL TOLERANCES (UNLESS SPECIFIED)	
	MM/IN
4 PLACES ±	± .005 / ± .0008
3 PLACES ±	± .005 / ± .0008
2 PLACES ±	± .005 / ± .0008
1 PLACE ±	± .005 / ± .0008
ANGULAR ± 2 °	
DRAFT WHERE APPLICABLE MUST REMAIN WITHIN DIMENSIONS	

DRAWN BY	DATE
TEF	2001/06/22
CHECKED BY	DATE
SSS	2001/06/22
APPROVED BY	DATE
GMH	2001/06/22
MATERIAL NO.	DOCUMENT NO.
SEE TABLE	SD-73251-042

SCALE	DESIGN UNITS	THIRD ANGLE PROJECTION
	METRIC	
TITLE		
SMA JACK CANDLESTICK RECEPTACLE 2 HOLE FLANGE SMA-JR		
MOLEX MOLEX INCORPORATED		
SHEET NO.		1 OF 1
THIS DRAWING CONTAINS INFORMATION THAT IS PROPRIETARY TO MOLEX INCORPORATED AND SHOULD NOT BE USED WITHOUT WRITTEN PERMISSION		