



Chipsmall Limited consists of a professional team with an average of over 10 year of expertise in the distribution of electronic components. Based in Hongkong, we have already established firm and mutual-benefit business relationships with customers from,Europe,America and south Asia,supplying obsolete and hard-to-find components to meet their specific needs.

With the principle of "Quality Parts,Customers Priority,Honest Operation,and Considerate Service",our business mainly focus on the distribution of electronic components. Line cards we deal with include Microchip,ALPS,ROHM,Xilinx,Pulse,ON,Everlight and Freescale. Main products comprise IC,Modules,Potentiometer,IC Socket,Relay,Connector.Our parts cover such applications as commercial,industrial, and automotives areas.

We are looking forward to setting up business relationship with you and hope to provide you with the best service and solution. Let us make a better world for our industry!



Contact us

Tel: +86-755-8981 8866 Fax: +86-755-8427 6832

Email & Skype: info@chipsmall.com Web: www.chipsmall.com

Address: A1208, Overseas Decoration Building, #122 Zhenhua RD., Futian, Shenzhen, China



MATERIALS AND FINISHES

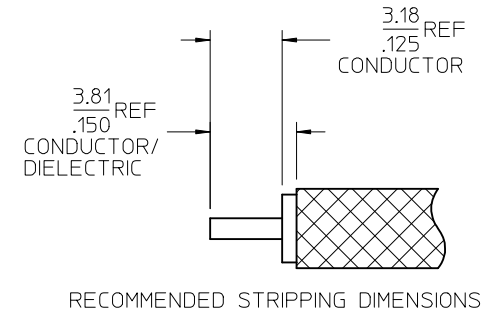
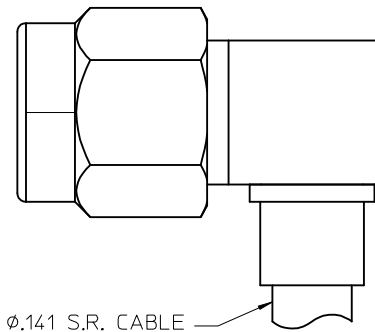
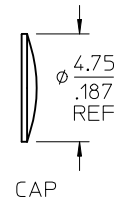
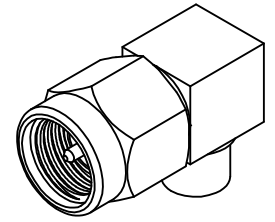
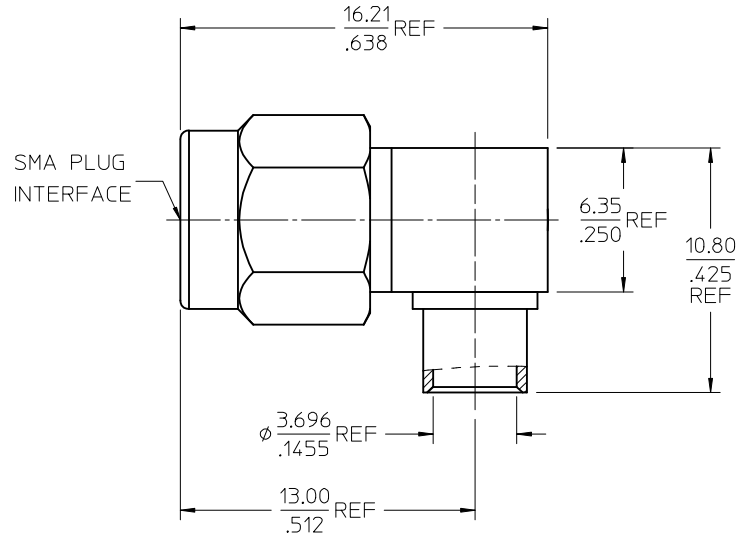
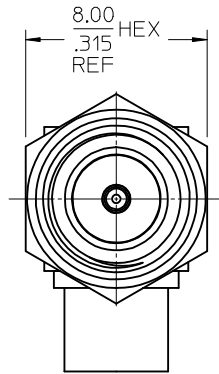
BODY, CAP, COUPLING NUT: BRASS
FINISH: SEE TABLE

CENTER CONTACT: BERYLLIUM COPPER
FINISH: GOLD

INSULATOR: TEFLON

RETAINING RING: BERYLLIUM COPPER

GASKET: SILICONE RUBBER



73251-0553	GOLD	NICKEL	NICKEL	TRAY
73251-0552	GOLD	GOLD	GOLD	-0551 ONE PER BAG
73251-0551	GOLD	GOLD	GOLD	TRAY
73251-0550	NICKEL	NICKEL	NICKEL	TRAY
PART NO.	BODY	CAP	COUPLING NUT	PACKAGING

CHG:ADDED -0553 PER PDR15072025 IEC NO: URF2016-0113 DRW:RYEH 2015/08/13 CHKD: APPR:YCHENG 2015/08/21	QUALITY SYMBOLS	GENERAL TOLERANCES (UNLESS SPECIFIED)	DIMENSION STYLE	SCALE	DESIGN UNITS	THIRD ANGLE PROJECTION
	▽=0	mm INCH	MM/IN	6:1	METRIC	
	▽=0	4 PLACES ± --- ± ---	DRAWN BY DATE	TITLE	SMA PLUG,R/A FOR .141 SR CABLE, 50 OHMS	
	▽=0	3 PLACES ± --- ± ---	CHECKED BY DATE	SMA-PC/RA, EWR-3594		
		2 PLACES ± --- ± ---	APPROVED BY DATE	molex		
		1 PLACE ± --- ± ---	GMH 2000/05/24	MATERIAL NO.	DOCUMENT NO.	SHEET NO.
		0 PLACE ± ±		SEE TABLE	SD-73251-055	1 OF 1
		ANGULAR ± 2 °		THIS DRAWING CONTAINS INFORMATION THAT IS PROPRIETARY TO MOLEX INCORPORATED AND SHOULD NOT BE USED WITHOUT WRITTEN PERMISSION		
		DRAFT WHERE APPLICABLE MUST REMAIN WITHIN DIMENSIONS				