



Chipsmall Limited consists of a professional team with an average of over 10 year of expertise in the distribution of electronic components. Based in Hongkong, we have already established firm and mutual-benefit business relationships with customers from,Europe,America and south Asia,supplying obsolete and hard-to-find components to meet their specific needs.

With the principle of “Quality Parts,Customers Priority,Honest Operation,and Considerate Service”,our business mainly focus on the distribution of electronic components. Line cards we deal with include Microchip,ALPS,ROHM,Xilinx,Pulse,ON,Everlight and Freescale. Main products comprise IC,Modules,Potentiometer,IC Socket,Relay,Connector.Our parts cover such applications as commercial,industrial, and automotives areas.

We are looking forward to setting up business relationship with you and hope to provide you with the best service and solution. Let us make a better world for our industry!



Contact us

Tel: +86-755-8981 8866 Fax: +86-755-8427 6832

Email & Skype: info@chipsmall.com Web: www.chipsmall.com

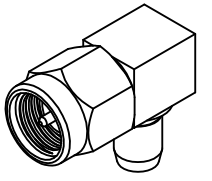
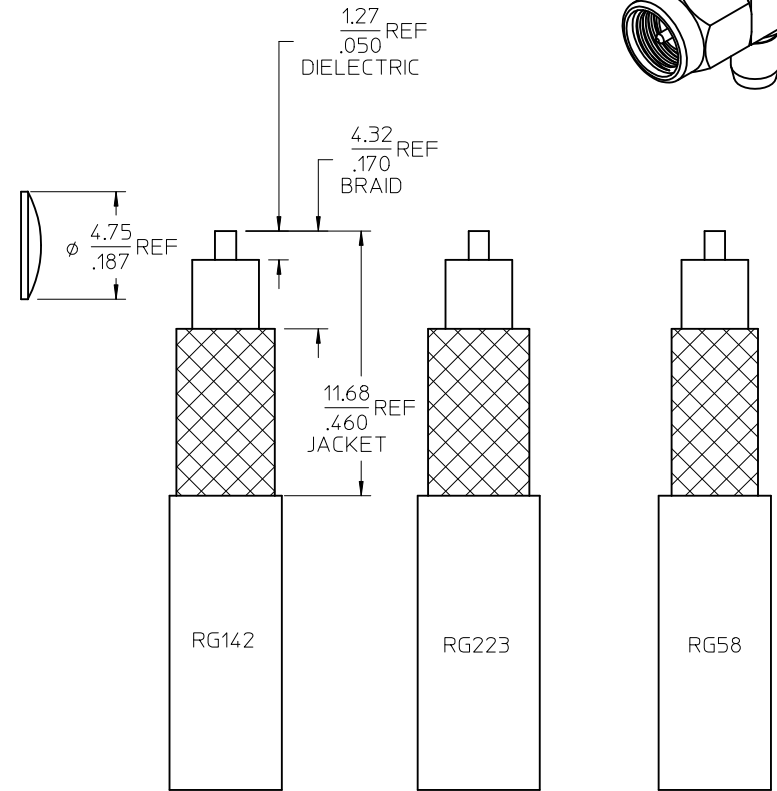
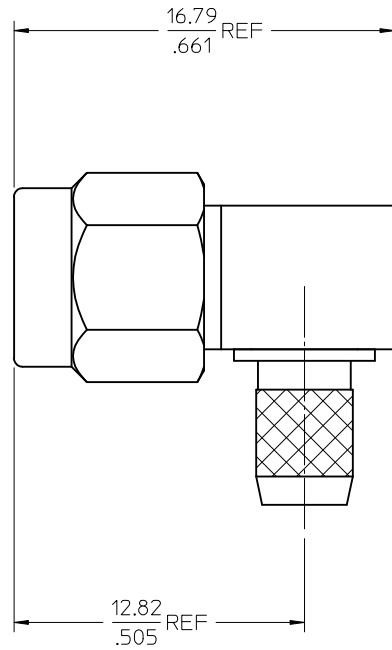
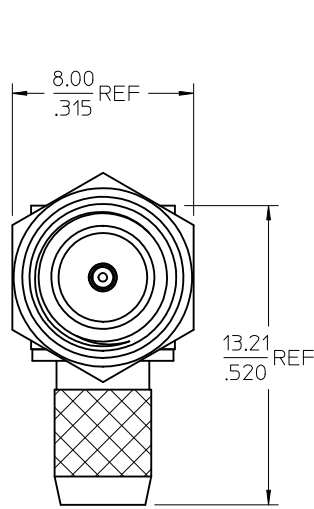
Address: A1208, Overseas Decoration Building, #122 Zhenhua RD., Futian, Shenzhen, China



MATERIALS AND FINISHES

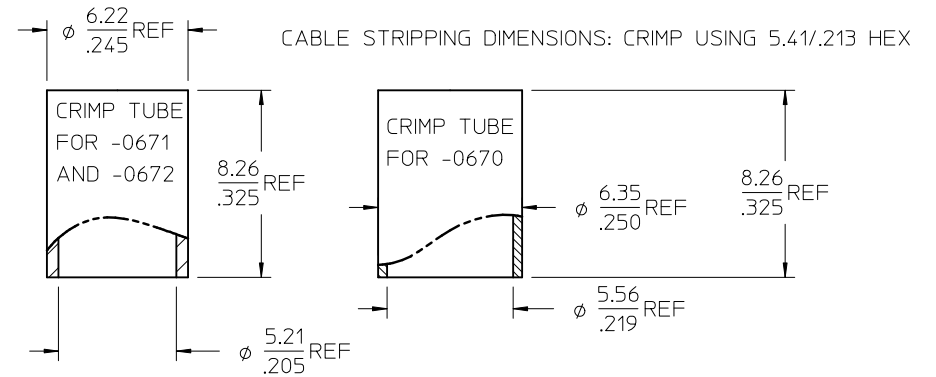
BODY, CAP, C'NUT, CONTACT,
CRIMP TUBE: BRASS
PLATED GOLD

INSULATOR: TEFLON



PS-89675-3460	ELECTRO/MECH PERFORM.
MIL-STD-348A, FIG. 310.1	INTERFACE
SPECIFICATION	DESCRIPTION

73251-0672	RG58 / SINGLE BAG
73251-0671	RG58 / BULK PACK
73251-0670	RG55, RG142, RG223 / BULK PACK
PART NO.	CABLE GROUP / PACKAGING



CHG: ADD -0672 PS WAS ES-89675-1190 ADD PACKAGING EC NO: URF2012-0421 DRWN: JWIENER 2012/01/25 CHKD: SSS 2012/01/25 APPR: JWIENER 2012/01/27 DESCRIPTION REV: A2	QUALITY SYMBOLS ▽=0 ▽=0
	GENERAL TOLERANCES (UNLESS SPECIFIED) 4 PLACES ± --- ± --- 3 PLACES ± --- ± --- 2 PLACES ± --- ± --- 1 PLACE ± --- ± --- ANGULAR ± 2 °

DIMENSION STYLE MM/IN DRAWN BY GMH DATE 2001/04/18 CHECKED BY SSS DATE 2001/04/18 APPROVED BY GMH DATE 2001/04/18	SCALE DESIGN UNITS METRIC THIRD ANGLE PROJECTION	TITLE SMA PLUG R/A 50 OHM RG58/223 SMA-PC, EWR-1320
MATERIAL NO. SEE TABLE	DOCUMENT NO. SD-73251-067	SHEET NO. 1 OF 1
DRAFT WHERE APPLICABLE MUST REMAIN WITHIN DIMENSIONS		
THIS DRAWING CONTAINS INFORMATION THAT IS PROPRIETARY TO MOLEX INCORPORATED AND SHOULD NOT BE USED WITHOUT WRITTEN PERMISSION		