



Chipsmall Limited consists of a professional team with an average of over 10 year of expertise in the distribution of electronic components. Based in Hongkong, we have already established firm and mutual-benefit business relationships with customers from,Europe,America and south Asia,supplying obsolete and hard-to-find components to meet their specific needs.

With the principle of “Quality Parts,Customers Priority,Honest Operation,and Considerate Service”,our business mainly focus on the distribution of electronic components. Line cards we deal with include Microchip,ALPS,ROHM,Xilinx,Pulse,ON,Everlight and Freescale. Main products comprise IC,Modules,Potentiometer,IC Socket,Relay,Connector.Our parts cover such applications as commercial,industrial, and automotives areas.

We are looking forward to setting up business relationship with you and hope to provide you with the best service and solution. Let us make a better world for our industry!



Contact us

Tel: +86-755-8981 8866 Fax: +86-755-8427 6832

Email & Skype: info@chipsmall.com Web: www.chipsmall.com

Address: A1208, Overseas Decoration Building, #122 Zhenhua RD., Futian, Shenzhen, China



MATERIALS AND FINISHES

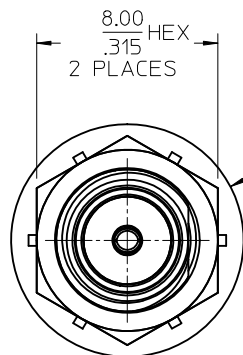
BODY, JAM NUT, CRIMP TUBE BRASS
PLATED GOLD

CENTER CONTACT BERYLLIUM COPPER
PLATED GOLD

INSULATOR TEFLON

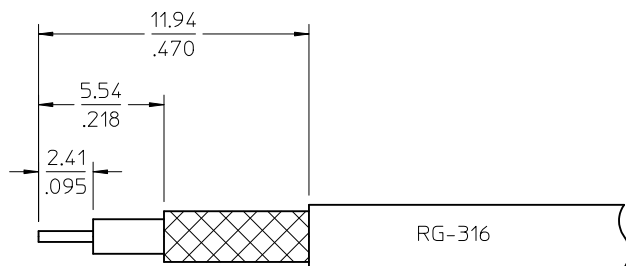
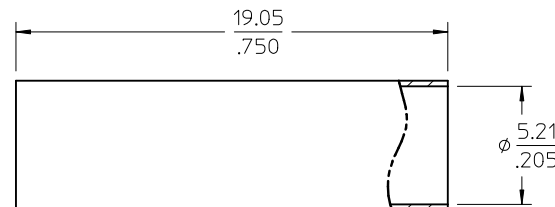
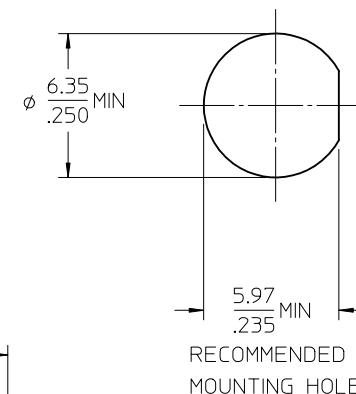
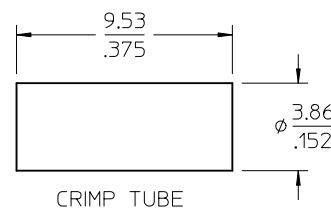
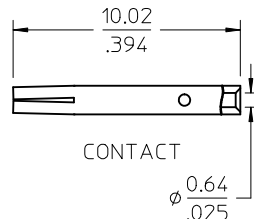
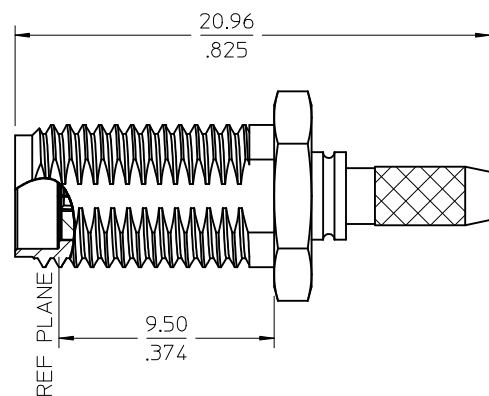
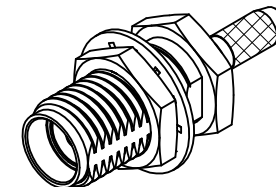
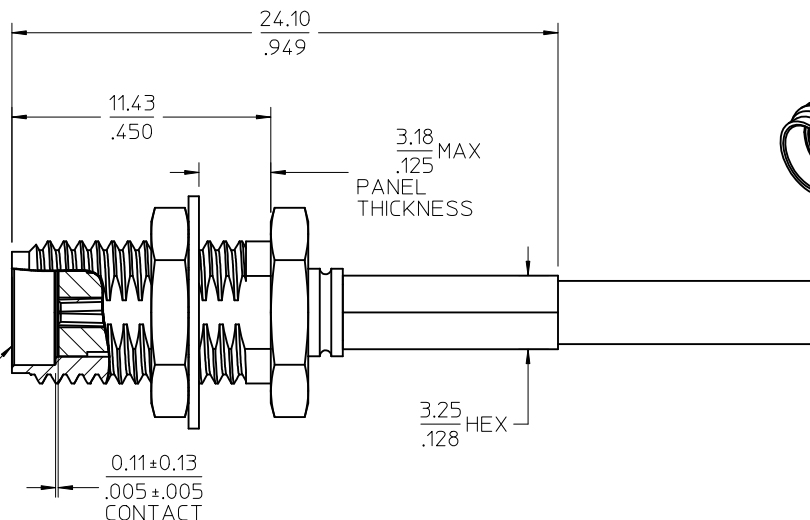
LOCKWASHER PHOSPHER BRONZE
PLATED GOLD

SHRINK TUBE BLACK



ϕ 10.26
.404
LOCKWASHER

SMA JACK
INTERFACE



RECOMMENDED CABLE STRIP

| | |
|--------------------------|-----------------------|
| PS-89675-3460 | ELECTRO/MECH PERFORM. |
| MIL-STD-348A, FIG. 310.2 | INTERFACE |
| SPECIFICATION | DESCRIPTION |

| | |
|------------|----------------------------------|
| 73251-0933 | P/N 73251-0930, BY TRAY (20CAV.) |
| 73251-0932 | ONE PIECE 73251-0930 PER BAG |
| 73251-0931 | WITHOUT SHRINK TUBE |
| 73251-0930 | WITH SHRINK TUBE |
| PART NO. | PACKAGING |

CHG: DELETE ASSY
SPEC ES-89675-164
PS-89675-346 WAS
ES-89675-2100
EC NO: URF2011-0777
DRWN:JIENER 2011/07/01
CHKD:SSS 2011/07/01
APPR:JIENER 2011/07/05

QUALITY SYMBOLS
▽=0
▽=0

GENERAL TOLERANCES (UNLESS SPECIFIED)

| | mm | INCH |
|----------|--------|---------|
| 4 PLACES | ± .005 | ± .0005 |
| 3 PLACES | ± .005 | ± .0005 |
| 2 PLACES | ± .005 | ± .0005 |
| 1 PLACE | ± .005 | ± .0005 |

ANGULAR ± 2 °

DRAFT WHERE APPLICABLE
MUST REMAIN
WITHIN DIMENSIONS

DIMENSION STYLE
MM/IN

SCALE
M/M

DESIGN UNITS
METRIC

THIRD ANGLE PROJECTION

DRAWN BY DATE
TEF 2002/04/03

CHECKED BY DATE
SSS 2002/04/03

APPROVED BY DATE
GMH 2002/04/03

MATERIAL NO.
SEE TABLE

SIZE
C

TITLE
SMA JACK, BLKHD, RG316
50 OHMS, EWR-1691
SMA-JC

MOLEX INCORPORATED

DOCUMENT NO.
SD-73251-093

SHEET NO.
1 OF 1

THIS DRAWING CONTAINS INFORMATION THAT IS PROPRIETARY TO MOLEX INCORPORATED AND SHOULD NOT BE USED WITHOUT WRITTEN PERMISSION