



Chipsmall Limited consists of a professional team with an average of over 10 year of expertise in the distribution of electronic components. Based in Hongkong, we have already established firm and mutual-benefit business relationships with customers from,Europe,America and south Asia,supplying obsolete and hard-to-find components to meet their specific needs.

With the principle of "Quality Parts,Customers Priority,Honest Operation,and Considerate Service",our business mainly focus on the distribution of electronic components. Line cards we deal with include Microchip,ALPS,ROHM,Xilinx,Pulse,ON,Everlight and Freescale. Main products comprise IC,Modules,Potentiometer,IC Socket,Relay,Connector.Our parts cover such applications as commercial,industrial, and automotives areas.

We are looking forward to setting up business relationship with you and hope to provide you with the best service and solution. Let us make a better world for our industry!



Contact us

Tel: +86-755-8981 8866 Fax: +86-755-8427 6832

Email & Skype: info@chipsmall.com Web: www.chipsmall.com

Address: A1208, Overseas Decoration Building, #122 Zhenhua RD., Futian, Shenzhen, China



MATERIALS & FINISHES

BODY: BRASS
PLATED GOLD

CONTACT: BRASS
PLATED GOLD

INSULATOR: TEFLON

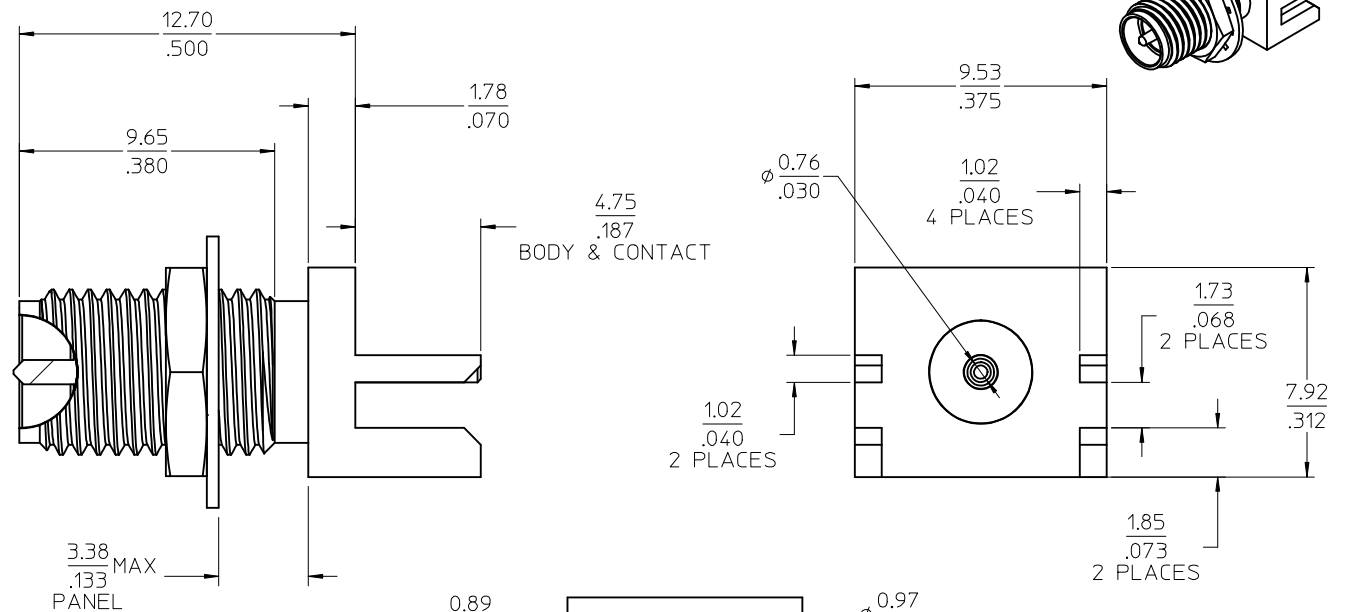
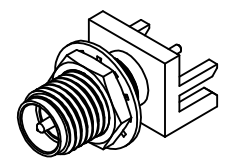
JAM NUT: BRASS
PLATED GOLD

LOCK WASHER: PHOSPHOR BRONZE
PLATED GOLD

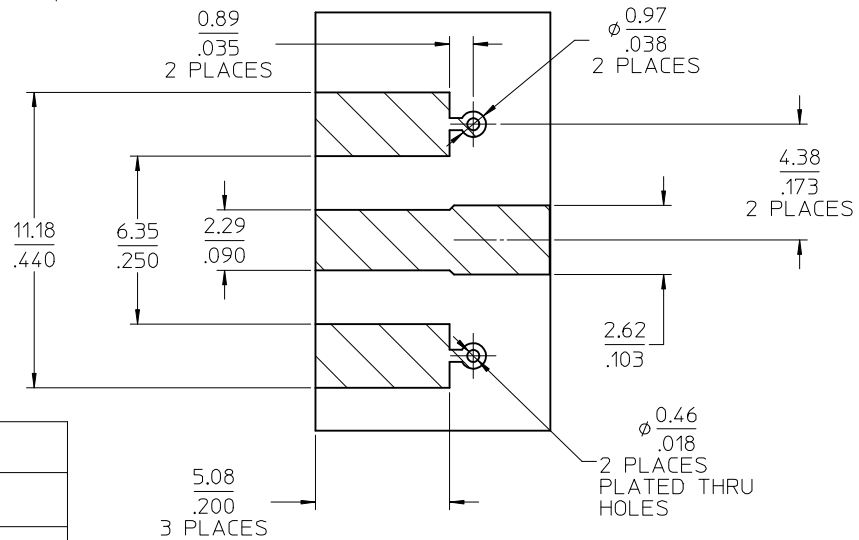
HARDWARE:

JAM NUT: 7.877/.310 HEX X 1.55/.061

LOCK WASHER: $\phi 10.26/1.404$ X $\phi 6.65/1.262$ X $.46/0.018$



PCB LAYOUT:
BOARD THICKNESS IS 1.57/.062



73251-1041	NOT INCLUDED
------------	--------------

73251-1040	INCLUDED
------------	----------

PART NO.	HARDWARE
----------	----------

CHG: ADD -1041
REMOVE REF FROM
DIMENSIONS

EC NO: URF2010-0224
2009/10/14
DRWN: JWIENER
2009/10/14
CHKD: SSHAH
2009/10/14
APPR: JWIENER
2009/10/14

QUALITY SYMBOLS
▽=0
▽=0

GENERAL TOLERANCES (UNLESS SPECIFIED)

	mm	INCH
4 PLACES	± .005	± .0002
3 PLACES	± .005	± .0002
2 PLACES	± .005	± .0002
1 PLACE	± .005	± .0002

ANGULAR ± 2°

DRAFT WHERE APPLICABLE
MUST REMAIN
WITHIN DIMENSIONS

DIMENSION STYLE
MM/IN

DRAWN BY	DATE
AZR	2004/12/01
CHECKED BY	DATE
SSS	2004/12/01
APPROVED BY	DATE
JDW	2004/12/01

MATERIAL NO.
SEE TABLE

SCALE
DESIGN UNITS
METRIC

THIRD ANGLE PROJECTION

TITLE
SMA, JACK REV POLAR
EDGEMOUNT FOR .062 PCB
SMA-J/PCB

MOLEX MOLEX INCORPORATED

DOCUMENT NO.
SD-73251-104

SHEET NO.
1 OF 1

THIS DRAWING CONTAINS INFORMATION THAT IS PROPRIETARY TO MOLEX
INCORPORATED AND SHOULD NOT BE USED WITHOUT WRITTEN PERMISSION