



Chipsmall Limited consists of a professional team with an average of over 10 year of expertise in the distribution of electronic components. Based in Hongkong, we have already established firm and mutual-benefit business relationships with customers from,Europe,America and south Asia,supplying obsolete and hard-to-find components to meet their specific needs.

With the principle of “Quality Parts,Customers Priority,Honest Operation,and Considerate Service”,our business mainly focus on the distribution of electronic components. Line cards we deal with include Microchip,ALPS,ROHM,Xilinx,Pulse,ON,Everlight and Freescale. Main products comprise IC,Modules,Potentiometer,IC Socket,Relay,Connector.Our parts cover such applications as commercial,industrial, and automotives areas.

We are looking forward to setting up business relationship with you and hope to provide you with the best service and solution. Let us make a better world for our industry!



Contact us

Tel: +86-755-8981 8866 Fax: +86-755-8427 6832

Email & Skype: info@chipsmall.com Web: www.chipsmall.com

Address: A1208, Overseas Decoration Building, #122 Zhenhua RD., Futian, Shenzhen, China



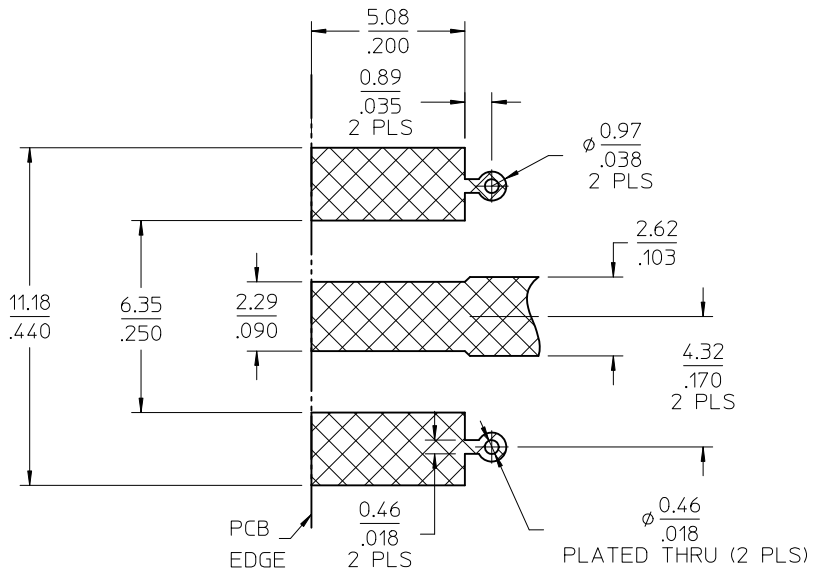
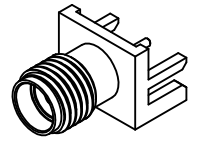
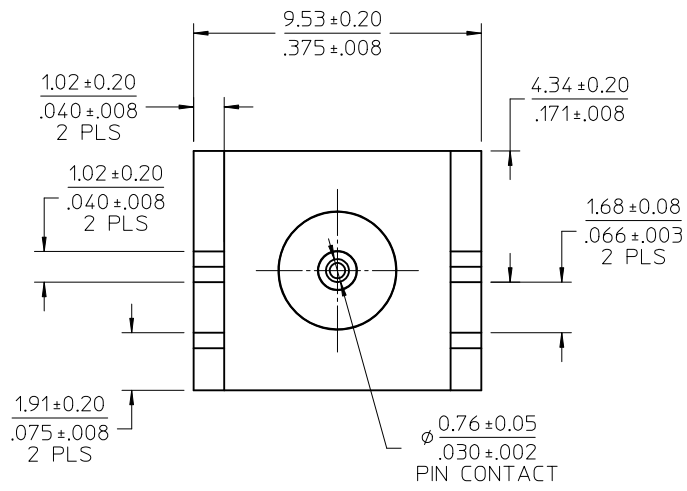
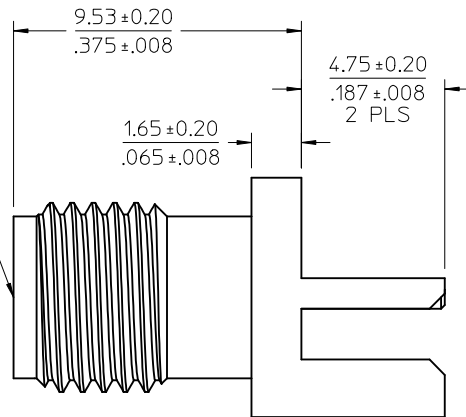
MATERIALS AND FINISHES

BODY BRASS
PLATED GOLD (SEE TABLE)

CENTER CONTACT BERYLLIUM COPPER
PLATED GOLD (SEE TABLE)

INSULATOR TEFLON

SMA JACK
INTERFACE



RECOMMENDED MOUNTING PAD

BASE WIDTH: 9.53(.375)
BOARD THICKNESS: 1.57(.062)
BOARD MATERIAL: FR4 W/28 g(1.0 OZ) COPPER
ON BOTTOM (GROUND) SIDE

PS-89675-2820	ELEC/MECH PERFORMANCE
MIL-STD-348A, FIG. 310.2	INTERFACE
SPECIFICATION	DESCRIPTION

73251-1153	GOLD FLASH	GOLD 5μ"	TRAY (80 PIECES)
73251-1152	GOLD	GOLD	TRAY (20 PIECES)
73251-1151	GOLD	GOLD	ONE 73251-1150 PER BAG
73251-1150	GOLD	GOLD	TRAY (80 PIECES)
PART NO.	BODY PLATING	CONTACT PLATING	PACKAGING
DIM X			

CHG: ADDED -1153 PER PDR1103766 IEC NO: URF2012-0213 DRW/CWE102 2011/03/23 CHKD: APPR:MHUANG 2011/12/13 A6	QUALITY SYMBOLS	GENERAL TOLERANCES (UNLESS SPECIFIED) DIM mm INCH 4 PLACES ± --- ± --- 3 PLACES ± --- ± --- 2 PLACES ± --- ± --- 1 PLACE ± --- ± --- ANGULAR ± 2°	DIMENSION STYLE MM/IN DRAWN BY DATE TEF 2002/06/27 CHECKED BY DATE SSS 2002/06/27 APPROVED BY DATE GMH 2002/06/27	SCALE DESIGN UNITS METRIC THIRD ANGLE PROJECTION
		DRAFT WHERE APPLICABLE MUST REMAIN WITHIN DIMENSIONS	MATERIAL NO. SEE TABLE SIZE C	TITLE SMA JACK, EDGE MOUNT 50 OHMS, EWR-1764 SMA-J/PCB MOLEX INCORPORATED DOCUMENT NO. SD-73251-115 SHEET NO. 1 OF 1
			THIS DRAWING CONTAINS INFORMATION THAT IS PROPRIETARY TO MOLEX INCORPORATED AND SHOULD NOT BE USED WITHOUT WRITTEN PERMISSION	