



Chipsmall Limited consists of a professional team with an average of over 10 year of expertise in the distribution of electronic components. Based in Hongkong, we have already established firm and mutual-benefit business relationships with customers from,Europe,America and south Asia,supplying obsolete and hard-to-find components to meet their specific needs.

With the principle of “Quality Parts,Customers Priority,Honest Operation,and Considerate Service”,our business mainly focus on the distribution of electronic components. Line cards we deal with include Microchip,ALPS,ROHM,Xilinx,Pulse,ON,Everlight and Freescale. Main products comprise IC,Modules,Potentiometer,IC Socket,Relay,Connector.Our parts cover such applications as commercial,industrial, and automotives areas.

We are looking forward to setting up business relationship with you and hope to provide you with the best service and solution. Let us make a better world for our industry!



Contact us

Tel: +86-755-8981 8866 Fax: +86-755-8427 6832

Email & Skype: info@chipsmall.com Web: www.chipsmall.com

Address: A1208, Overseas Decoration Building, #122 Zhenhua RD., Futian, Shenzhen, China

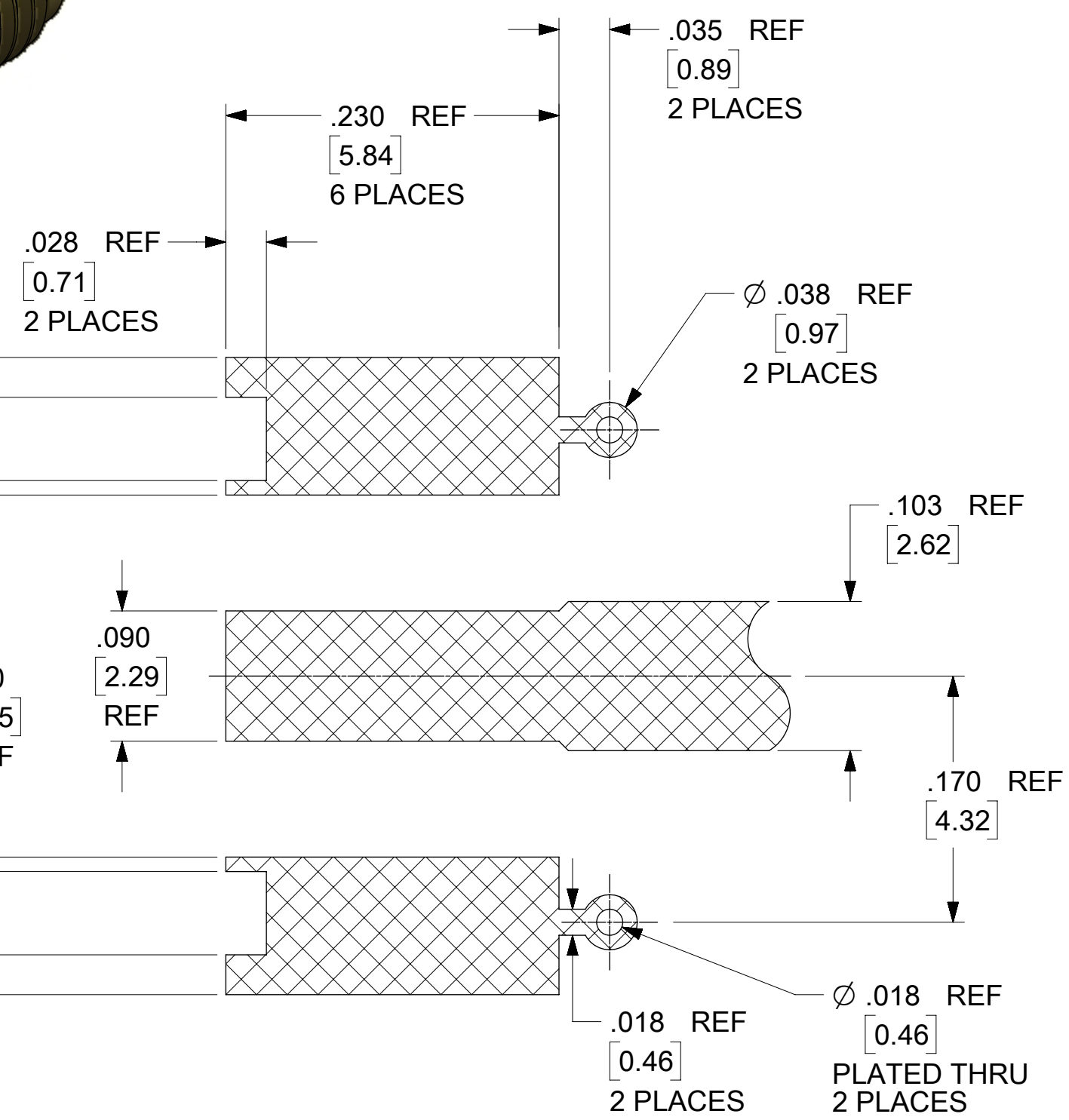
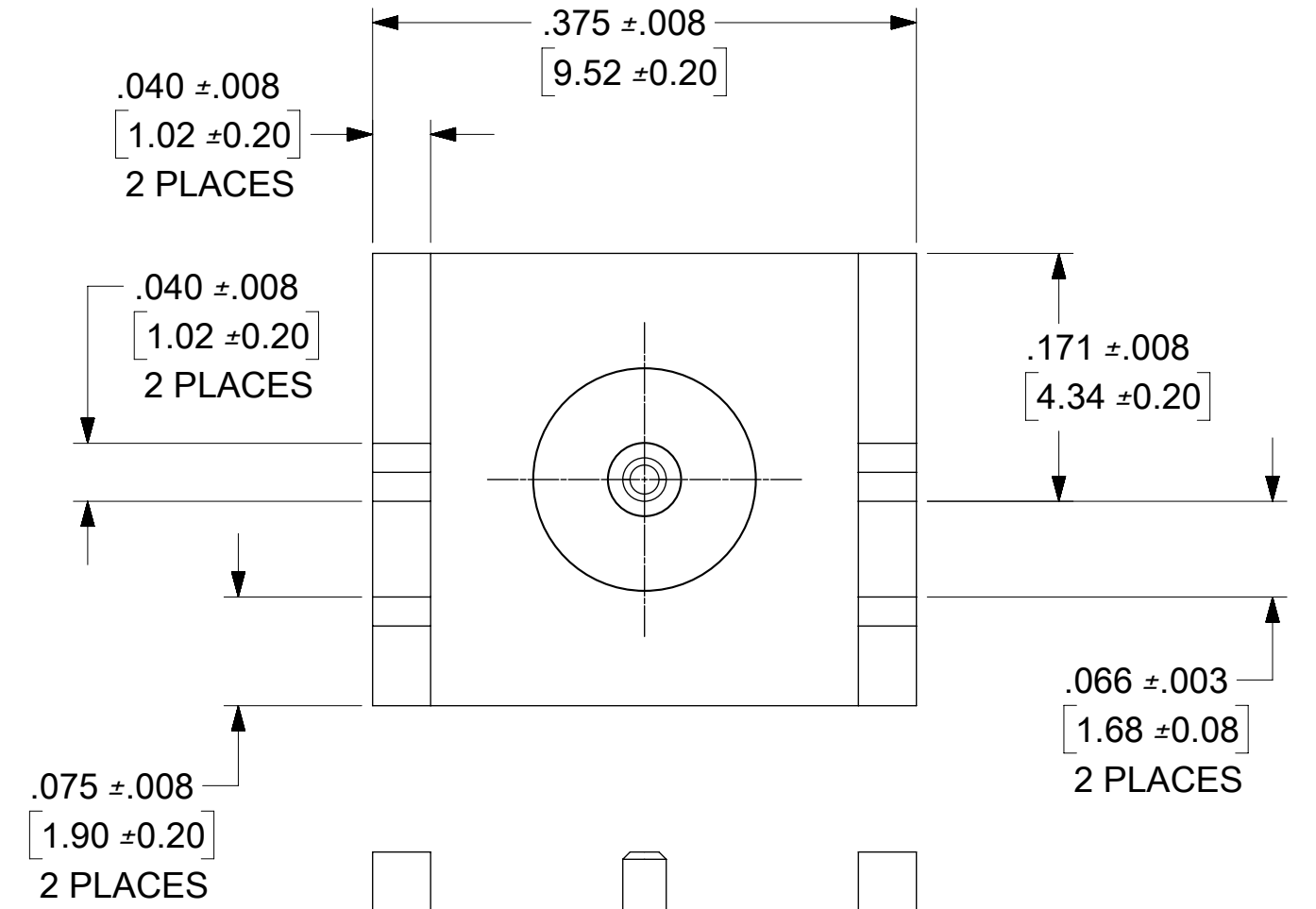
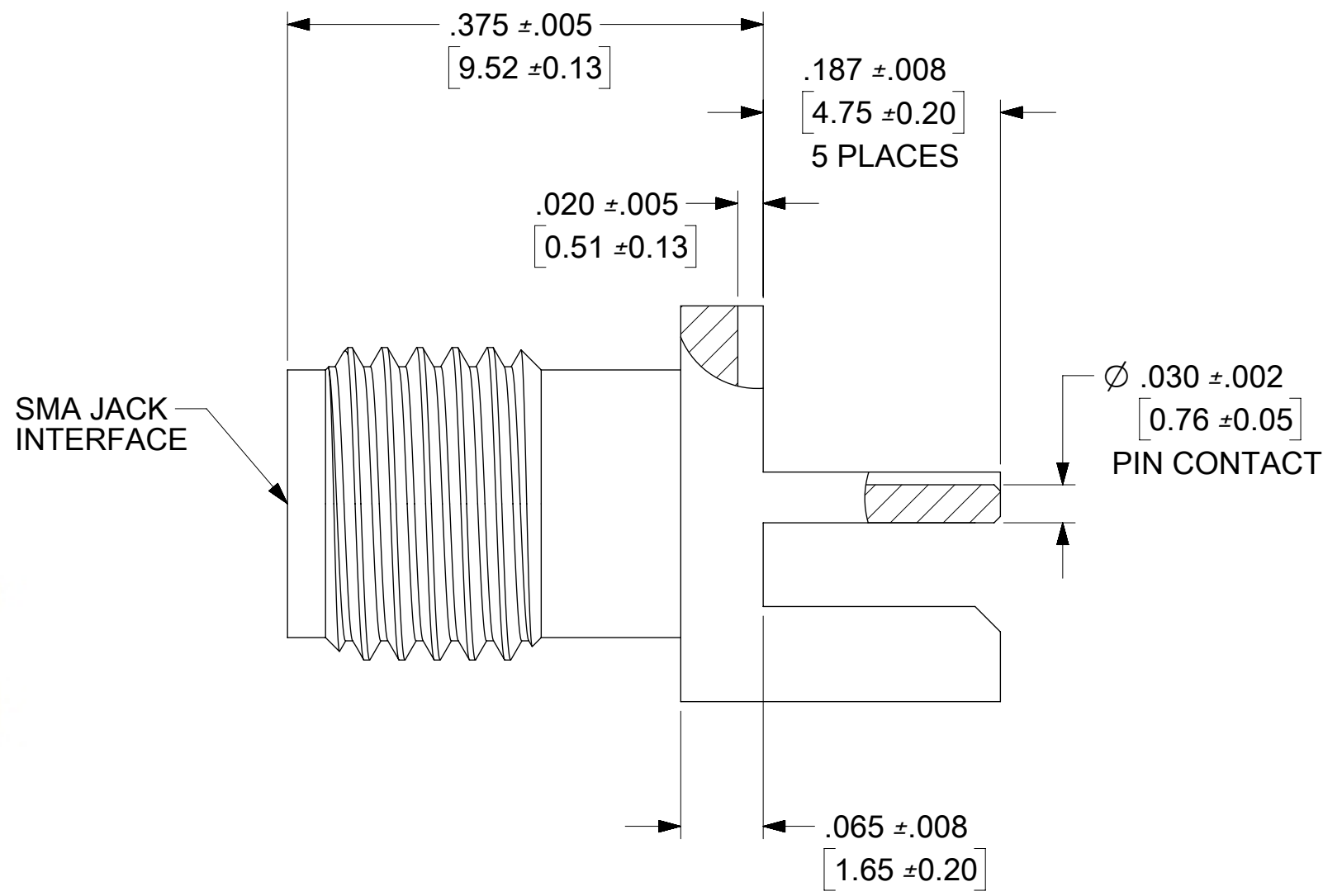
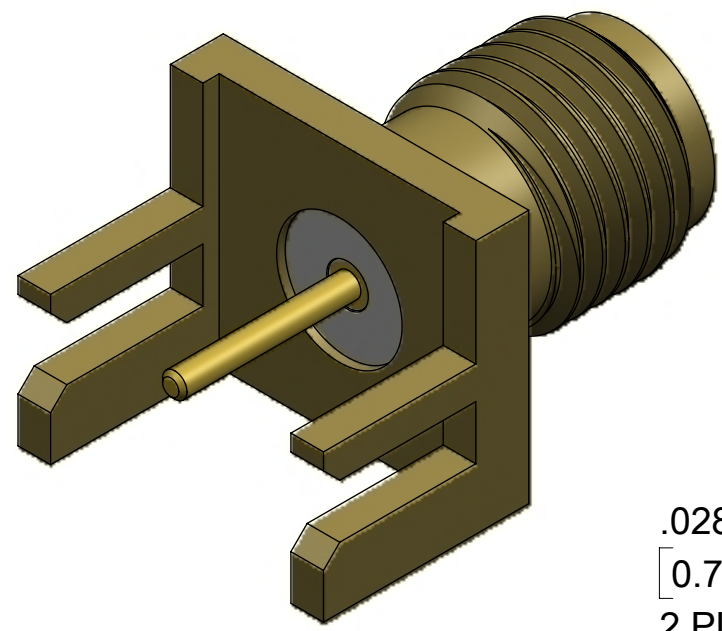
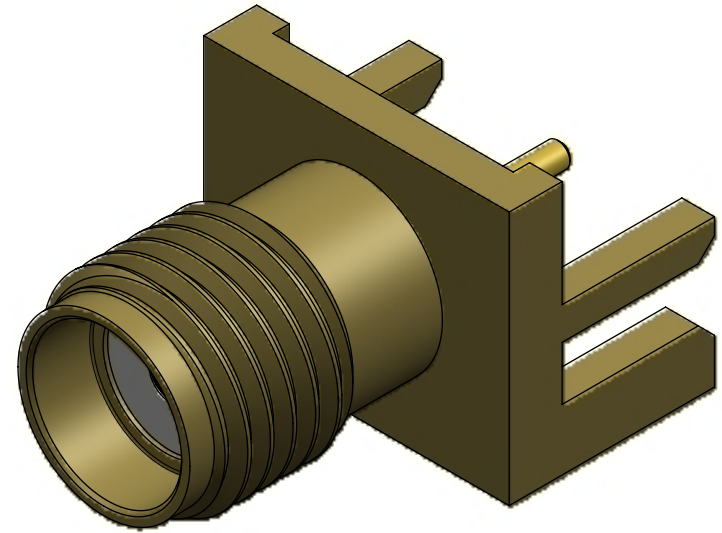


MATERIALS AND FINISHES

**BODY: BRASS
PLATED GOLD (SEE TABLE)**

**CENTER CONTACT: BERYLLIUM COPPER
PLATED GOLD (SEE TABLE)**

INSULATOR: PTFE



PCB PAD (FOR REFERENCE ONLY)
BOARD THICKNESS: .062 [1.57]
BOARD MATERIAL: FR4 WITH 1.0 OZ (28 g) COPPER ON BOTTOM (GROUND) SIDE

73251-1153	GOLD (1μ-in MIN) OVER NICKEL (50μ-in MIN)	GOLD (5μ-in MIN) OVER NICKEL (50μ-in MIN)	TRAY (80 PIECES)
73251-1152	GOLD (10μ-in MIN) OVER NICKEL (50μ-in MIN)	GOLD (10μ-in MIN) OVER NICKEL (100μ-in MIN)	TRAY (20 PIECES)
73251-1151	GOLD (10μ-in MIN) OVER NICKEL (50μ-in MIN)	GOLD (10μ-in MIN) OVER NICKEL (100μ-in MIN)	ONE 73251-1150 PER BAG
73251-1150	GOLD (10μ-in MIN) OVER NICKEL (50μ-in MIN)	GOLD (10μ-in MIN) OVER NICKEL (100μ-in MIN)	TRAY (80 PIECES)

PART NO.	BODY	CONTACT	DESCRIPTION
	PLATING		PACKAGING

THIS DRAWING CONTAINS INFORMATION THAT IS PROPRIETARY TO MOLEX ELECTRONIC TECHNOLOGIES, LLC AND SHOULD NOT BE USED WITHOUT WRITTEN PERMISSION

SYMBOLS	DIMENSION UNITS	SCALE	CURRENT REV DESC: SEE ECM
▽ = 0	INCH	NTS	
▽ = 0	GENERAL TOLERANCES (UNLESS SPECIFIED)		
▽ = 0		MM	INCH
▽ = 0	4 PLACES ±	±	
▽ = 0	3 PLACES ±	± 0.005	
▽ = 0	2 PLACES ±	± 0.01	
▽ = 0	1 PLACE ±	± 0.25	
▽ = 0	0 PLACES ±	±	
▽ = 0	ANGULAR TOL	± 2.0°	
▽ = 0	DRAFT WHERE APPLICABLE MUST REMAIN WITHIN DIMENSIONS		

EC NO: 172847	DRWN: LMEIER	2018/02/23
CHK'D: SSSHAH	2018/03/01	
APPR: AROBERTSON	2018/03/01	
INITIAL REVISION:		
DRWN: TEF	2002/06/27	
APPR: GMH	2002/06/27	

THIRD ANGLE PROJECTION		DRAWING	SERIES	MATERIAL NUMBER	CUSTOMER	SHEET NUMBER
C-SIZE		73251	SEE TABLE			1 OF 1

molex

SMA JACK, EDGE MOUNT
50 OHMS, EWR-11795 SMA-J/PCB

PRODUCT CUSTOMER DRAWING

DOCUMENT NUMBER: **SD-73251-115** | DOC TYPE: PSD | DOC PART: 001 | REVISION: B1

PS-89675-3460	PRODUCT SPECIFICATION
MIL-STD-348B, FIG. 310-2	INTERFACE
SPECIFICATION	DESCRIPTION
DOCUMENT STATUS	P1
RELEASE DATE	2018/03/01 20:38:20