



Chipsmall Limited consists of a professional team with an average of over 10 year of expertise in the distribution of electronic components. Based in Hongkong, we have already established firm and mutual-benefit business relationships with customers from,Europe,America and south Asia,supplying obsolete and hard-to-find components to meet their specific needs.

With the principle of "Quality Parts,Customers Priority,Honest Operation,and Considerate Service",our business mainly focus on the distribution of electronic components. Line cards we deal with include Microchip,ALPS,ROHM,Xilinx,Pulse,ON,Everlight and Freescale. Main products comprise IC,Modules,Potentiometer,IC Socket,Relay,Connector.Our parts cover such applications as commercial,industrial, and automotives areas.

We are looking forward to setting up business relationship with you and hope to provide you with the best service and solution. Let us make a better world for our industry!



## Contact us

Tel: +86-755-8981 8866 Fax: +86-755-8427 6832

Email & Skype: info@chipsmall.com Web: www.chipsmall.com

Address: A1208, Overseas Decoration Building, #122 Zhenhua RD., Futian, Shenzhen, China



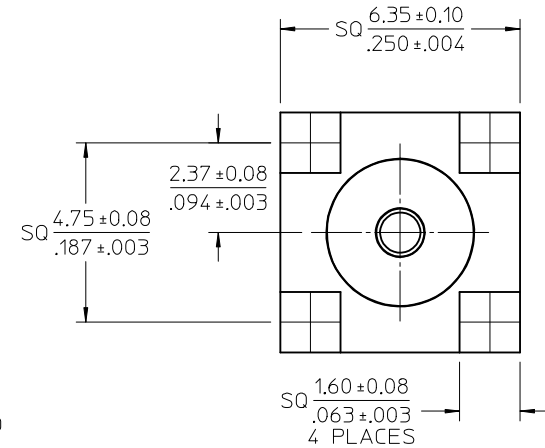
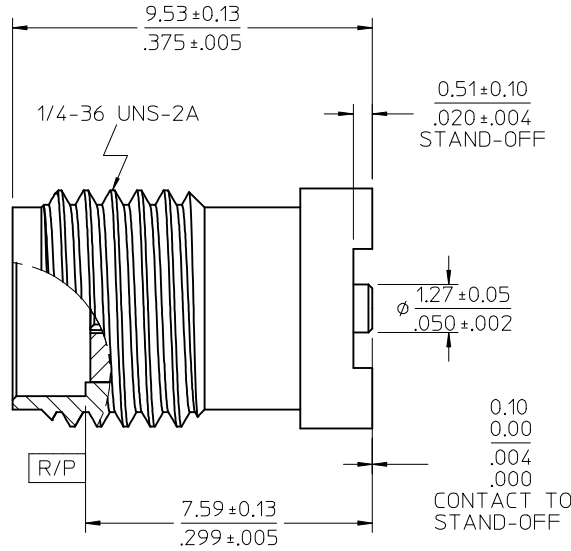
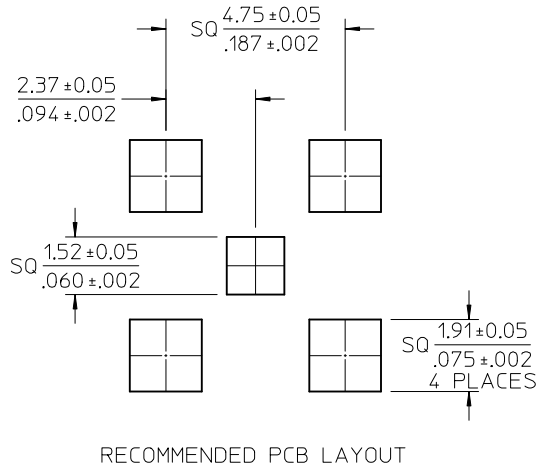
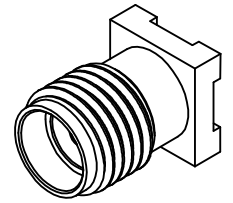
MATERIALS & FINISHES

BODY: BRASS  
PLATED: SEE TABLE

CONTACT: BERYLLIUM COPPER  
PLATED: GOLD

INSULATOR: TEFLON

KAPTON: POLYIMIDE FILM  
(ON -1355 ONLY)



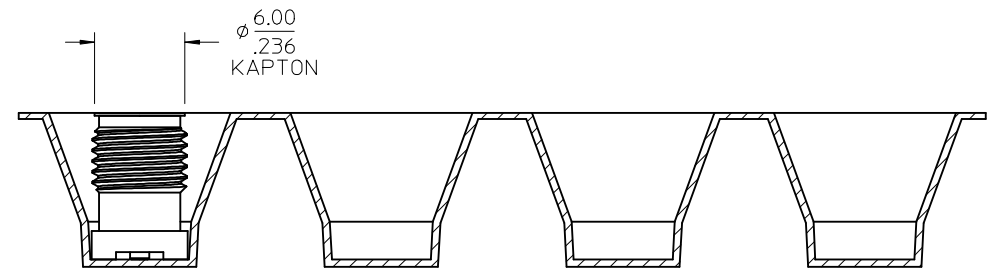
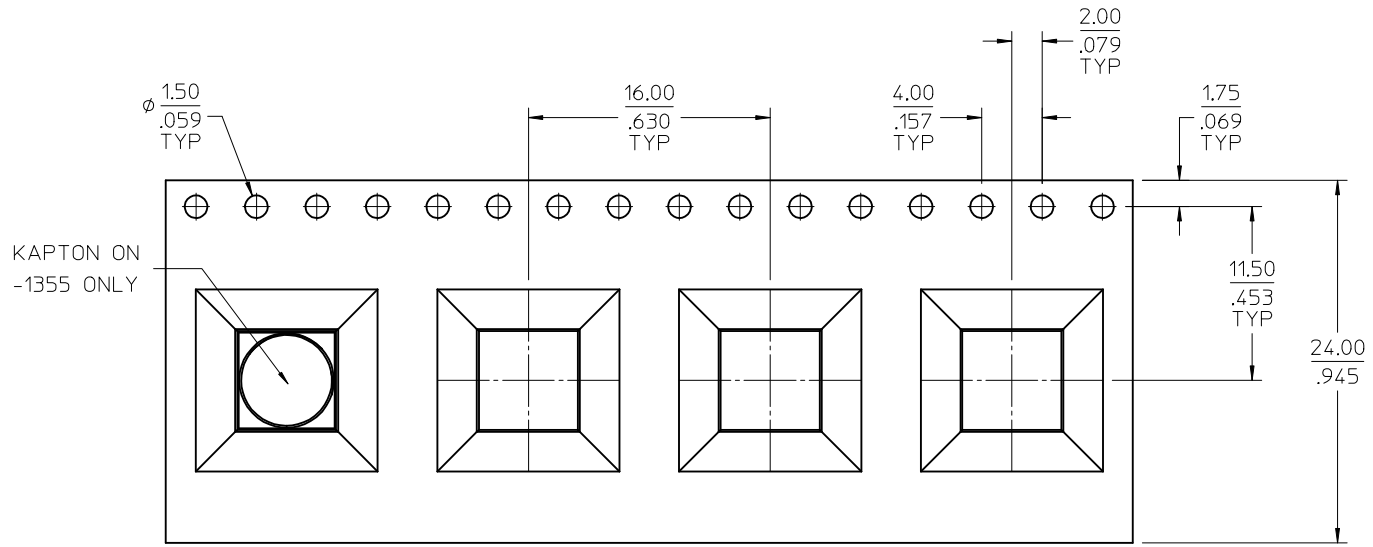
73251-1355	T & R W/KAPTON (400 PCS / REEL) BODY GOLD
73251-1354	TAPE & REEL (400 PCS / REEL) BODY NICKEL
73251-1353	TRAY PACK (80 PCS / TRAY) / BODY NICKEL
73251-1352	ONE PIECE 73251-1350 PER BAG / BODY GOLD
73251-1351	TAPE & REEL (400 PCS / REEL) / BODY GOLD
73251-1350	TRAY PACK (80 PCS / TRAY) / BODY GOLD
PART NO	TAPE & REEL (400 PCS / REEL) / BODY GOLD

PS-89675-3460	ELEC/MECH PERFORMANCE
MIL-STD-348A, FIG. 310.2	INTERFACE
SPECIFICATION	DESCRIPTION

CHG: PS-89675-3460 ADD PER RF15-E255 EC NO: URF2016-0029 DRWR:YEH 2015/07/16 CHKD: APPR:YCHENG 2015/07/23	QUALITY SYMBOLS ∇=0 ∇=0 ∇=0	GENERAL TOLERANCES (UNLESS SPECIFIED)		DIMENSION STYLE MM/IN		SCALE 10:1	DESIGN UNITS METRIC	THIRD ANGLE PROJECTION			
		4 PLACES	±	---	±	---	DRAWN BY	DATE	SMA, JACK VERTICAL PCB SMT SMA-J/PCB, EWR-2107 <b>molex</b> DOCUMENT NO. SD-73251-135 SHEET NO. 1 OF 3		
		3 PLACES	±	---	±	---	CHECKED BY	DATE			
		2 PLACES	±	---	±	---	TEF	2000/05/16			
1 PLACE	±	---	±	---	APPROVED BY	DATE					
0 PLACE	±	---	±	---	GMH	2000/05/16	MATERIAL NO. SEE TABLE		THIS DRAWING CONTAINS INFORMATION THAT IS PROPRIETARY TO MOLEX INCORPORATED AND SHOULD NOT BE USED WITHOUT WRITTEN PERMISSION		
DRAFT WHERE APPLICABLE MUST REMAIN WITHIN DIMENSIONS		ANGULAR ± 2 °		SIZE C							

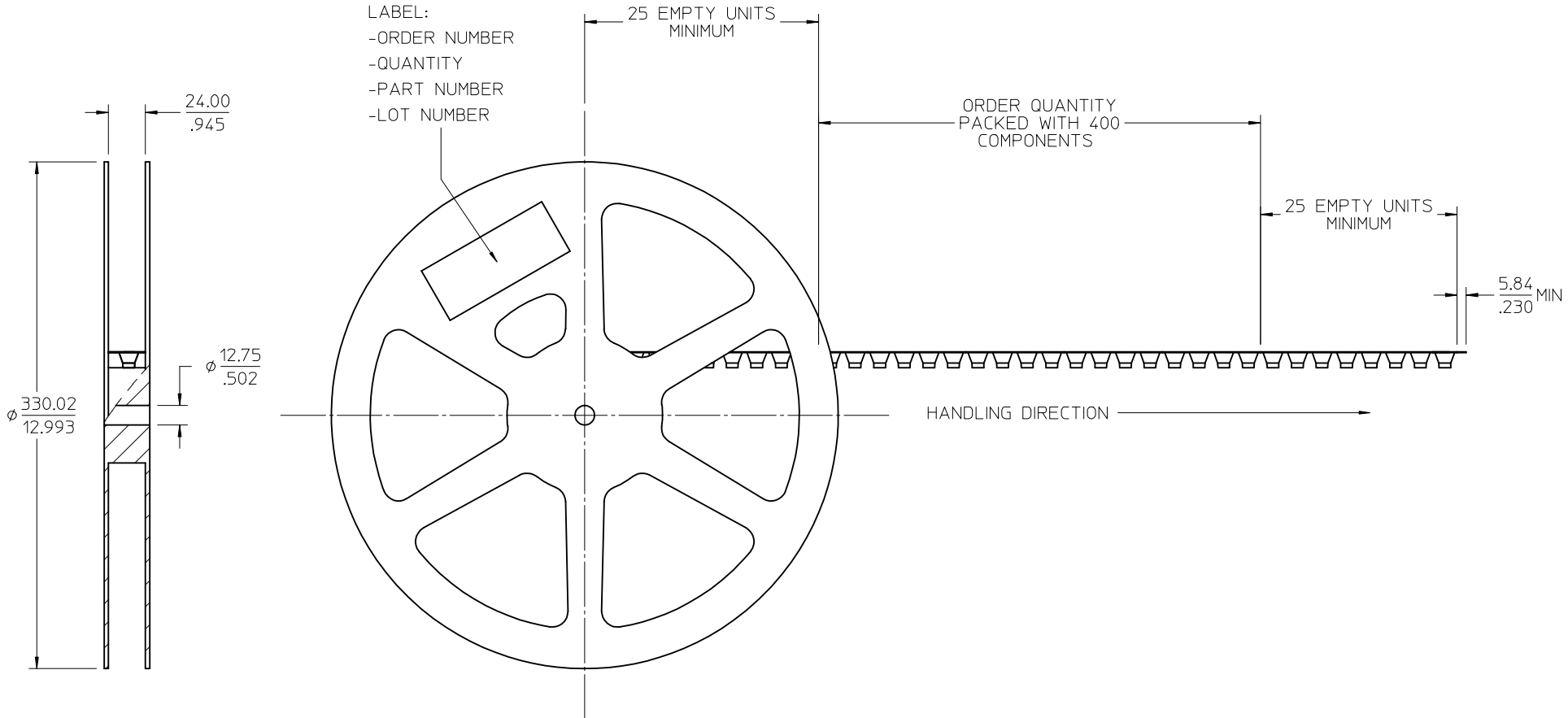
13 12 11 10 9 8 7 6 5 4 3 2 1

J I H G F E D C B A



CHG/SEE SHEET 1 EC NO: URF2016-0029 DRW: YEH 2015/07/16 CHKD: YEH APPR: YCHENG 2015/07/23	QUALITY SYMBOLS	GENERAL TOLERANCES (UNLESS SPECIFIED)	DIMENSION STYLE	SCALE	DESIGN UNITS	THIRD ANGLE PROJECTION
	▽=0	mm INCH	MM/IN	4:1	METRIC	☉
	▽=0	4 PLACES ± --- ± ---	DRAWN BY DATE	TITLE SMA, JACK VERTICAL PCB SMT SMA-J/PCB, EWR-2107 <b>molex</b> DOCUMENT NO. SD-73251-135 SHEET NO. 2 OF 3		
	▽=0	3 PLACES ± --- ± ---	SSS 2000/05/16			
	2 PLACES ± --- ± ---	CHECKED BY DATE				
	1 PLACE ± --- ± ---	TEF 2000/05/16				
	0 PLACE ± ±	APPROVED BY DATE				
		GMH 2000/05/16				
		MATERIAL NO.				
		ANGULAR ± 2 °				
		DRAFT WHERE APPLICABLE MUST REMAIN WITHIN DIMENSIONS	SEE TABLE			

12 11 10 9 8 7 6 5 4 3 2 1



<b>CHG:SEE SHEET 1</b> EC NO: URF2016-0029 DRW:RYEH 2015/07/16 CHKD: APPR:YCHENG 2015/07/23	QUALITY SYMBOLS ▽=0 ▽=0 ▽=0	GENERAL TOLERANCES (UNLESS SPECIFIED) <table border="1"> <thead> <tr> <th></th> <th>mm</th> <th>INCH</th> </tr> </thead> <tbody> <tr> <td>4 PLACES</td> <td>± .---</td> <td>± .---</td> </tr> <tr> <td>3 PLACES</td> <td>± .---</td> <td>± .---</td> </tr> <tr> <td>2 PLACES</td> <td>± .---</td> <td>± .---</td> </tr> <tr> <td>1 PLACE</td> <td>± .---</td> <td>± .---</td> </tr> <tr> <td>0 PLACE</td> <td>±</td> <td>±</td> </tr> </tbody> </table>		mm	INCH	4 PLACES	± .---	± .---	3 PLACES	± .---	± .---	2 PLACES	± .---	± .---	1 PLACE	± .---	± .---	0 PLACE	±	±	DIMENSION STYLE <b>MM/IN</b> DRAWN BY: SSS DATE: 2000/05/16 CHECKED BY: TEF DATE: 2000/05/16 APPROVED BY: GMH DATE: 2000/05/16	SCALE: 1:2 DESIGN UNITS: METRIC THIRD ANGLE PROJECTION	TITLE: <b>SMA, JACK          VERTICAL PCB SMT          SMA-J/PCB, EWR-2107</b> <b>molex</b>	MATERIAL NO. <b>SEE TABLE</b>	DOCUMENT NO. <b>SD-73251-135</b>	SHEET NO. <b>3 OF 3</b>
		mm	INCH																							
	4 PLACES	± .---	± .---																							
	3 PLACES	± .---	± .---																							
2 PLACES	± .---	± .---																								
1 PLACE	± .---	± .---																								
0 PLACE	±	±																								
DRAFT WHERE APPLICABLE MUST REMAIN WITHIN DIMENSIONS	ANGULAR ± 2 °	THIS DRAWING CONTAINS INFORMATION THAT IS PROPRIETARY TO MOLEX INCORPORATED AND SHOULD NOT BE USED WITHOUT WRITTEN PERMISSION																								
SIZE: C																										