



Chipsmall Limited consists of a professional team with an average of over 10 year of expertise in the distribution of electronic components. Based in Hongkong, we have already established firm and mutual-benefit business relationships with customers from,Europe,America and south Asia,supplying obsolete and hard-to-find components to meet their specific needs.

With the principle of “Quality Parts,Customers Priority,Honest Operation,and Considerate Service”,our business mainly focus on the distribution of electronic components. Line cards we deal with include Microchip,ALPS,ROHM,Xilinx,Pulse,ON,Everlight and Freescale. Main products comprise IC,Modules,Potentiometer,IC Socket,Relay,Connector.Our parts cover such applications as commercial,industrial, and automotives areas.

We are looking forward to setting up business relationship with you and hope to provide you with the best service and solution. Let us make a better world for our industry!



## Contact us

Tel: +86-755-8981 8866 Fax: +86-755-8427 6832

Email & Skype: info@chipsmall.com Web: www.chipsmall.com

Address: A1208, Overseas Decoration Building, #122 Zhenhua RD., Futian, Shenzhen, China



MATERIALS AND FINISHES

BODY, JAM NUT, CRIMP TUBE BRASS  
PLATED GOLD

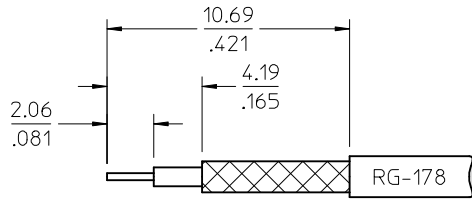
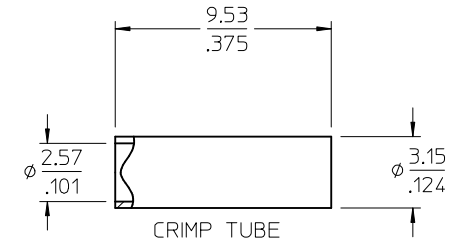
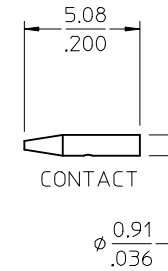
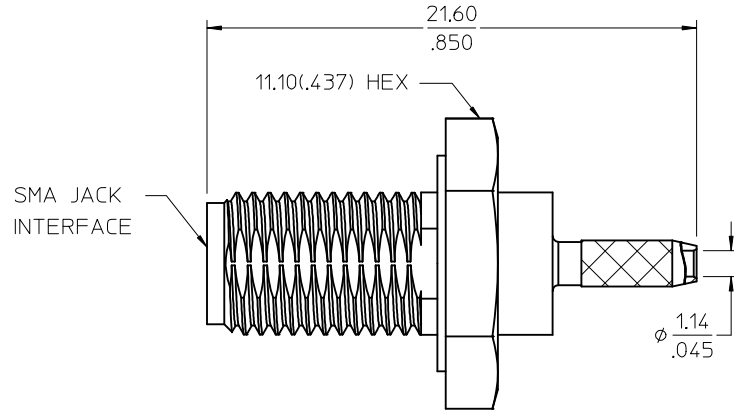
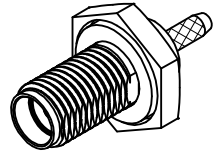
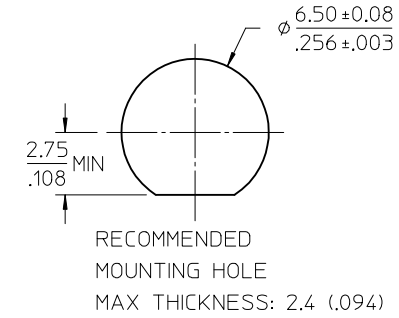
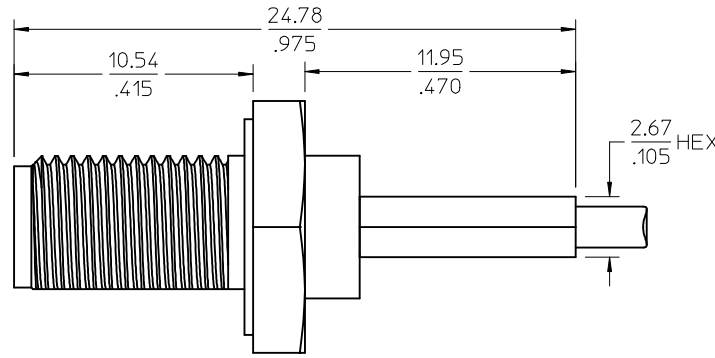
CENTER CONTACT BERYLLIUM COPPER  
PLATED GOLD

INSULATOR TEFLON

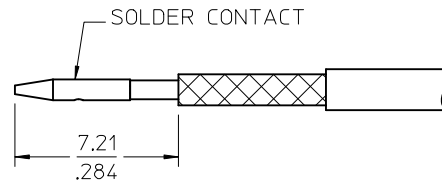
PIN CONTACT: BRASS  
PLATED: GOLD

LOCKWASHER: PHOSPHOR BRONZE  
PLATED: GOLD

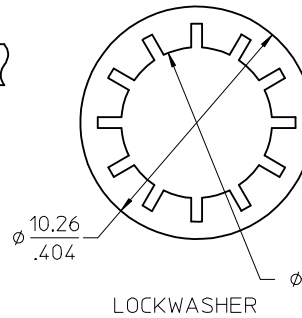
GASKET: SILICONE RUBBER



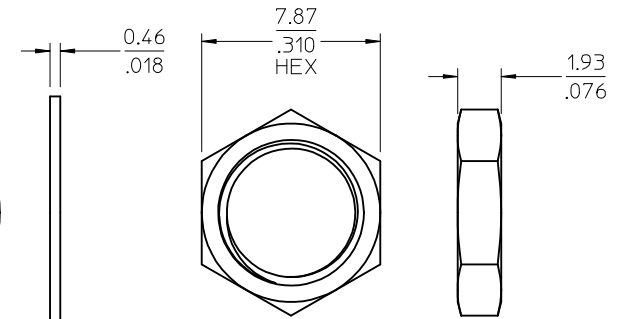
SUGGESTED CABLE STRIP



SOLDER CONTACT



LOCKWASHER



JAM NUT

MIL-STD-348A, FIG. 310.2	INTERFACE
SPECIFICATION	DESCRIPTION

73251-1481	SINGLE BAG
73251-1480	BULK
PART NO.	PACKAGING

CHG: ADDED CONTACT  
SOLDER VIEW  
EC NO: URF2015-0310  
DRWN: LEE02  
CHKD: SSS  
APPR: ROBERTSON

2014/12/11  
2014/12/11  
2014/12/15

REV DESCRIPTION

QUALITY SYMBOLS

GENERAL TOLERANCES (UNLESS SPECIFIED)

	mm	INCH
4 PLACES	± .005	± .0002
3 PLACES	± .005	± .0002
2 PLACES	± .005	± .0002
1 PLACE	± .005	± .0002

ANGULAR ± 2°

DRAFT WHERE APPLICABLE  
MUST REMAIN  
WITHIN DIMENSIONS

DIMENSION STYLE

MM/IN

DRAWN BY DATE  
JM 2004/10/12

CHECKED BY DATE  
JM 2004/10/12

APPROVED BY DATE  
JWIENER 2010/01/28

MATERIAL NO.  
SEE TABLE

SIZE

SCALE

DESIGN UNITS

METRIC

THIRD ANGLE PROJECTION

TITLE

SMA JACK, BLKHD FOR RG178  
50 OHMS, EWR-2608  
SMA-JC

MOLEX INCORPORATED

DOCUMENT NO.  
SD-73251-148

SHEET NO.  
1 OF 1

THIS DRAWING CONTAINS INFORMATION THAT IS PROPRIETARY TO MOLEX INCORPORATED AND SHOULD NOT BE USED WITHOUT WRITTEN PERMISSION