



Chipsmall Limited consists of a professional team with an average of over 10 year of expertise in the distribution of electronic components. Based in Hongkong, we have already established firm and mutual-benefit business relationships with customers from,Europe,America and south Asia,supplying obsolete and hard-to-find components to meet their specific needs.

With the principle of “Quality Parts,Customers Priority,Honest Operation,and Considerate Service”,our business mainly focus on the distribution of electronic components. Line cards we deal with include Microchip,ALPS,ROHM,Xilinx,Pulse,ON,Everlight and Freescale. Main products comprise IC,Modules,Potentiometer,IC Socket,Relay,Connector.Our parts cover such applications as commercial,industrial, and automotives areas.

We are looking forward to setting up business relationship with you and hope to provide you with the best service and solution. Let us make a better world for our industry!



Contact us

Tel: +86-755-8981 8866 Fax: +86-755-8427 6832

Email & Skype: info@chipsmall.com Web: www.chipsmall.com

Address: A1208, Overseas Decoration Building, #122 Zhenhua RD., Futian, Shenzhen, China



MATERIALS AND FINISHES

BODY STAINLESS STEEL
PASSIVATE

CENTER CONTACT BERYLLIUM COPPER
PLATED GOLD

INSULATOR TEFLON

SCREW STEEL

ϕ 1.600 ± 0.025
.063 ± 0.001
2 PLACES
THRU

7.16 ± 0.05
.282 ± 0.002

3.58 ± 0.05
.141 ± 0.002
2 PLACES

GROUND
PAD

ϕ 4.32
.170
GROUND PAD
MINIMUM

ϕ 2.57 ± 0.05
.101 ± 0.002
GROUND PAD

0.76 ± 0.08
 ϕ .030 ± 0.003
SIGNAL
PAD

SIGNAL PAD

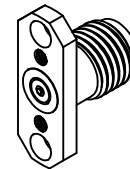
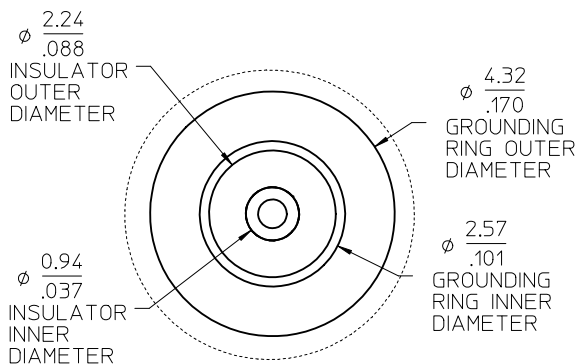
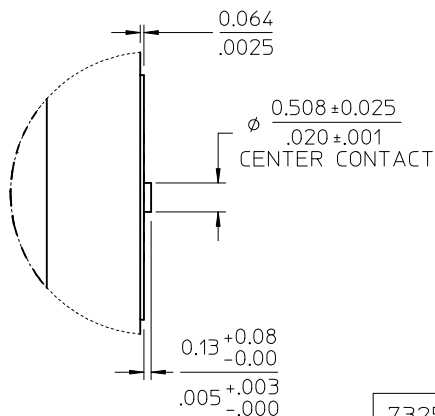
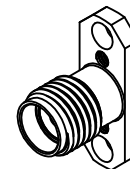
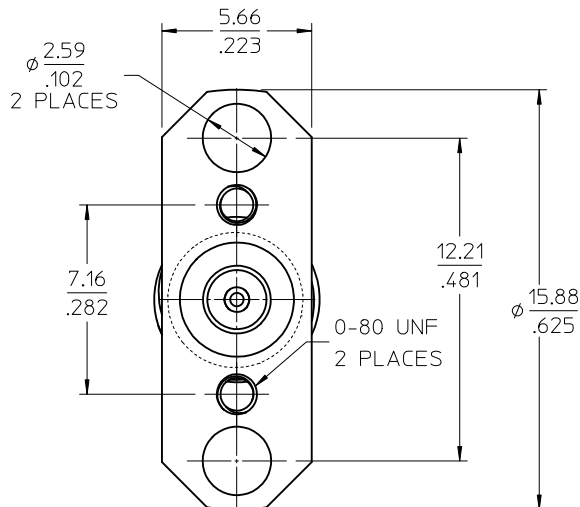
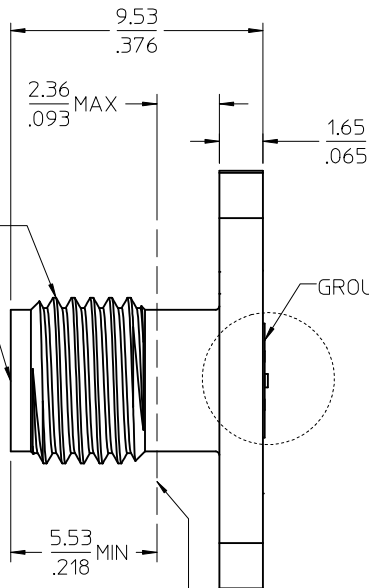
RECOMMENDED PCB LAYOUT

1/4-36 UNS-2A

SMA JACK
INTERFACE

GROUNDING RING

MOUNTING SCREWS MUST NOT
EXTEND BEYOND THIS POINT



PS-89675-3460	ELECTO/MECH PERFOR
MIL-STD-348A, FIG 310-2	INTERFACE
SPECIFICATION	DESCRIPTION

73251-1852	P/N 73251-1850, ONE PER BAG
73251-1850	WITHOUT SCREWS
PART NO.	DESCRIPTION

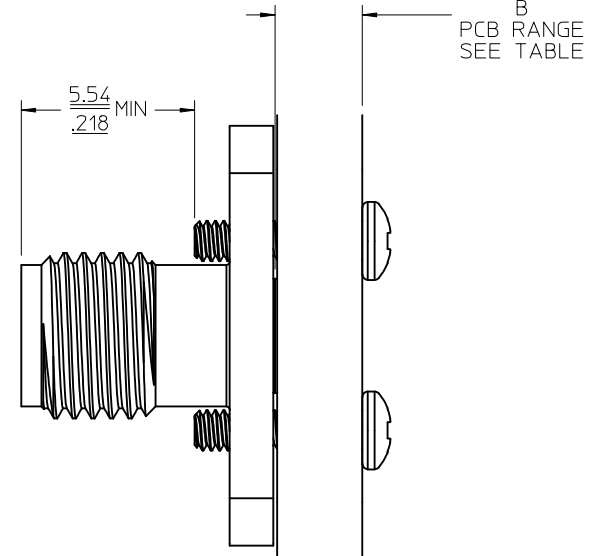
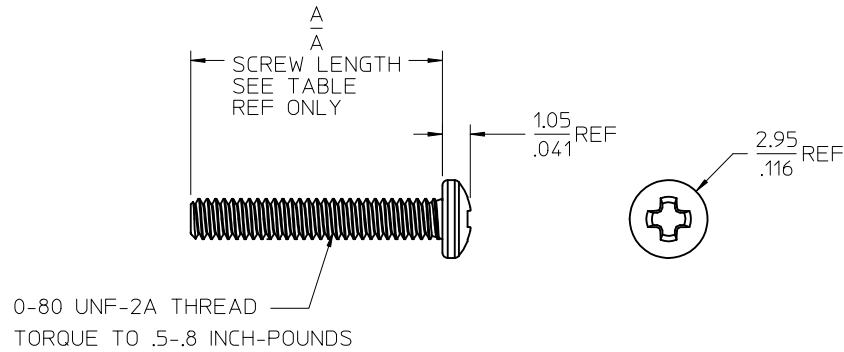
<p>CHG: ADDED -1856</p> <p>EC NO: URF2012-0425</p> <p>DRWN: JWENER 2012/01/16</p> <p>CHKD: SSS 2012/01/16</p> <p>APPR: JWENER 2012/01/17</p>	<p>QUALITY SYMBOLS</p> <p>▽=0</p> <p>▽=0</p>	<p>GENERAL TOLERANCES (UNLESS SPECIFIED)</p> <table border="1"> <tr> <th></th> <th>mm</th> <th>INCH</th> </tr> <tr> <td>4 PLACES</td> <td>± .005</td> <td>± .0002</td> </tr> <tr> <td>3 PLACES</td> <td>± .003</td> <td>± .0001</td> </tr> <tr> <td>2 PLACES</td> <td>± .002</td> <td>± .00005</td> </tr> <tr> <td>1 PLACE</td> <td>± .001</td> <td>± .00002</td> </tr> </table>		mm	INCH	4 PLACES	± .005	± .0002	3 PLACES	± .003	± .0001	2 PLACES	± .002	± .00005	1 PLACE	± .001	± .00002	<p>DIMENSION STYLE</p> <p>MM/IN</p>	<p>SCALE</p> <p>DESIGN UNITS</p> <p>METRIC</p>	<p>THIRD ANGLE PROJECTION</p>
			mm	INCH																
		4 PLACES	± .005	± .0002																
		3 PLACES	± .003	± .0001																
2 PLACES	± .002	± .00005																		
1 PLACE	± .001	± .00002																		
<p>DRAFT WHERE APPLICABLE MUST REMAIN WITHIN DIMENSIONS</p>	<p>ANGULAR ± 2 °</p>	<p>DRAWN BY</p> <p>DATE</p> <p>GMH 2003/04/21</p>	<p>TITLE</p> <p>SMA JACK, 2H FLG WITH 0-80 THD, 50 OHM 27 GHZ SMA-JR/F EWR-1995</p>	<p>MOLEX</p> <p>MOLEX INCORPORATED</p>	<p>SHEET NO.</p> <p>1 OF 3</p>															
<p>B14</p>	<p>REV</p>	<p>MATERIAL NO.</p> <p>SEE TABLE</p>	<p>DOCUMENT NO.</p> <p>SD-73251-185</p>	<p>THIS DRAWING CONTAINS INFORMATION THAT IS PROPRIETARY TO MOLEX INCORPORATED AND SHOULD NOT BE USED WITHOUT WRITTEN PERMISSION</p>																

MATERIALS AND FINISHES

SEE SHEET 1

PCB LAYOUT

SEE SHEET 1



73251-1856	4.8 / .19	.062+.060/-.01	1.57+1.52/-.25	2	SINGLE BAG
73251-1855	3.18/.125	.055+.00/-.045	1.40+0.00/-1.14	2	TRAY
73251-1854	9.53/.375	.255+.060/-.02	6.48+1.52/-.51	2	TRAY
73251-1853	6.4/.25	.130+.060/-.01	3.30+1.52/-.25	2	TRAY
73251-1851	4.8/.19	.062+.060/-.01	1.57+1.52/-.25	2	TRAY
PART NO.	(MM/IN)	IN	MM	SCREWS (QYT)	PACKAGING
	DIM A	DIM B			

CHG: SEE SHT 1 EC NO: URF2012-0425 DRWN: JWIENER 2012/01/16 CHKD: SSS 2012/01/16 APPR: JWIENER 2012/01/17	QUALITY SYMBOLS ▽=0 ▽=0	DESCRIPTION B14	GENERAL TOLERANCES (UNLESS SPECIFIED)	DIMENSION STYLE MM/IN	SCALE METRIC	DESIGN UNITS METRIC	THIRD ANGLE PROJECTION
			4 PLACES ± --- ± --- 3 PLACES ± --- ± --- 2 PLACES ± --- ± --- 1 PLACE ± --- ± --- ANGULAR ± 2 °	DRAWN BY DATE GMH 2003/04/21 CHECKED BY DATE SSS 2003/04/21 APPROVED BY DATE JWIENER 2010/06/09	TITLE SMA JACK, 2H FLG WITH 0-80 THD, 50 OHM 27 GHZ SMA-JR/F EWR-1995	MATERIAL NO. SEE TABLE	DOCUMENT NO. SD-73251-185

DRAFT WHERE APPLICABLE
MUST REMAIN
WITHIN DIMENSIONS

SIZE C

THIS DRAWING CONTAINS INFORMATION THAT IS PROPRIETARY TO MOLEX INCORPORATED AND SHOULD NOT BE USED WITHOUT WRITTEN PERMISSION

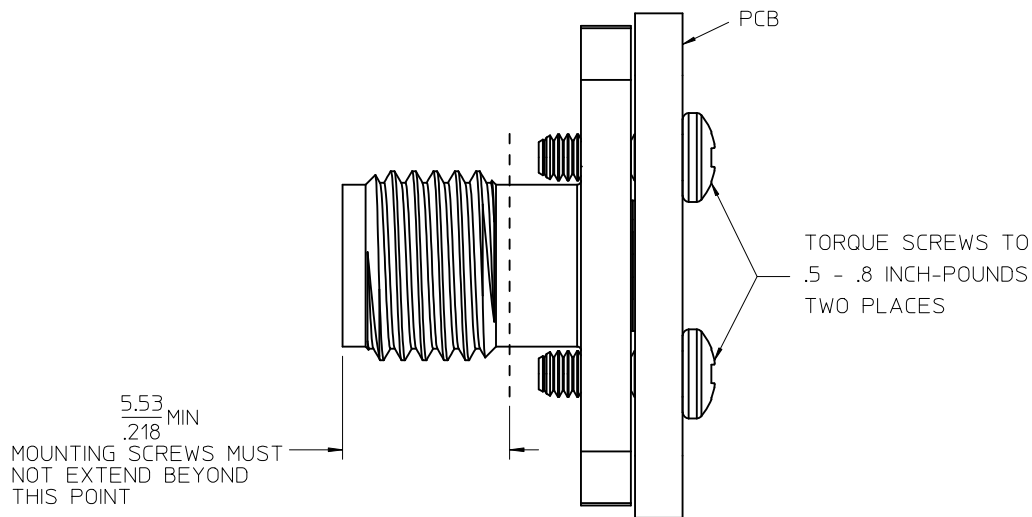
ADDITIONAL APPLICATION NOTES / ASSEMBLY INSTRUCTIONS

1. SEE SHEET ONE FOR SUGGESTED PCB LAYOUT. HEIGHT OF GROUND AND SIGNAL PADS MUST BE EVEN WITHIN ±.038 (.0015).

2. SECURE CONNECTOR TO BOARD BY THREADING TWO 0-80 SCREWS FROM BOTTOM SIDE OF BOARD THROUGH CONNECTOR HOLES TO INDICATED TORQUE (SEE FIGURE).

DO NOT SOLDER CONNECTOR TO BOARD.

3. ONCE CONNECTOR IS MOUNTED TO BOARD ANY LOOSENING OR REMOVAL OF SCREWS CAN AND/OR WILL CAUSE CONNECTOR TO NO LONGER FUNCTION AS DESIGNED.



CHG: SEE SHEET 1	2012/01/16
EC NO: URF2012-0425	2012/01/16
DRWN: JWIENER	2012/01/16
CHKD: SSS	2012/01/16
APPR: JWIENER	2012/01/17
REV	DESCRIPTION
B14	

QUALITY SYMBOLS
▽=0
▽=0

GENERAL TOLERANCES (UNLESS SPECIFIED)	mm	INCH
4 PLACES	± .005	± .0002
3 PLACES	± .005	± .0002
2 PLACES	± .005	± .0002
1 PLACE	± .005	± .0002
ANGULAR ± 2 °		
DRAFT WHERE APPLICABLE MUST REMAIN WITHIN DIMENSIONS		

DIMENSION STYLE		SCALE	DESIGN UNITS	THIRD ANGLE PROJECTION
MM/IN			METRIC	
DRAWN BY	DATE	TITLE		
GMH	2003/04/21	SMA JACK, 2H FLG WITH 0-80 THD, 50 OHM 27 GHZ SMA-JR/F EWR-1995		
CHECKED BY	DATE	MOLEX MOLEX INCORPORATED		
SSS	2003/04/21	MATERIAL NO. SEE TABLE DOCUMENT NO. SD-73251-185 SHEET NO. 3 OF 3		
APPROVED BY	DATE	THIS DRAWING CONTAINS INFORMATION THAT IS PROPRIETARY TO MOLEX INCORPORATED AND SHOULD NOT BE USED WITHOUT WRITTEN PERMISSION		
JWIENER	2010/06/09			