



Chipsmall Limited consists of a professional team with an average of over 10 year of expertise in the distribution of electronic components. Based in Hongkong, we have already established firm and mutual-benefit business relationships with customers from,Europe,America and south Asia,supplying obsolete and hard-to-find components to meet their specific needs.

With the principle of “Quality Parts,Customers Priority,Honest Operation,and Considerate Service”,our business mainly focus on the distribution of electronic components. Line cards we deal with include Microchip,ALPS,ROHM,Xilinx,Pulse,ON,Everlight and Freescale. Main products comprise IC,Modules,Potentiometer,IC Socket,Relay,Connector.Our parts cover such applications as commercial,industrial, and automotives areas.

We are looking forward to setting up business relationship with you and hope to provide you with the best service and solution. Let us make a better world for our industry!



Contact us

Tel: +86-755-8981 8866 Fax: +86-755-8427 6832

Email & Skype: info@chipsmall.com Web: www.chipsmall.com

Address: A1208, Overseas Decoration Building, #122 Zhenhua RD., Futian, Shenzhen, China



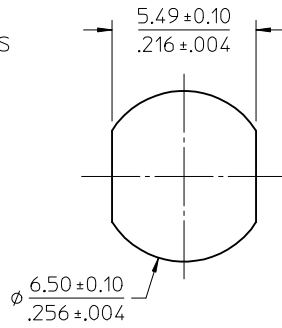
MATERIALS AND FINISHES

BODY, JAM NUT, FLAT WASHER: BRASS
PLATED: GOLD

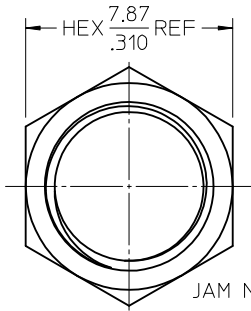
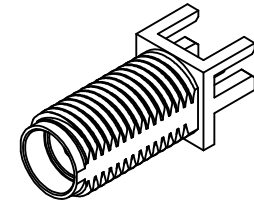
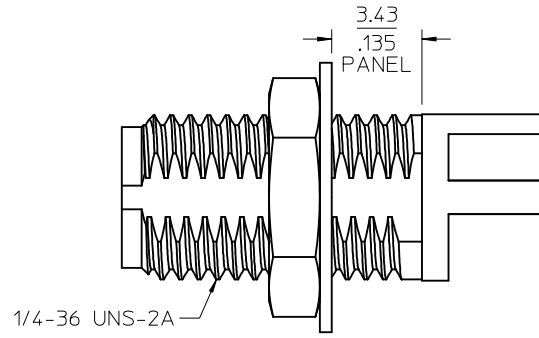
CENTER CONTACT: BeCu
PLATED: GOLD

INSULATOR: TEFLON

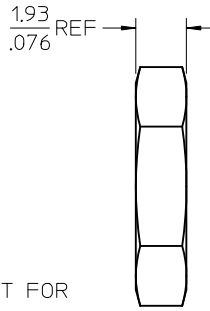
LOCKWASHER: PHOSPHOR BRONZE
PLATED: GOLD



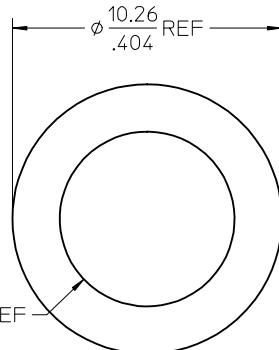
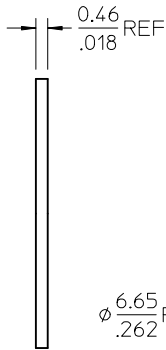
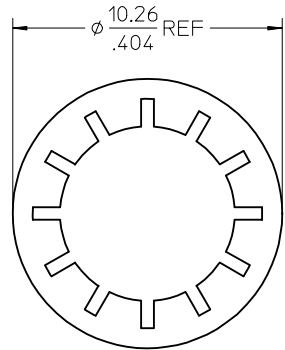
RECOMMENDED PANEL CUTOUT



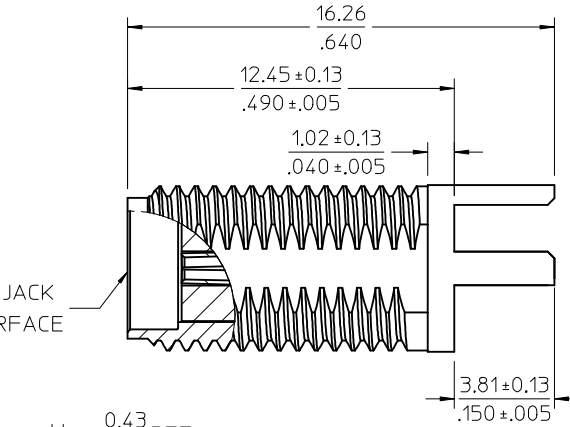
JAM NUT FOR
73251-2121 & -2122



LOCK WASHER FOR
73251-2121 ONLY



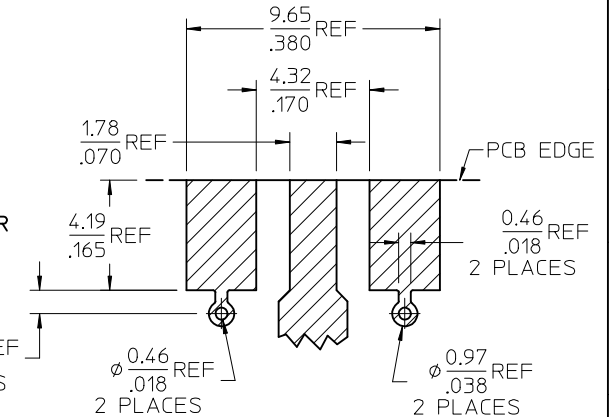
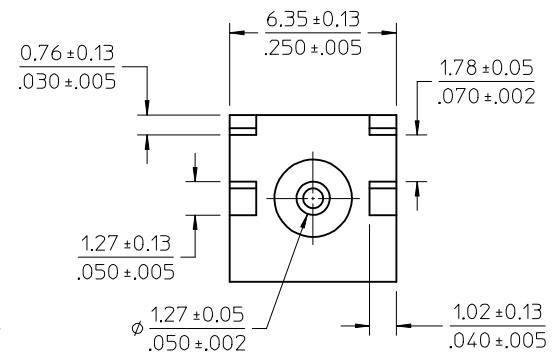
FLAT WASHER FOR
73251-2122 ONLY



SMA JACK
INTERFACE

RECOMMENDED PAD LAYOUT

BASE WIDTH: 6.35(.250) NOM.
BOARD THICKNESS: 1.57(.062) NOM.
BOARD MATERIAL: FR4 W/1.0 OZ COPPER
BOTH SIDES



73251-2123	ONE PIECE -2120 WITHOUT HARDWARE PER BAG
73251-2122	-2120 W/JAM NUT & FLAT WASHER / TRAY PACKING
73251-2121	-2120 W/JAM NUT & LOCK WASHER / TRAY PACKING
73251-2120	-2120 WITHOUT HARDWARE / TRAY PACKING
PART NO.	DESCRIPTION
PS-89675-3460	PRODUCT SPECIFICATION
MIL-STD-348A, FIG. 310.2	INTERFACE
SPECIFICATION	DESCRIPTION

CHG: REGENERATED DWG & ADDED TOLERANCE PER RF13-E072	DATE: 2012/12/12
EC NO: URF2013-0355	
DRW:RYEH	
CHKD:	
APPR:MHUANG	
REV	DESCRIPTION
A5	

QUALITY SYMBOLS	GENERAL TOLERANCES (UNLESS SPECIFIED)	DIMENSION STYLE	SCALE	DESIGN UNITS	THIRD ANGLE PROJECTION
▽=0	mm INCH	MM/IN	7:1	METRIC	
▽=0	4 PLACES ± --- ± ---	DRAWN BY	DATE	TITLE	
▽=0	3 PLACES ± --- ± ---	SSS	2003/07/09	SMA JACK, EDGE MOUNT	
	2 PLACES ± --- ± ---	CHECKED BY	DATE	.062 BOARD, 50 OHMS,	
	1 PLACE ± --- ± ---	TEF	2003/07/09	EW-2074 SMA-J/PCB	
	0 PLACE ± ±	APPROVED BY	DATE		
	ANGULAR ± 2 °	JWIENER	2010/10/27		
	DRAFT WHERE APPLICABLE MUST REMAIN WITHIN DIMENSIONS	MATERIAL NO.	DOCUMENT NO.	molex	
		SEE TABLE	SD-73251-212	SHEET NO. 1 OF 1	
		SIZE C	THIS DRAWING CONTAINS INFORMATION THAT IS PROPRIETARY TO MOLEX INCORPORATED AND SHOULD NOT BE USED WITHOUT WRITTEN PERMISSION		