



Chipsmall Limited consists of a professional team with an average of over 10 year of expertise in the distribution of electronic components. Based in Hongkong, we have already established firm and mutual-benefit business relationships with customers from,Europe,America and south Asia,supplying obsolete and hard-to-find components to meet their specific needs.

With the principle of “Quality Parts,Customers Priority,Honest Operation,and Considerate Service”,our business mainly focus on the distribution of electronic components. Line cards we deal with include Microchip,ALPS,ROHM,Xilinx,Pulse,ON,Everlight and Freescale. Main products comprise IC,Modules,Potentiometer,IC Socket,Relay,Connector.Our parts cover such applications as commercial,industrial, and automotives areas.

We are looking forward to setting up business relationship with you and hope to provide you with the best service and solution. Let us make a better world for our industry!



Contact us

Tel: +86-755-8981 8866 Fax: +86-755-8427 6832

Email & Skype: info@chipsmall.com Web: www.chipsmall.com

Address: A1208, Overseas Decoration Building, #122 Zhenhua RD., Futian, Shenzhen, China



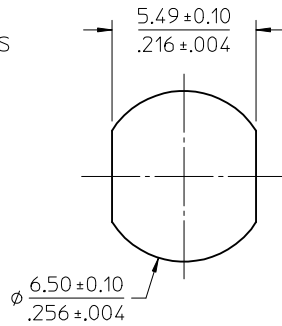
MATERIALS AND FINISHES

BODY, JAM NUT, FLAT WASHER: BRASS
PLATED: GOLD

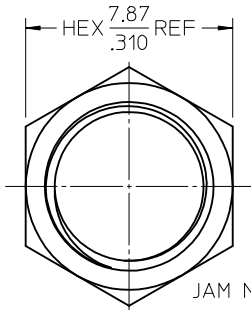
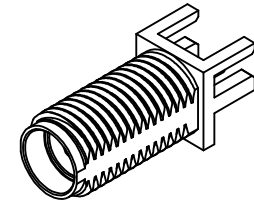
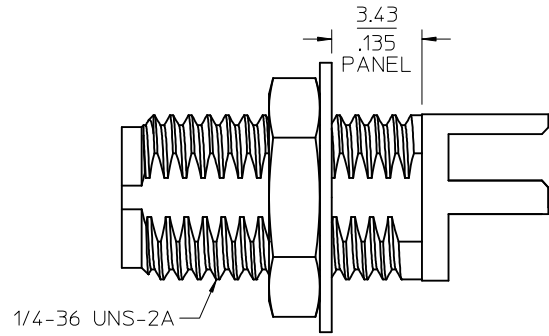
CENTER CONTACT: BeCu
PLATED: GOLD

INSULATOR: TEFLON

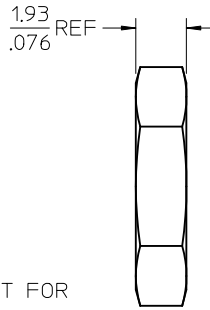
LOCKWASHER: PHOSPHOR BRONZE
PLATED: GOLD



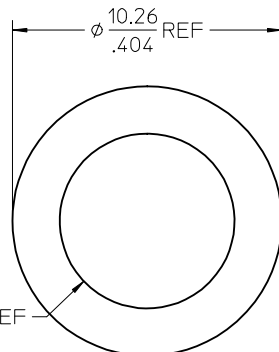
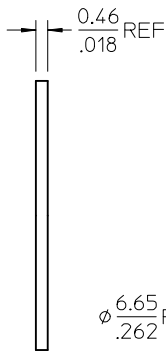
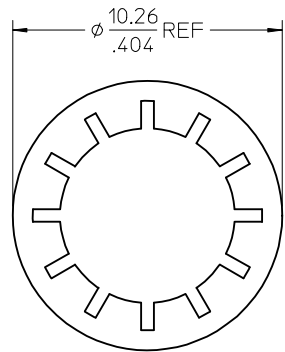
RECOMMENDED PANEL CUTOUT



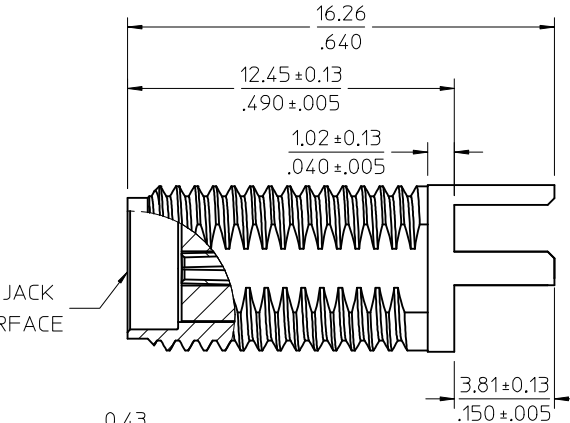
JAM NUT FOR
73251-2121 & -2122



LOCK WASHER FOR
73251-2121 ONLY



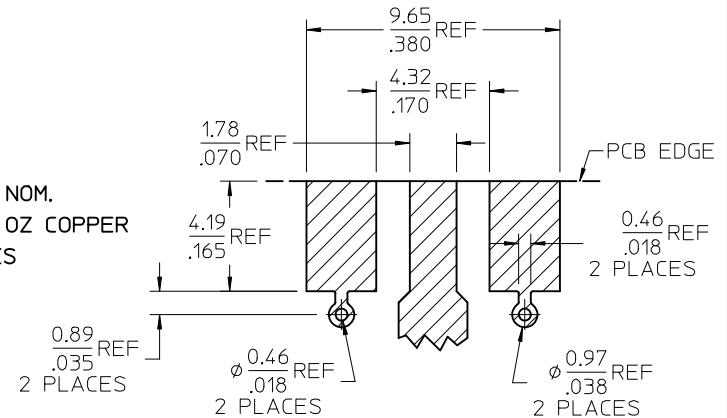
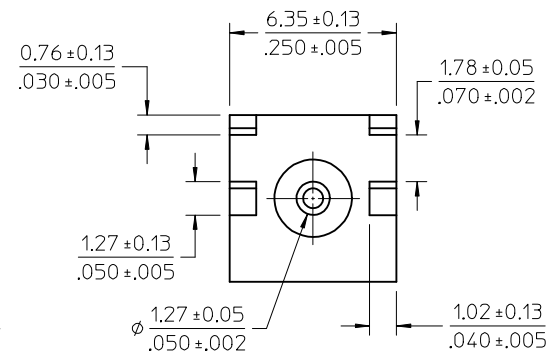
FLAT WASHER FOR
73251-2122 ONLY



SMA JACK
INTERFACE

RECOMMENDED PAD LAYOUT

BASE WIDTH: 6.35(.250) NOM.
BOARD THICKNESS: 1.57(.062) NOM.
BOARD MATERIAL: FR4 W/1.0 OZ COPPER
BOTH SIDES



73251-2123	ONE PIECE -2120 WITHOUT HARDWARE PER BAG
73251-2122	-2120 W/JAM NUT & FLAT WASHER / TRAY PACKING
73251-2121	-2120 W/JAM NUT & LOCK WASHER / TRAY PACKING
73251-2120	-2120 WITHOUT HARDWARE / TRAY PACKING
PART NO.	DESCRIPTION
PS-89675-3460	PRODUCT SPECIFICATION
MIL-STD-348A, FIG. 310.2	INTERFACE
SPECIFICATION	DESCRIPTION

CHG: REGENERATED DWG & ADDED TOLERANCE PER RF13-E072	EC NO.: URF2013-0355	2012/12/12
DRW:RYEH	CHKD:	
APPR:MHUANG	DESCRIPTION	
REV		

QUALITY SYMBOLS	GENERAL TOLERANCES (UNLESS SPECIFIED)
▽=0	mm INCH
▽=0	4 PLACES ± --- ± ---
▽=0	3 PLACES ± --- ± ---
	2 PLACES ± --- ± ---
	1 PLACE ± --- ± ---
	0 PLACE ± ±
	ANGULAR ± 2 °
	DRAFT WHERE APPLICABLE MUST REMAIN WITHIN DIMENSIONS

DIMENSION STYLE	SCALE	DESIGN UNITS	THIRD ANGLE PROJECTION
MM/IN	7:1	METRIC	
DRAWN BY	DATE	TITLE	
SSS	2003/07/09	SMA JACK, EDGE MOUNT	
CHECKED BY	DATE	.062 BOARD, 50 OHMS,	
TEF	2003/07/09	EW-2074 SMA-J/PCB	
APPROVED BY	DATE		
JWIENER	2010/10/27		
MATERIAL NO.	DOCUMENT NO.		
SEE TABLE	SD-73251-212		
SIZE			
C			

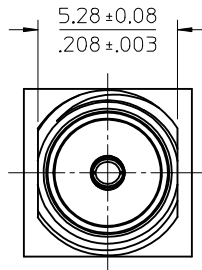
SHEET NO.	1 OF 1

MATERIALS AND FINISHES

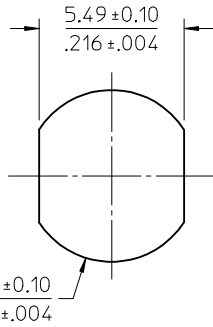
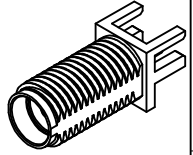
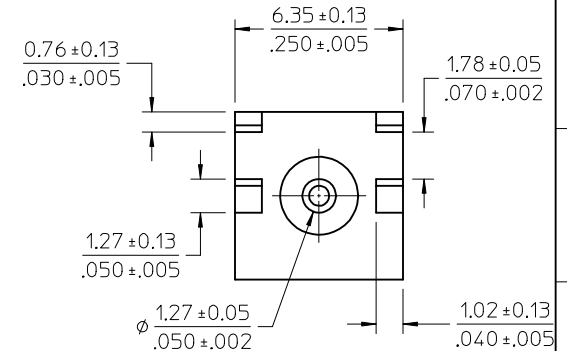
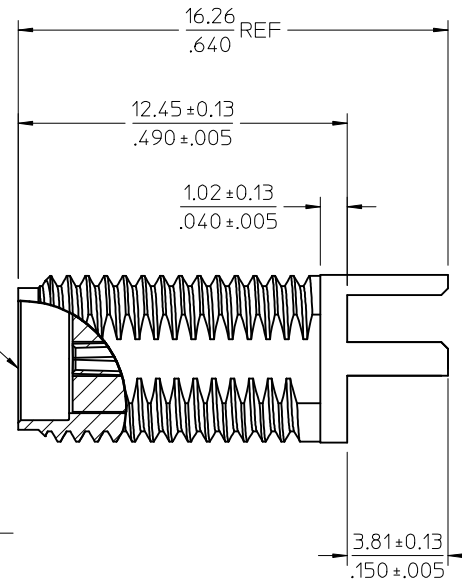
BODY: BRASS
 PLATED: NICKEL

CENTER CONTACT: BERYLLIUM COPPER
 PLATED: GOLD

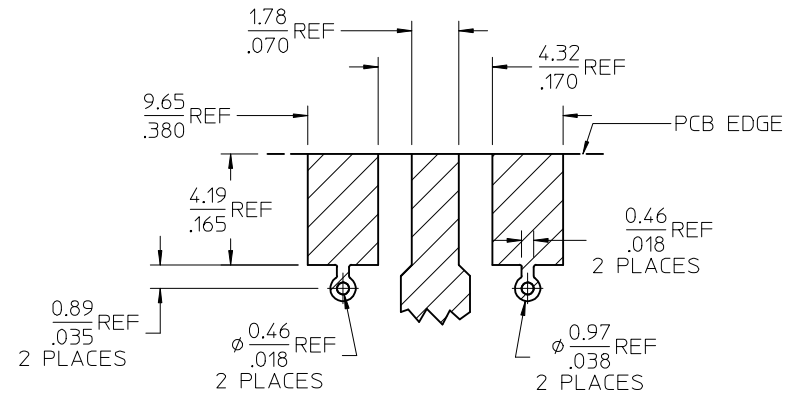
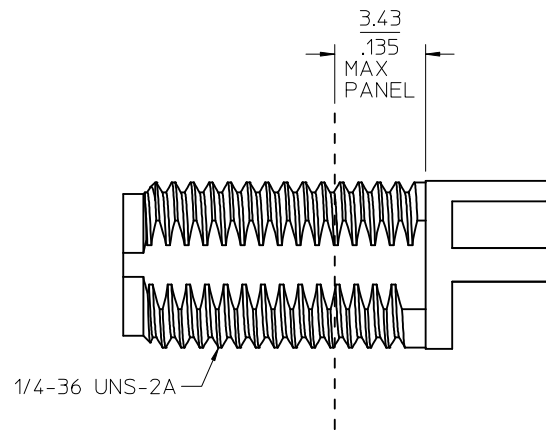
INSULATOR: PTFE



SMA JACK
 INTERFACE



RECOMMENDED PANEL CUTOUT



RECOMMENDED PAD LAYOUT:
 BASE WIDTH: 6.35(.250) NOM.
 BOARD THICKNESS: 1.57(.062) NOM.
 BOARD MATERIAL: FR4 W/1.0 OZ COPPER
 BOTH SIDES

PART # 73251-9340

PS-89675-3460	PRODUCT SPECIFICATION
MIL-STD-348A, FIG. 310.2	INTERFACE
SPECIFICATION	DESCRIPTION

CHG: NEW RELEASE	EC NO: URF2014-0585 DRWN: JLEE02 2014/04/14 CHKD: SSS 2014/04/14 APPR: WSPINK	QUALITY SYMBOLS ∇=0 ∇=0 ∇=0	GENERAL TOLERANCES (UNLESS SPECIFIED)		DIMENSION STYLE	SCALE	DESIGN UNITS	THIRD ANGLE PROJECTION
			mm	INCH	MM/IN	INCH	INCH	DRAWN BY: AROBERTSON CHECKED BY: WSPINK APPROVED BY: WSPINK DATE: 2014/04/08
CHG: NEW RELEASE EC NO: URF2014-0585 DRWN: JLEE02 2014/04/14 CHKD: SSS 2014/04/14 APPR: WSPINK			ANGULAR ± 2° DRAFT WHERE APPLICABLE MUST REMAIN WITHIN DIMENSIONS		MATERIAL NO. SEE TABLE	THIS DRAWING CONTAINS INFORMATION THAT IS PROPRIETARY TO MOLEX. INCORPORATED AND SHOULD NOT BE USED WITHOUT WRITTEN PERMISSION		