



Chipsmall Limited consists of a professional team with an average of over 10 year of expertise in the distribution of electronic components. Based in Hongkong, we have already established firm and mutual-benefit business relationships with customers from,Europe,America and south Asia,supplying obsolete and hard-to-find components to meet their specific needs.

With the principle of “Quality Parts,Customers Priority,Honest Operation,and Considerate Service”,our business mainly focus on the distribution of electronic components. Line cards we deal with include Microchip,ALPS,ROHM,Xilinx,Pulse,ON,Everlight and Freescale. Main products comprise IC,Modules,Potentiometer,IC Socket,Relay,Connector.Our parts cover such applications as commercial,industrial, and automotives areas.

We are looking forward to setting up business relationship with you and hope to provide you with the best service and solution. Let us make a better world for our industry!



Contact us

Tel: +86-755-8981 8866 Fax: +86-755-8427 6832

Email & Skype: info@chipsmall.com Web: www.chipsmall.com

Address: A1208, Overseas Decoration Building, #122 Zhenhua RD., Futian, Shenzhen, China



MATERIALS AND FINISHES

BODY, SLEEVE, WASHER STAINLESS STEEL
PASSIVATED

CENTER CONTACT
PLATED GOLD

OUTER CONTACT BERYLLIUM COPPER
PLATED NICKEL

INSULATOR TEFLON

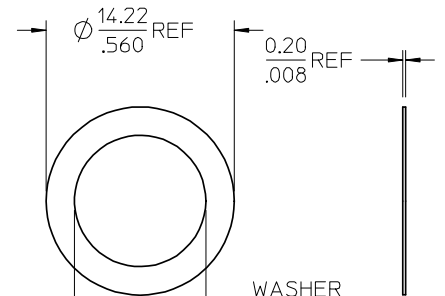
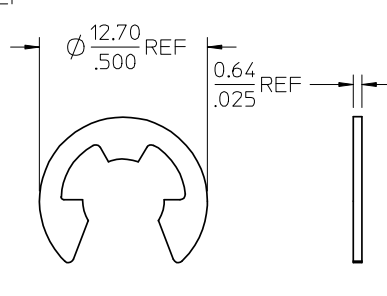
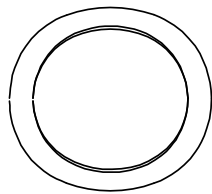
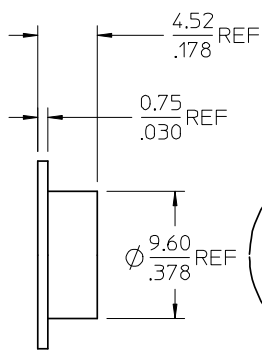
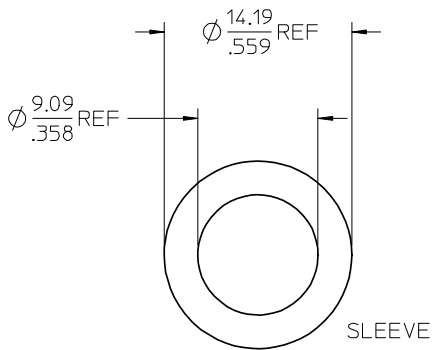
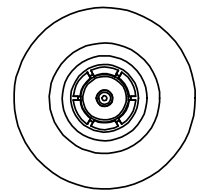
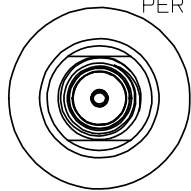
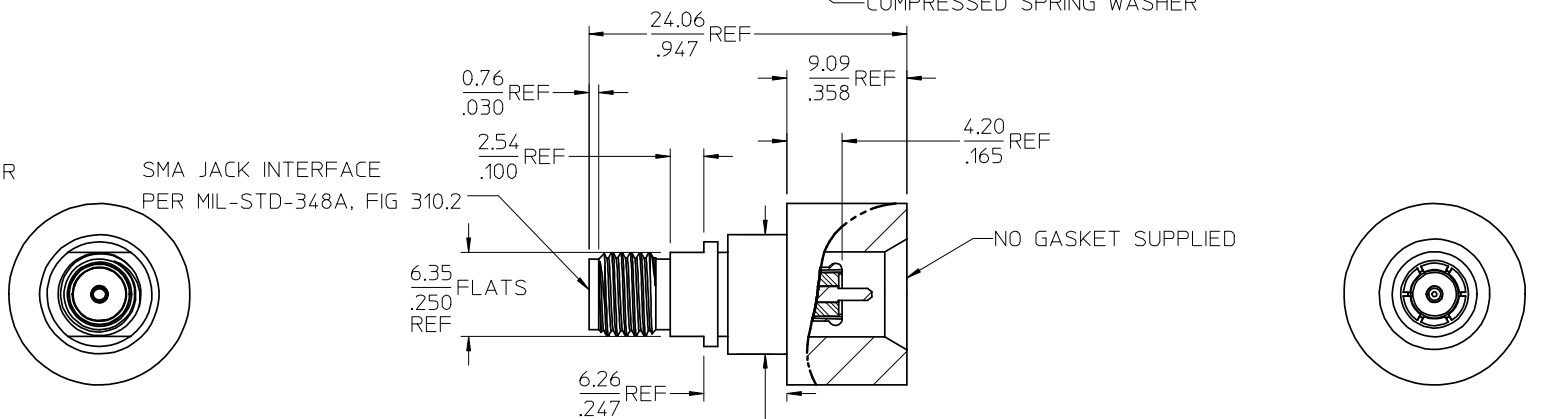
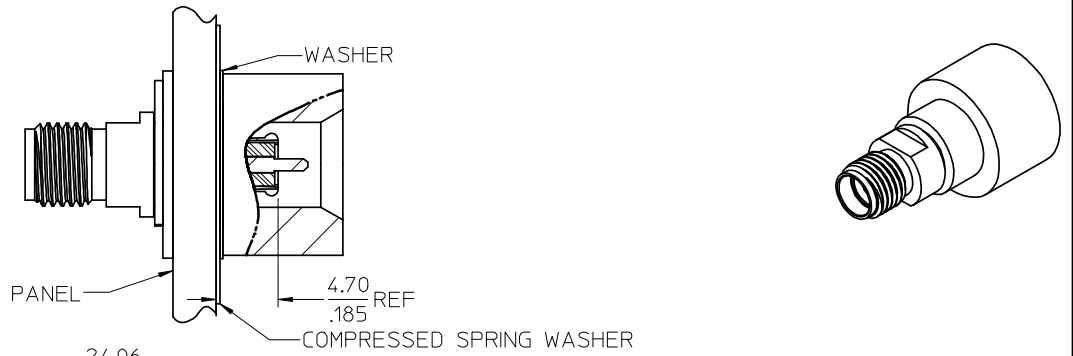
CLIP CARBON SPRING STEEL
PLATED NICKEL

WAVE WASHER BERYLLIUM COPPER
PLATED NICKEL

ELECTRICAL PERFORMANCE:

VSWR: 1.50 MAX TO 18 GHz

SMA JACK INTERFACE
PER MIL-STD-348A, FIG 310.2



SPRING WASHER

CLIP

WASHER

PART # 73251-2130 INCLUDES MOUNTING HARDWARE (PACKAGE BY BAG/1 PCS)

PART # 73251-2131 DOES NOT INCLUDE MOUNTING HARDWARE (PACKAGE BY BAG/1 PCS)

CHG: ADDED PACKAGE

EC NO: URF2008-0540
2008/04/29
DRAWN IN: DRWINELIN
CHKD: 2008/04/30
APPR: MHUANG
2008/04/30

DESCRIPTION
REV: B1

QUALITY SYMBOLS
▽=0
▽=0

GENERAL TOLERANCES (UNLESS SPECIFIED)
mm INCH
4 PLACES ± --- ± ---
3 PLACES ± --- ± ---
2 PLACES ± --- ± ---
1 PLACE ± --- ± ---
ANGULAR ± 2 °

DIMENSION STYLE MM/IN
DRAWN BY DATE
TEF 2003/05/16
CHECKED BY DATE
SSS 2003/05/16
APPROVED BY DATE
GMH 2003/05/16
MATERIAL NO.
SEE NOTE
SIZE C

SCALE DESIGN UNITS METRIC
THIRD ANGLE PROJECTION
TITLE
SMA JACK TO SMA PLUG
MODIFIED ADAPTER 50 OHM
SMA-PJ/AD
MOLEX MOLEX INCORPORATED
DOCUMENT NO.
SD-73251-213
SHEET NO.
1 OF 1

DRAFT WHERE APPLICABLE
MUST REMAIN
WITHIN DIMENSIONS

THIS DRAWING CONTAINS INFORMATION THAT IS PROPRIETARY TO MOLEX
INCORPORATED AND SHOULD NOT BE USED WITHOUT WRITTEN PERMISSION