



Chipsmall Limited consists of a professional team with an average of over 10 year of expertise in the distribution of electronic components. Based in Hongkong, we have already established firm and mutual-benefit business relationships with customers from,Europe,America and south Asia,supplying obsolete and hard-to-find components to meet their specific needs.

With the principle of "Quality Parts,Customers Priority,Honest Operation,and Considerate Service",our business mainly focus on the distribution of electronic components. Line cards we deal with include Microchip,ALPS,ROHM,Xilinx,Pulse,ON,Everlight and Freescale. Main products comprise IC,Modules,Potentiometer,IC Socket,Relay,Connector.Our parts cover such applications as commercial,industrial, and automotives areas.

We are looking forward to setting up business relationship with you and hope to provide you with the best service and solution. Let us make a better world for our industry!



Contact us

Tel: +86-755-8981 8866 Fax: +86-755-8427 6832

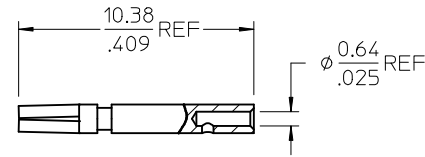
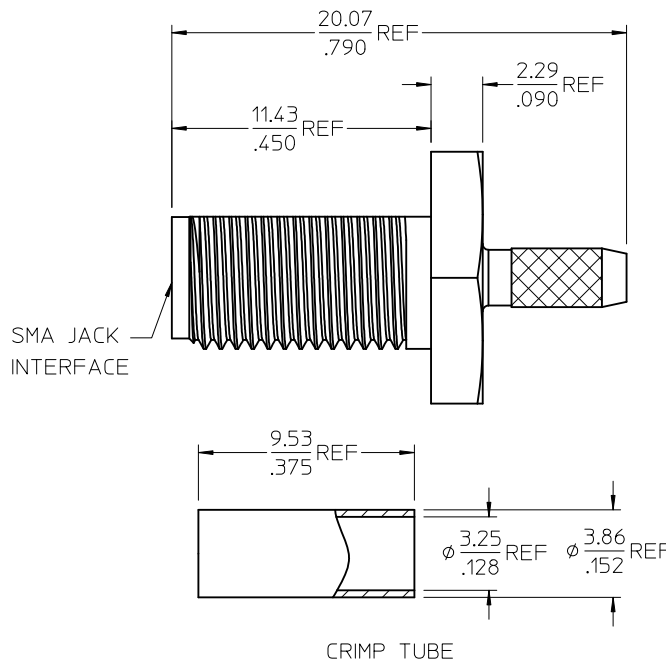
Email & Skype: info@chipsmall.com Web: www.chipsmall.com

Address: A1208, Overseas Decoration Building, #122 Zhenhua RD., Futian, Shenzhen, China

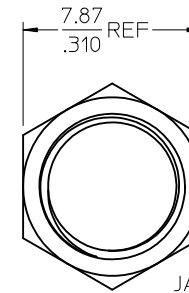
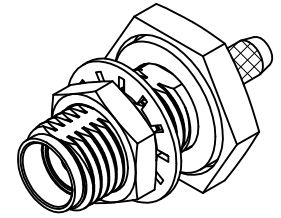


MATERIALS AND FINISHES:

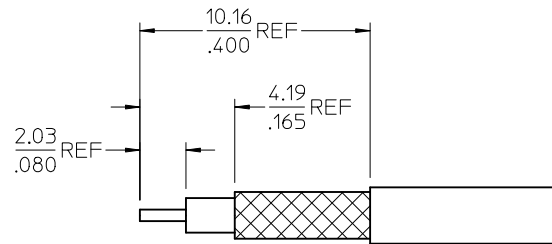
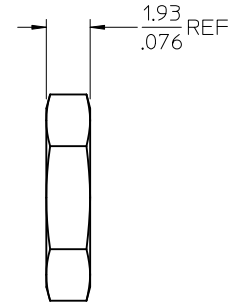
- BODY BRASS
PLATED SEE TABLE
- CONTACT BERYLLIUM COPPER
PLATED GOLD
- INSULATOR TEFLON
- GASKET SILICONE RUBBER
- LOCKWASHER PHOSPHOR BRONZE
PLATED GOLD
- JAMNUT BRASS
PLATED GOLD
- CRIMP TUBE BRASS
PLATED GOLD



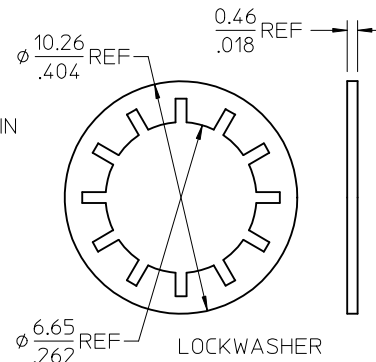
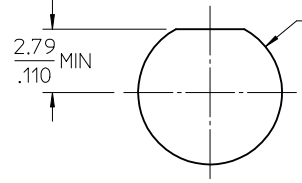
CONTACT



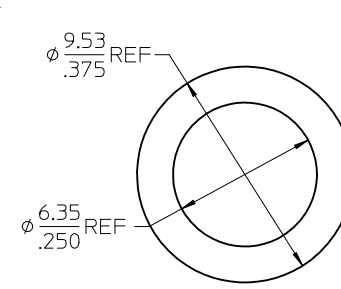
JAMNUT



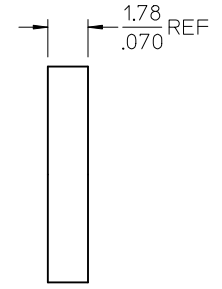
RECOMMENDED STRIP DIMENSION
CRIMP SIZE: .128 HEX



LOCKWASHER



GASKET



73251-2172	73251-2170 PACKAGED IN SINGLE BAGS
73251-2171	GOLD (5 MICROINCHES MIN) / BULK PACK
73251-2170	GOLD (1 MICROINCHES MIN) / BULK PACK
PART NO.	PLATING / PACKAGING

MIL-STD-348A, FIG. 310.2	INTERFACE
SPECIFICATION	DESCRIPTION

CHG: ADD -2172 EC NO: URF2012-0421 DRWN: WIENER 2012/01/26 CHKD: SSS 2012/01/26 APPR: WIENER 2012/01/27	QUALITY SYMBOLS ▽=0 ▽=0	GENERAL TOLERANCES (UNLESS SPECIFIED)		DIMENSION STYLE		SCALE	DESIGN UNITS	THIRD ANGLE PROJECTION	
				MM/IN			METRIC		
				DRAWN BY DATE		TITLE			
				CHECKED BY DATE					
		APPROVED BY DATE		MATERIAL NO.		DOCUMENT NO.		SHEET NO.	
		ANGULAR ± 2 °		SEE TABLE		SD-73251-217		1 OF 1	
		DRAFT WHERE APPLICABLE MUST REMAIN WITHIN DIMENSIONS		THIS DRAWING CONTAINS INFORMATION THAT IS PROPRIETARY TO MOLEX INCORPORATED AND SHOULD NOT BE USED WITHOUT WRITTEN PERMISSION					